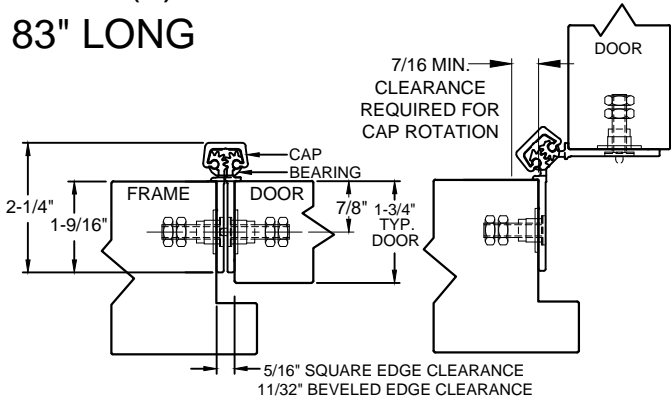


A110

WITH (2) EXPOSED CONTACTS

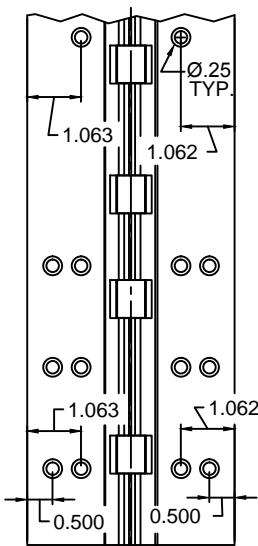
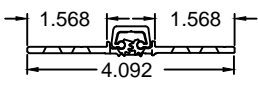
83" LONG



**WARNING: DO NOT EXCEED
RATED VOLTAGE OR AMPS**



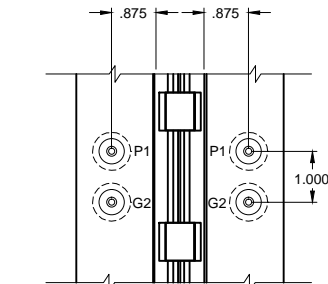
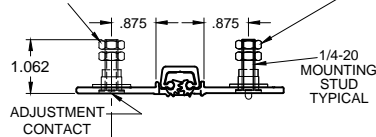
SCHMATIC



(STD/HD)
ALL DIMS ARE
TYPICAL

PROVIDES NON-CONTINUOUS CURRENT
**30V MAX. AC
42.4V MAX. DC**

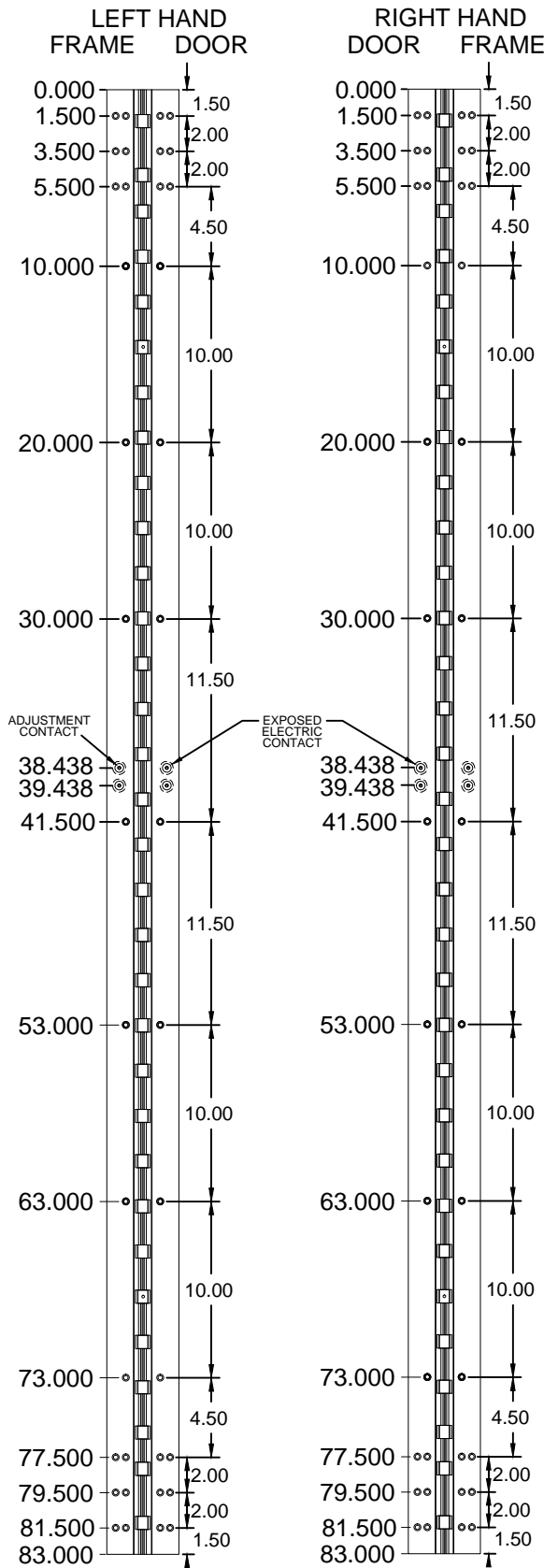
NOTE: 7/8" DIA. HOLE REQUIRED
IN JAMB FOR ELECTRIC
CONTACT AND A 7/8" DIA.
HOLE FOR CLEARANCE
OF ADJUSTMENT CONTACT



EXPOSED ELECTRIC CONTACT VIEW

**CAUTION: CHECK AND ADJUST
CONTACT CONTINUITY BEFORE
MOUNTING HINGE.**

SCREW DETAIL		
	MODEL STD/HD QTY.	DESCRIPTION
FRAME	19	12-24 X 7/8" PH. F.H. UNDERCUT SELF DRILLING THREAD FORMING TEK SCREW
DOOR	19	12-24 X 7/8" PH. F.H. UNDERCUT SELF DRILLING THREAD FORMING TEK SCREW



ALL DIMENSIONS ARE TO CENTERLINE OF HOLES
AND EXPOSED ELECTRIC CONTACT



® www.abhmfg.com
E-mail: abhinfo@abhmfg.com
Architectural Builders Hardware Mfg., Inc.
1222 Ardmore Ave., Itasca, IL 60143
630.875.9900; FAX 800.9FAXABH (932.9224)

A110HD83EC2-03.DWG

A110HD83EC2

©2017 ABH Mfg., Inc.
printed in USA

REVISED 10-27-17