

Aluminum Continuous Geared Hinge Designed for Use With Aluminum Frames With Snap-On Trim



Specifications

FEATURES:

- Full Concealed, Heavy Duty
- For use on 1-3/4" thick doors
- Used on frames with Snap-On Trim - No Reveal
- 450 lbs. door weight maximum
- Continuous frame reinforcement required - provided by frame manufacturer

Standard Lengths:

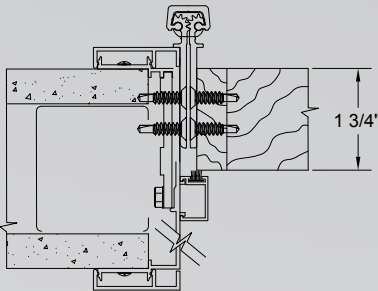
- 79" • 95"
- 83" • 120"
- 85"

Available Finishes:

- Clear
- Dark Bronze
- Black Anodized

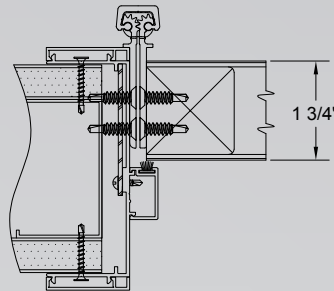
Used With:

VERSATRAC*
ABH A280



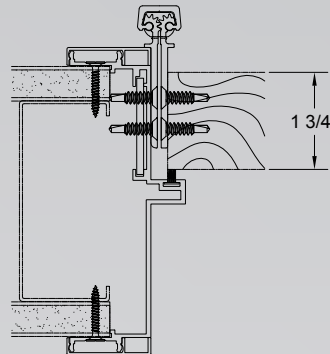
VT-2 HINGE JAMB
300, 400, 725, 90 MIN.
VERSATRIM FRAME SECTIONS

FRAMEWORKS*
ABH A280



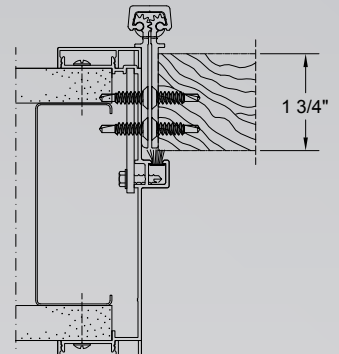
FRAMEWORKS*
TYPE 2 HINGE JAMB

WILSON PARTITIONS*
ABH A280



WILSON PARTITIONS*
487 SERIES (TYPE 2)

RACO*
ABH A280



RACO* TYPE 2
SOLUTIONS II HINGE JAMB

*Brand names are trademarks or registered trademarks of their respective companies.