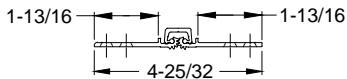
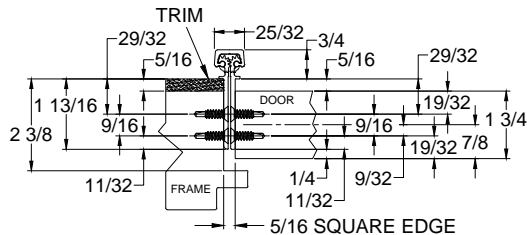
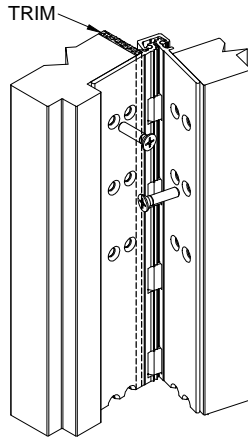
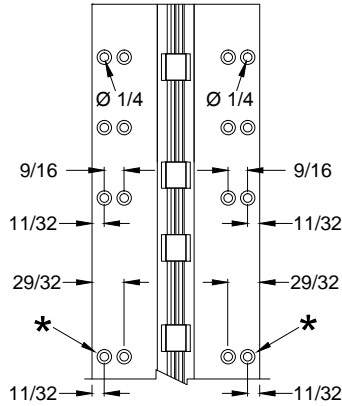


A280HD / A280LL - ALUMINUM GEARED HINGE, FOR 1-3/4" DOOR WITH ALUMINUM FRAME & SNAP ON TRIM, FULL CONCEALED

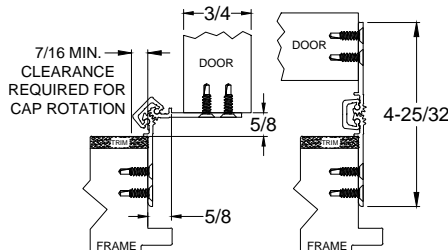


FRAME DOOR



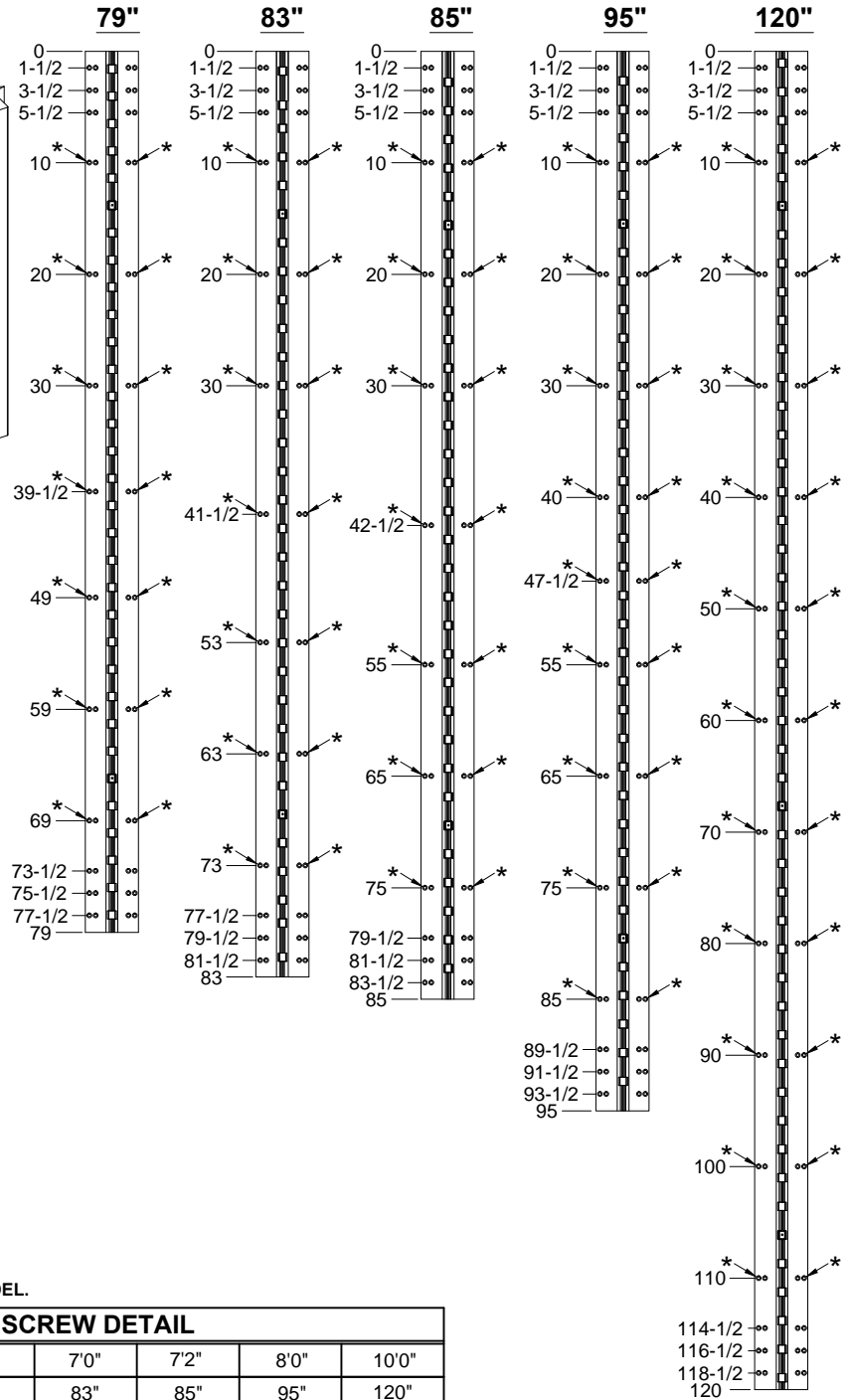
CLOSED POSITION

5/16 SQUARE EDGE
11/32 BEVELED EDGE
CLEARANCE



90° OPENING

180° OPENING



NOTES:

1. HINGES CUT TO CUSTOM LENGTH ARE CUT FROM THE BOTTOM. PLEASE SPECIFY HANDING.
2. ALL DIMENSIONS ARE IN INCHES.
3. ALL DIMENSIONS ARE TO CENTERLINE OF HOLES.
4. * = DENOTES EXTRA MOUNTING HOLE FOR THE LEAD-LINE MODEL.

STANDARD HINGE SIZES & SCREW DETAIL

		6'8"		7'0"		7'2"		8'0"		10'0"	
		79"		83"		85"		95"		120"	
		HD	LL	HD	LL	HD	LL	HD	LL	HD	LL
FRAME	12-24 x 7/8" PHILLIPS FLAT HEAD, UNDERCUT, SELF DRILLING, THREAD FORMING TEK MACHINE SCREW	19	26	19	26	19	26	21	30	23	34
DOOR	12-24 x 7/8" PHILLIPS FLAT HEAD, UNDERCUT, SELF DRILLING, THREAD FORMING TEK MACHINE SCREW	19	26	19	26	19	26	21	30	23	34

A280-ALUMINUM GEARED HINGE-1-03.DWG



www.abhmfg.com
E-mail: abhinfo@abhmfg.com
Architectural Builders Hardware Mfg., Inc.
1222 Ardmore Ave., Itasca, IL 60143
630.875.9900; FAX 800.9FAXABH (932.9224)

© 2020 ABH Mfg., Inc.
printed in USA

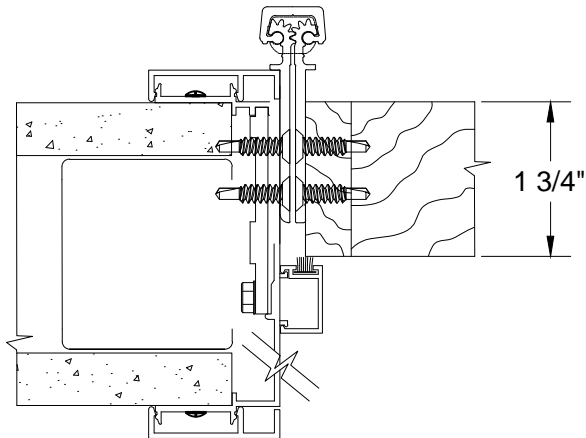
A280
ALUMINUM GEARED HINGE

PAGE 1 OF 2
ISSUED 02-25-20

A280HD / A280LL - ALUMINUM GEARED HINGE, FOR 1-3/4" DOOR WITH ALUMINUM FRAME & SNAP ON TRIM, FULL CONCEALED

A280 WITH VERSATRAC

ABH A280

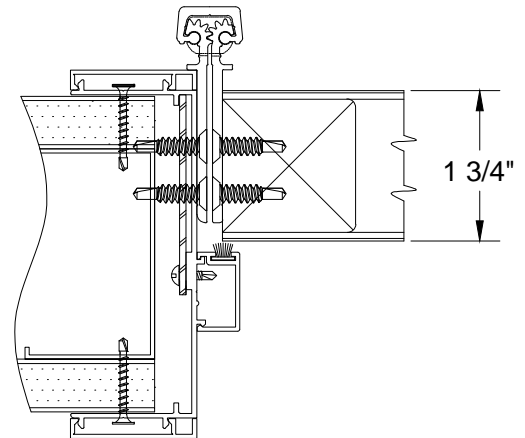


VT-2 HINGE JAMB

300, 400, 725, 90 MIN.
VERSATRIM FRAME SECTIONS

A280 WITH FRAMEWORKS

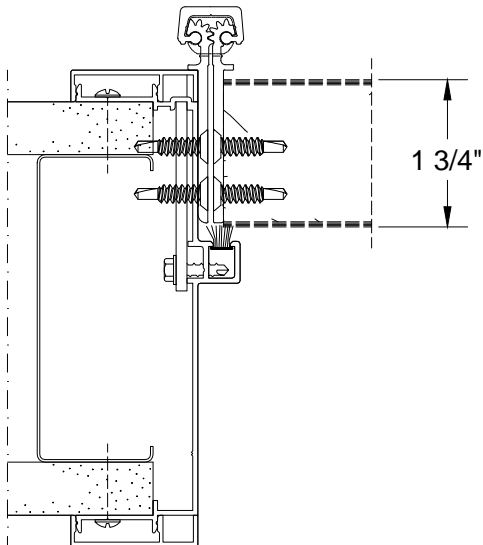
ABH A280



FRAMEWORKS TYPE 2 HINGE JAMB

A280 WITH RACO

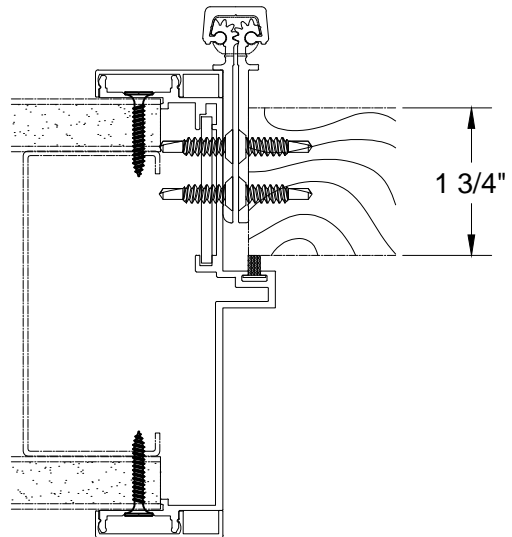
ABH A280



RACO TYPE 2, SOLUTIONS II HINGE JAMB

A280 WITH WILSON PARTITIONS

ABH A280



WILSON PARTITION - 487 Series (TYPE 2)