

A150HD - "EA" & "R" OPTION, KAWNEER, EASY ACCESS WITH REMOVABLE OPTION, CONCEALED ELECTRIFICATION, FULL CONCEALED, ALUMINUM GEARED HINGE

***79"**

83"

***85"**

***95"**

120"

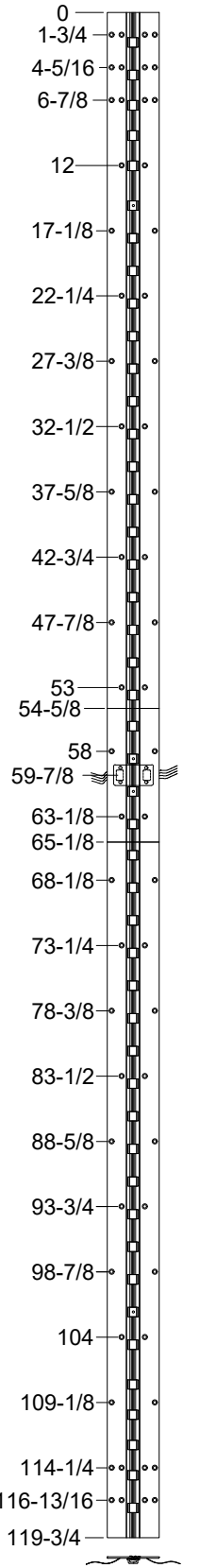
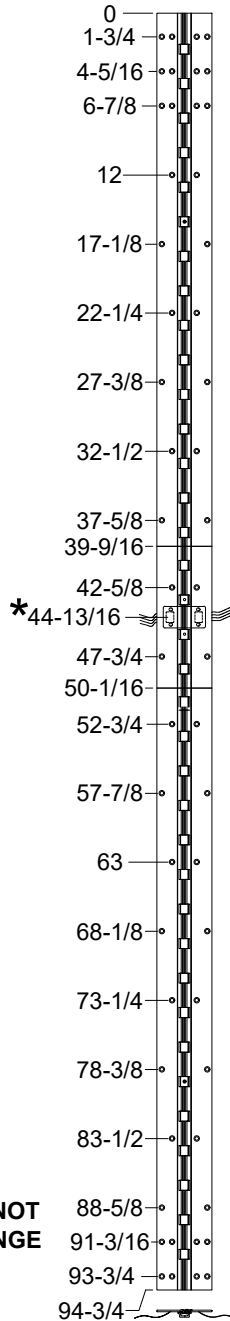
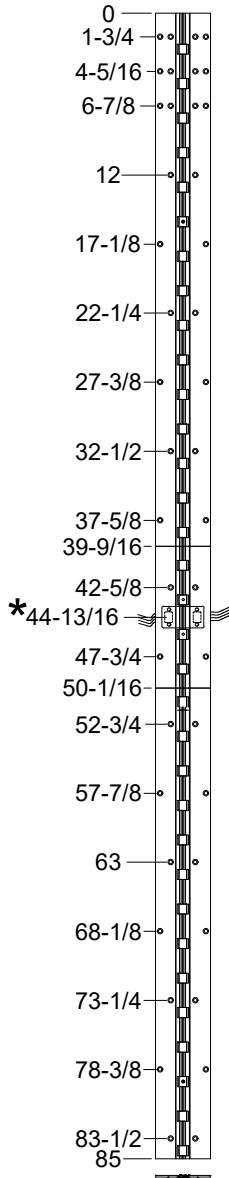
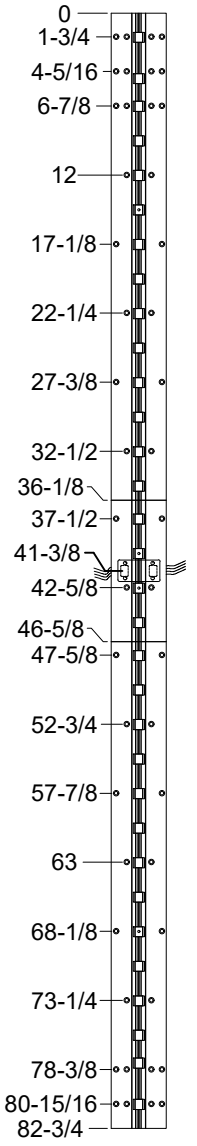
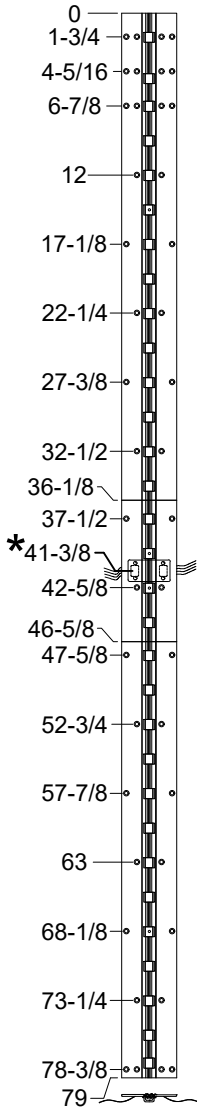
NON-HANDED

NON-HANDED

NON-HANDED

NON-HANDED

NON-HANDED



***THE THRU WIRING IS NOT CENTERED IN THE HINGE**

***THE THRU WIRING IS NOT CENTERED IN THE HINGE**

***THE THRU WIRING IS NOT CENTERED IN THE HINGE**

12 WIRE STANDARD

NOTES:

- 1. HINGES CUT TO CUSTOM LENGTH ARE CUT FROM BOTTOM OF HINGE. CUSTOM CUT HINGE REQUIRES HANDING.



R = REMOVABLE, (3) INDIVIDUAL HINGES, THRU WIRE CAN BE REMOVED TO ACCESS WIRES.

STANDARD HINGE SIZES & SCREW DETAIL

STANDARD HINGE SIZES & SCREW DETAIL						
NOMINAL DOOR HEIGHT	6'8"	7'0"	7'2"	8'0"	10'0"	
ACTUAL HINGE LENGTH	79"	83"	85"	95"	120"	
FRAME	12-24 x 3/4" PHILLIPS FLAT HEAD, UNDERCUT, SELF DRILLING, THREAD FORMING TEK MACHINE SCREW	21	23	21	26	30
DOOR	12-24 x 3/4" PHILLIPS FLAT HEAD, UNDERCUT, SELF DRILLING, THREAD FORMING TEK MACHINE SCREW	21	23	21	26	30

A150HD- EA & R, ELECTRICAL MODIFICATION WITH REMOVABLE OPTION-1-05

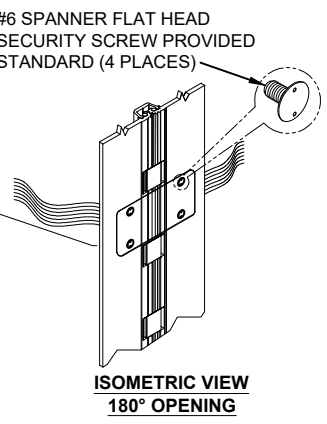
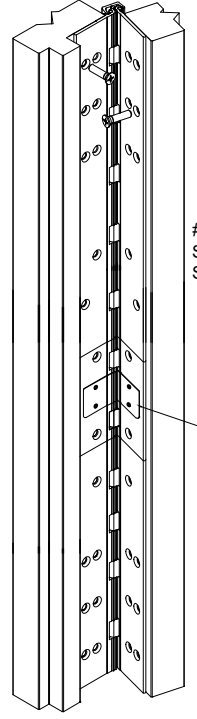
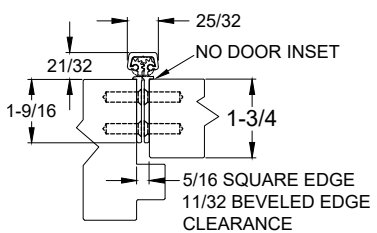
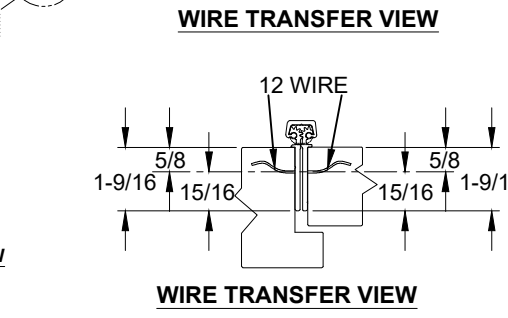
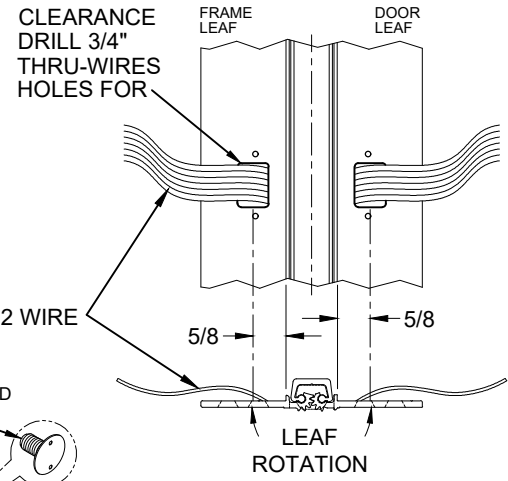
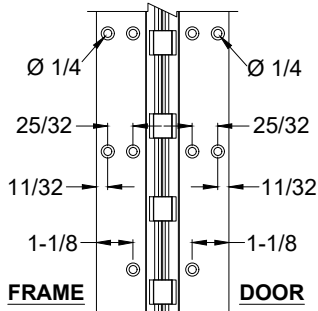


www.abhmf.com
 E-mail: abhinfo@abhmf.com
 Architectural Builders Hardware Mfg., Inc.
 1222 Ardmore Ave., Itasca, IL 60143
 630.875.9900; FAX 800.9FAXABH (932.9224)

© 2024 ABH Mfg., Inc.
 printed in USA

A150HD - "EA" & "R"
 ELECTRICAL MODIFICATION
 WITH REMOVABLE OPTION
 PAGE 1 OF 2
 REVISED 01-15-24

**A150HD - "EA" & "R" OPTION, KAWNEER, EASY ACCESS WITH REMOVABLE OPTION,
CONCEALED ELECTRIFICATION, FULL CONCEALED, ALUMINUM GEARED HINGE**

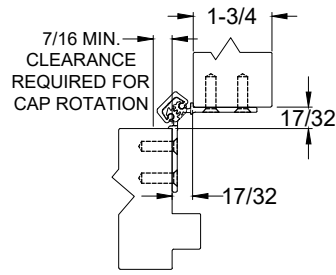


CLOSED POSITION

**ISOMETRIC VIEW
~90° OPENING**

**ISOMETRIC VIEW
180° OPENING**

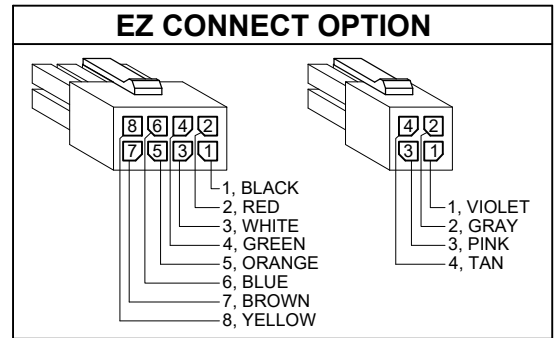
WIRE TRANSFER VIEW



90° OPENING

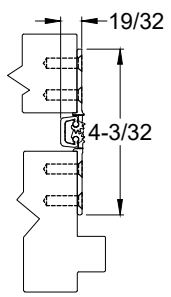
NOTES:

- MOLEX CONNECTOR OPTION AVAILABLE - SUFFIX "EZ".**
* SPECIFY ELECTRIFIED HARDWARE MANUFACTURER FOR CONNECTOR COMPABILITY



SPECIFICATION:

- DESCRIPTION:** SINGLE CONDUCTOR #22 AWG MINIATURE HOOK-UP WIRE FOR APPLICATIONS REQUIRING EXTREME FLEXIBILITY.
- CONDUCTOR:** #22 AWG 168/44 (0.002") SOFT BARE COPPER LHL.
- INSULATION:** PROPRIETARY FORMULATION PVC 0.010" NOM. WALL MEETS VW-1 FLAME REQUIREMENT.
- DIAMETER:** 0.053" ± 0.003".
- RESISTANCE:** 16.7 OHMS MAX. @ 20°C, PER 1000 FT.
- VOLTAGE RATING:** 600 VOLTS RMS, DEPENDING ON SPECIFICATION.
- AVAILABLE AS RoHS COMPLIANT.**



180° OPENING

A150HD- EA & R, ELECTRICAL MODIFICATION WITH REMOVABLE OPTION-2-05



www.abhmfmg.com
E-mail: abhmfmg@abhmfmg.com
Architectural Builders Hardware Mfg., Inc.
1222 Ardmore Ave., Itasca, IL 60143
630.875.9900; FAX 800.9FAXABH (932.9224)

© 2024 ABH Mfg., Inc.
printed in USA

A150HD - "EA" & "R"
ELECTRICAL MODIFICATION
WITH REMOVABLE OPTION
PAGE 2 OF 2
REVISED 01-15-24