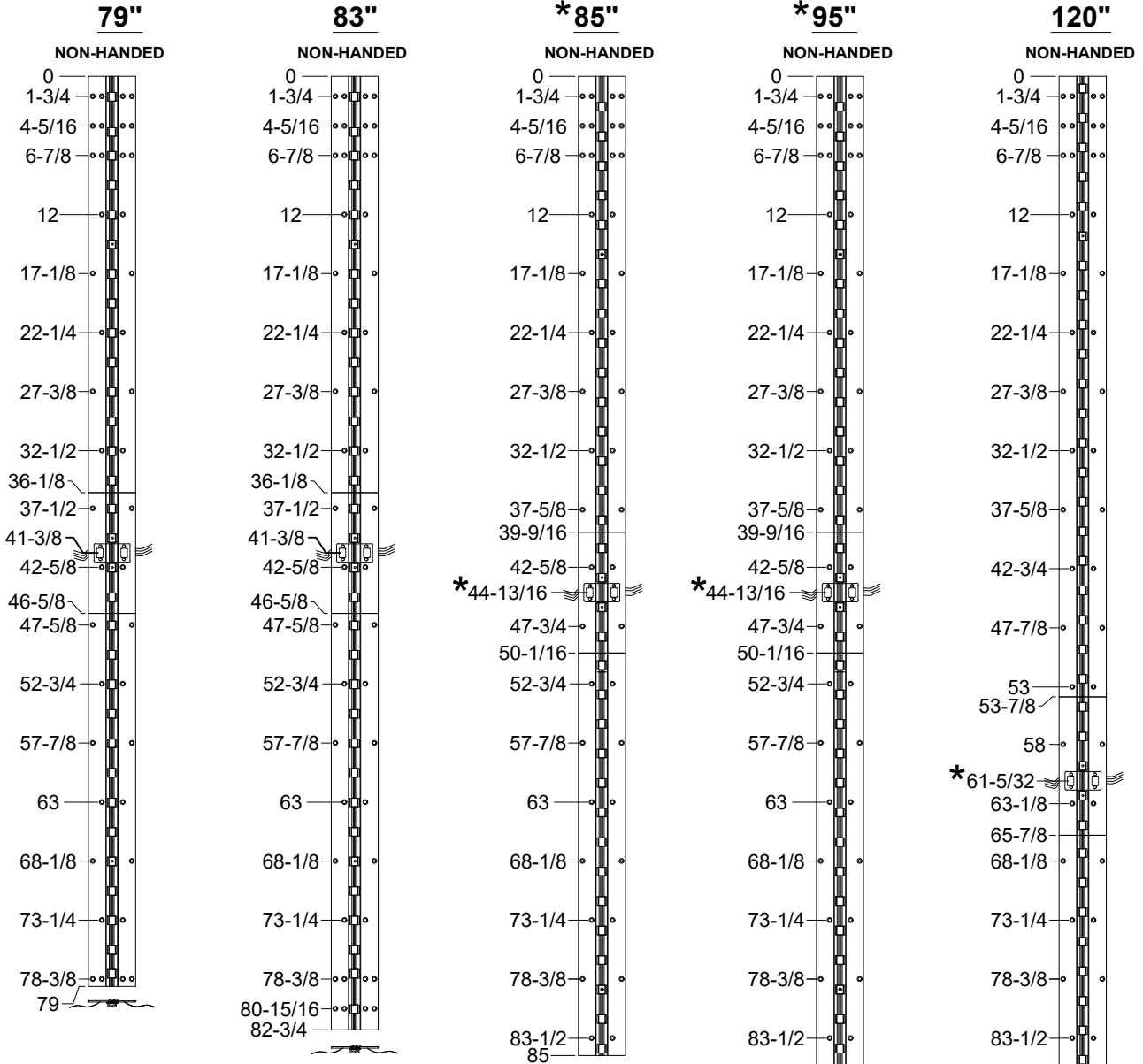


**A150HD - "EA" & "R" OPTION, KAWNEER, EASY ACCESS WITH REMOVABLE OPTION,
CONCEALED ELECTRIFICATION, FULL CONCEALED, ALUMINUM GEARED HINGE**



12 WIRE STANDARD

*THE THRU WIRING IS NOT CENTERED IN THE HINGE

*THE THRU WIRING IS NOT CENTERED IN THE HINGE

*THE THRU WIRING IS NOT CENTERED IN THE HINGE

NOTES:

1. HINGES CUT TO CUSTOM LENGTH ARE CUT FROM BOTTOM OF HINGE. CUSTOM CUT HINGE REQUIRES HANDING.



R = REMOVABLE, (3) INDIVIDUAL HINGES, THRU WIRE CAN BE REMOVED TO ACCESS WIRES.

STANDARD HINGE SIZES & SCREW DETAIL

		6'8"	7'0"	7'2"	8'0"	10'0"
NOMINAL DOOR HEIGHT		6'8"	7'0"	7'2"	8'0"	10'0"
ACTUAL HINGE LENGTH		79"	83"	85"	95"	120"
FRAME	12-24 x 3/4" PHILLIPS FLAT HEAD, UNDERCUT, SELF DRILLING, THREAD FORMING TEK MACHINE SCREW	21	23	21	26	30
DOOR	12-24 x 3/4" PHILLIPS FLAT HEAD, UNDERCUT, SELF DRILLING, THREAD FORMING TEK MACHINE SCREW	21	23	21	26	30



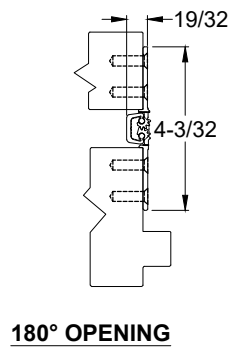
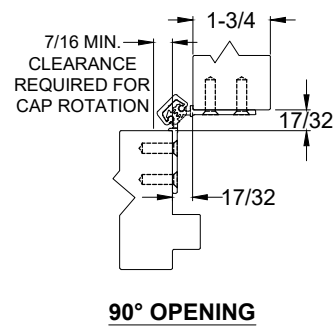
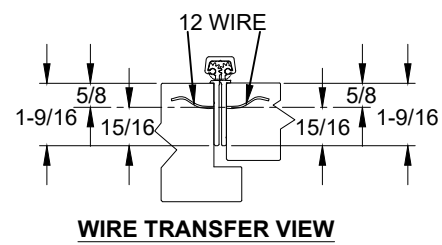
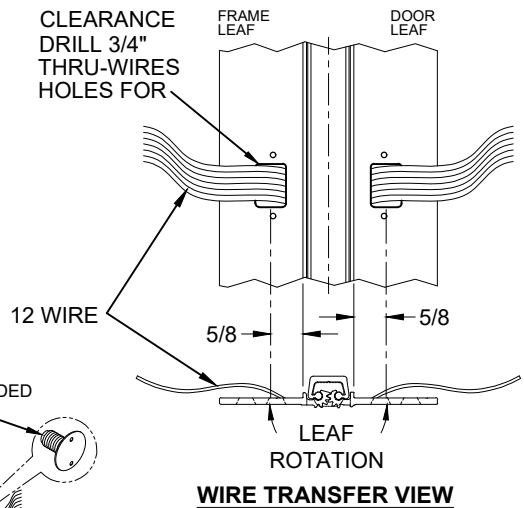
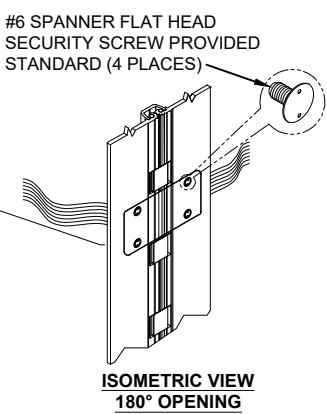
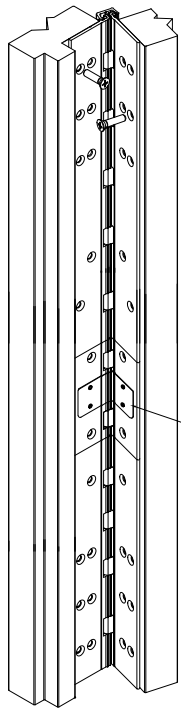
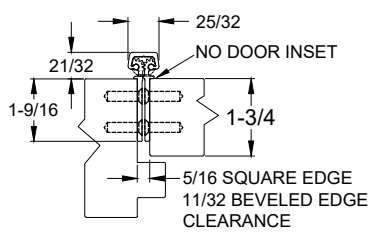
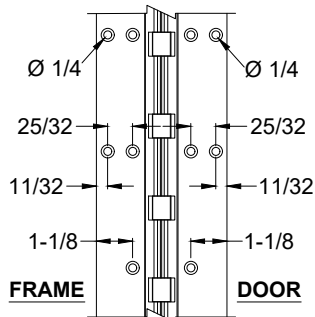
www.abhmfg.com
 E-mail: abhinfo@abhmfg.com
 Architectural Builders Hardware Mfg., Inc.
 1222 Ardmore Ave., Itasca, IL 60143
 630.875.9900; FAX 800.9FAXABH (932.9224)

© 2020 ABH Mfg., Inc.
 printed in USA

A150HD - "EA" & "R"
 ELECTRICAL MODIFICATION
 WITH REMOVABLE OPTION
 PAGE 1 OF 2
 REVISED 8-11-21

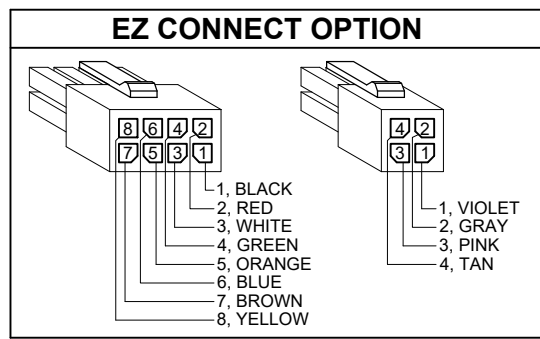
A150HD- EA & R, ELECTRICAL MODIFICATION WITH REMOVABLE OPTION-1-03

**A150HD - "EA" & "R" OPTION, KAWNEER, EASY ACCESS WITH REMOVABLE OPTION,
CONCEALED ELECTRIFICATION, FULL CONCEALED, ALUMINUM GEARED HINGE**



NOTES:

1. MOLEX CONNECTOR OPTION AVAILABLE - SUFFIX "EZ".
- * SPECIFY ELECTRIFIED HARDWARE MANUFACTURER FOR CONNECTOR COMPABILITY



SPECIFICATION:

DESCRIPTION: SINGLE CONDUCTOR #22 AWG MINIATURE HOOK-UP WIRE FOR APPLICATIONS REQUIRING EXTREME FLEXIBILITY.

CONDUCTOR: #22 AWG 168/44 (0.002") SOFT BARE COPPER LHL.

INSULATION: PROPRIETARY FORMULATION PVC 0.010" NOM. WALL MEETS VW-1 FLAME REQUIREMENT.

DIAMETER: 0.053" ± 0.003".

RESISTANCE: 16.7 OHMS MAX. @ 20°C, PER 1000 FT.

VOLTAGE RATING: 600 VOLTS RMS, DEPENDING ON SPECIFICATION.

AVAILABLE AS RoHS COMPLIANT.



www.abhmfg.com
E-mail: abhinfo@abhmfg.com
Architectural Builders Hardware Mfg., Inc.
1222 Ardmore Ave., Itasca, IL 60143
630.875.9900; FAX 800.9FAXABH (932.9224)

© 2020 ABH Mfg., Inc.
printed in USA

A150HD - "EA" & "R"
ELECTRICAL MODIFICATION
WITH REMOVABLE OPTION
PAGE 2 OF 2
REVISED 8-11-21