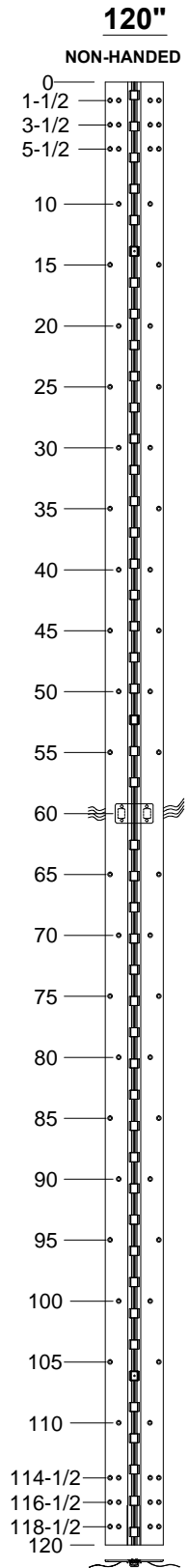
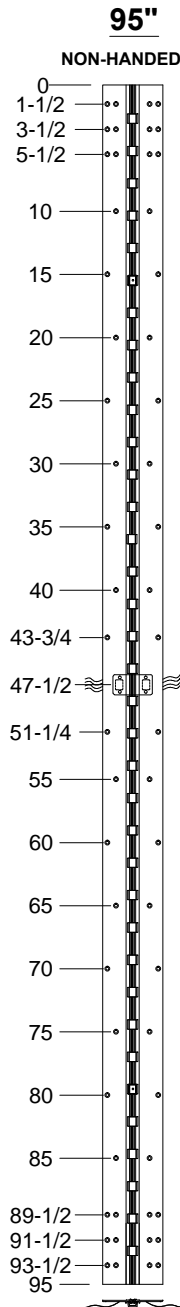
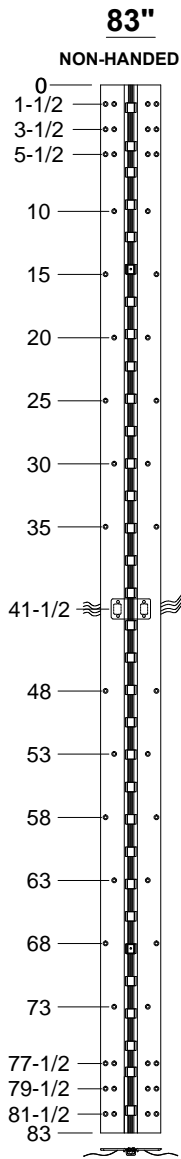


A270HD - "EA" OPTION, EASY ACCESS, CONCEALED ELECTRIFICATION, FULL CONCEALED, ALUMINUM GEARED HINGE



12 WIRE STANDARD

NOTES:

- HINGES CUT TO CUSTOM LENGTH ARE CUT FROM BOTTOM OF HINGE. CUSTOM CUT HINGE REQUIRES HANDING.



STANDARD HINGE SIZES & SCREW DETAIL			
NOMINAL DOOR HEIGHT	7'0"	8'0"	10'0"
ACTUAL HINGE LENGTH	83"	95"	120"
FRAME	12-24 x 7/8" PHILLIPS FLAT HEAD, UNDERCUT, SELF DRILLING, THREAD FORMING TEK MACHINE SCREW	24	28 32
DOOR	12-24 x 7/8" PHILLIPS FLAT HEAD, UNDERCUT, SELF DRILLING, THREAD FORMING TEK MACHINE SCREW	24	28 32

A270HD- "EA" OPTION, EASY ACCESS CONCEALED ELECTRIFICATION-1-00

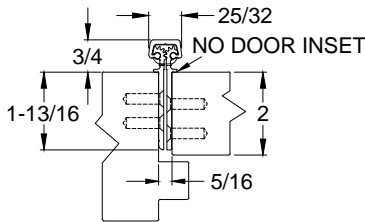
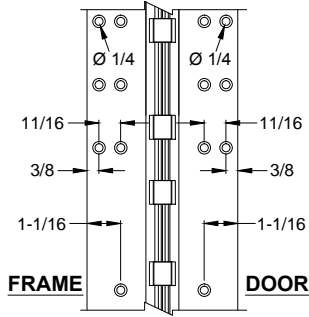


www.abhmfg.com
 E-mail: abhinfo@abhmfg.com
 Architectural Builders Hardware Mfg., Inc.
 1222 Ardmore Ave., Itasca, IL 60143
 630.875.9900; FAX 800.9FAXABH (932.9224)

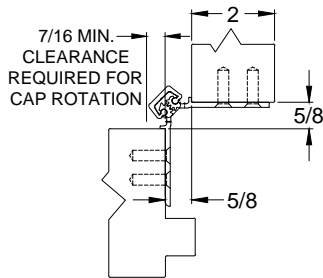
A270HD - "EA" OPTION, EASY ACCESS CONCEALED ELECTRIFICATION

© 2019 ABH Mfg., Inc.
 printed in USA

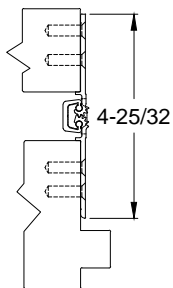
A270HD - "EA" OPTION, EASY ACCESS, CONCEALED ELECTRIFICATION, FULL CONCEALED, ALUMINUM GEARED HINGE



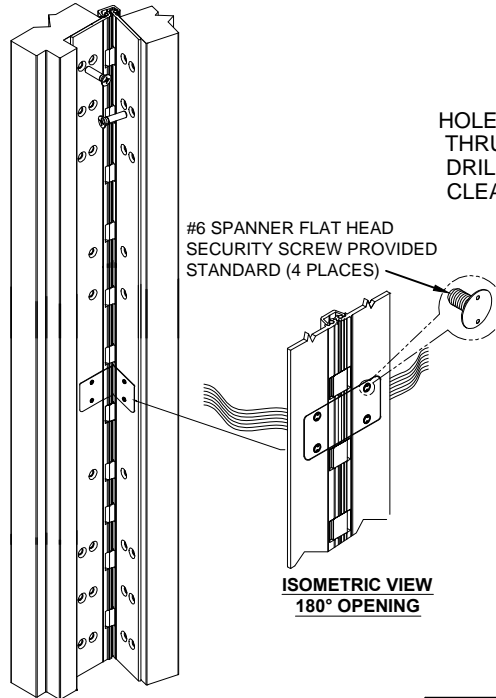
CLOSED POSITION



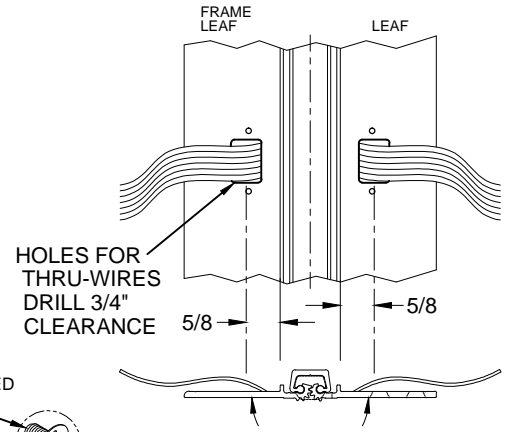
90° OPENING



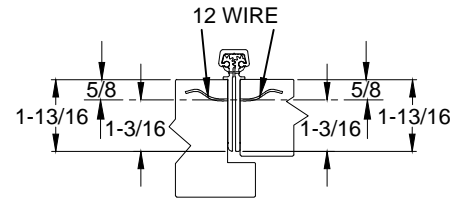
180° OPENING



**ISOMETRIC VIEW
180° OPENING**



**LEAF ROTATION
WIRE TRANSFER VIEW**



WIRE TRANSFER VIEW

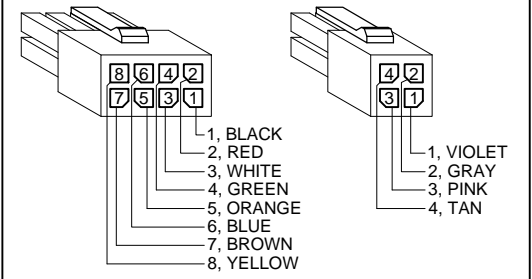
**ISOMETRIC VIEW
~90° OPENING**

NOTES:

1. MOLEX CONNECTOR OPTION AVAILABLE - SUFFIX "EZ".

* SPECIFY ELECTRIFIED HARDWARE MANUFACTURER FOR CONNECTOR COMPATIBILITY

EZ CONNECT OPTION



SPECIFICATION:

DESCRIPTION: SINGLE CONDUCTOR #22 AWG MINIATURE HOOK-UP WIRE FOR APPLICATIONS REQUIRING EXTREME FLEXIBILITY.

CONDUCTOR: #22 AWG 168/44 (0.002") SOFT BARE COPPER LHL.

INSULATION: PROPRIETARY FORMULATION PVC 0.010" NOM. WALL MEETS VW-1 FLAME REQUIREMENT.

DIAMETER: 0.053" ± 0.003".

RESISTANCE: 16.7 OHMS MAX. @ 20°C, PER 1000 FT.

VOLTAGE RATING: 600 VOLTS RMS, DEPENDING ON SPECIFICATION.

AVAILABLE AS RoHS COMPLIANT.

A270HD- "EA" OPTION, EASY ACCESS CONCEALED ELECTRIFICATION-2-00



www.abhmfg.com
E-mail: abhinfo@abhmfg.com
Architectural Builders Hardware Mfg., Inc.
1222 Ardmore Ave., Itasca, IL 60143
630.875.9900; FAX 800.9FAXABH (932.9224)

**A270HD - "EA" OPTION, EASY ACCESS
CONCEALED ELECTRIFICATION**

© 2019 ABH Mfg., Inc.
printed in USA