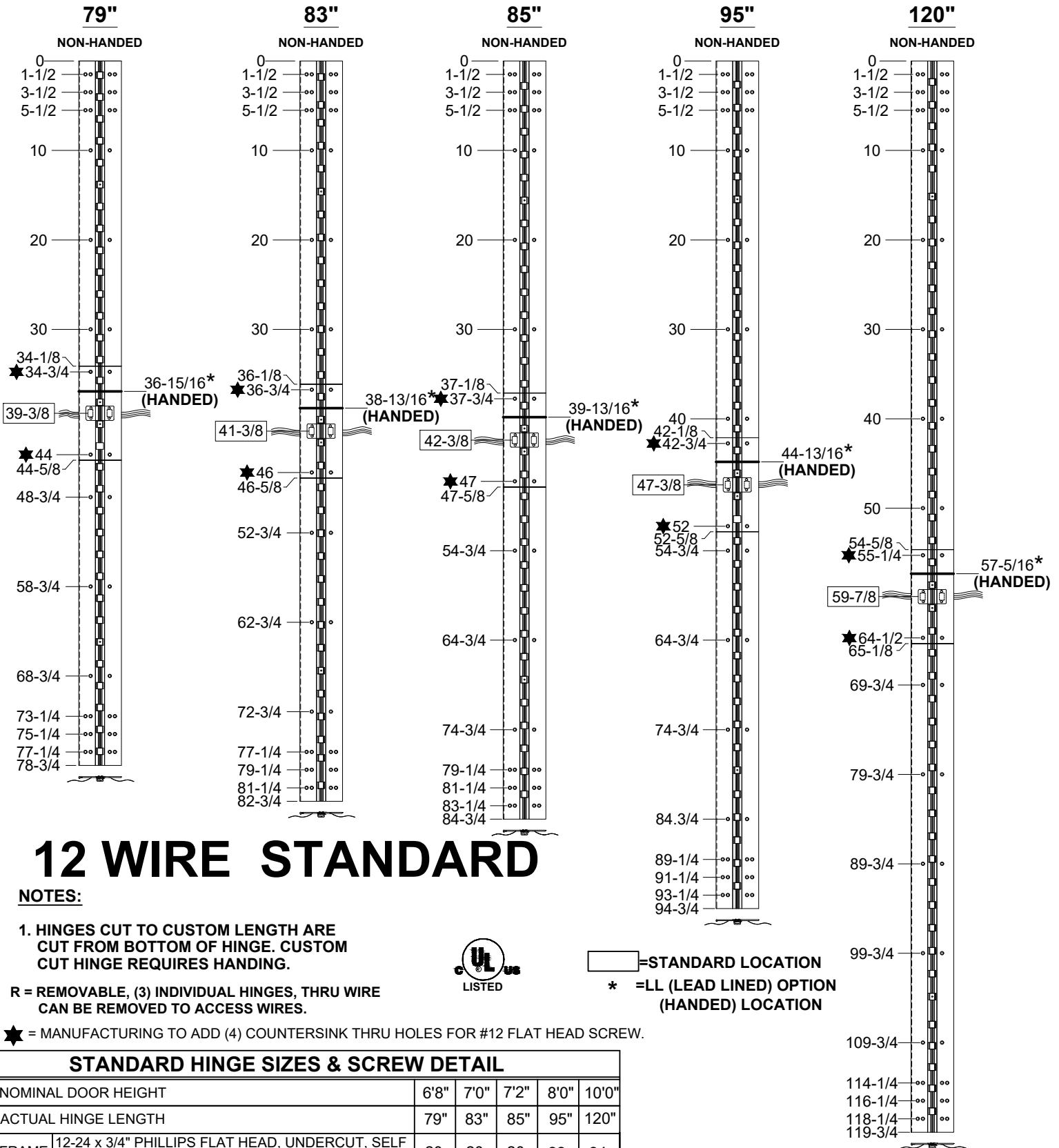


# A240HD/LL - "EA" & "R" ELECTRICAL MODIFICATION WITH REMOVABLE OPTION



## 12 WIRE STANDARD

### NOTES:

1. HINGES CUT TO CUSTOM LENGTH ARE CUT FROM BOTTOM OF HINGE. CUSTOM CUT HINGE REQUIRES HANDING.

R = REMOVABLE, (3) INDIVIDUAL HINGES, THRU WIRE CAN BE REMOVED TO ACCESS WIRES.

★ = MANUFACTURING TO ADD (4) COUNTERSINK THRU HOLES FOR #12 FLAT HEAD SCREW.



☐ = STANDARD LOCATION  
\* = LL (LEAD LINED) OPTION (HANDED) LOCATION

| STANDARD HINGE SIZES & SCREW DETAIL |  |      |      |      |      |       |
|-------------------------------------|--|------|------|------|------|-------|
| NOMINAL DOOR HEIGHT                 |  | 6'8" | 7'0" | 7'2" | 8'0" | 10'0" |
| ACTUAL HINGE LENGTH                 |  | 79"  | 83"  | 85"  | 95"  | 120"  |
| FRAME                               | 12-24 x 3/4" PHILLIPS FLAT HEAD, UNDERCUT, SELF DRILLING, THREAD FORMING TEK MACHINE SCREW | 20   | 20   | 20   | 22   | 24    |
| DOOR                                | 12-24 x 3/4" PHILLIPS FLAT HEAD, UNDERCUT, SELF DRILLING, THREAD FORMING TEK MACHINE SCREW | 20   | 20   | 20   | 22   | 24    |

A240HD-EA & R, ELECTRICAL MODIFICATION WITH REMOVABLE OPTION-1-04.DWG



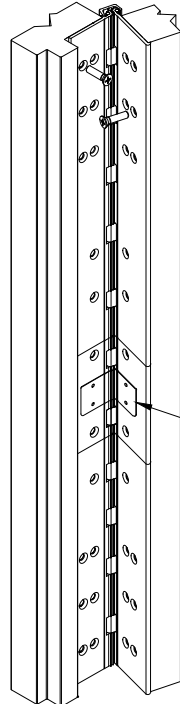
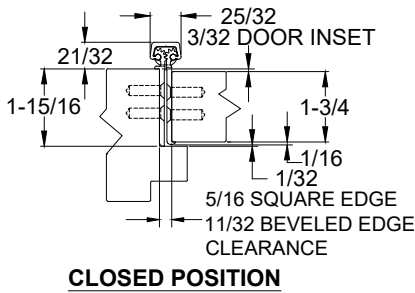
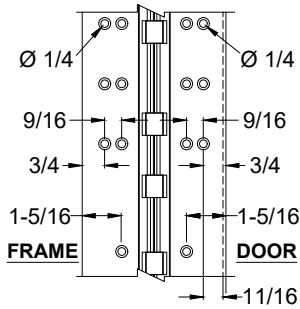
www.abhmfg.com  
E-mail: abhinfo@abhmfg.com  
Architectural Builders Hardware Mfg., Inc.  
1222 Ardmore Ave., Itasca, IL 60143  
630.875.9900; FAX 800.9FAXABH (932.9224)

© 2023 ABH Mfg., Inc.  
printed in USA

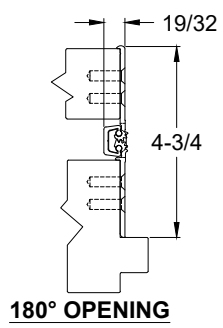
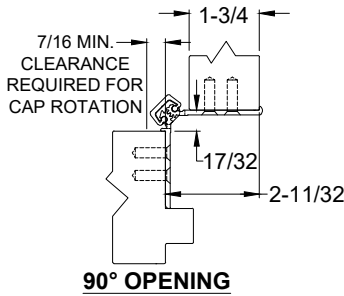
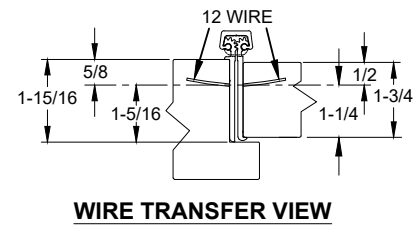
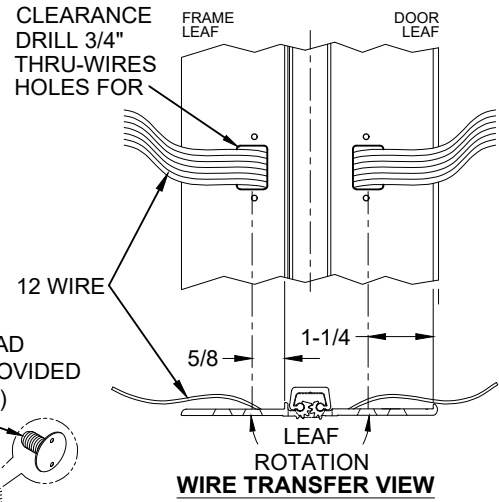
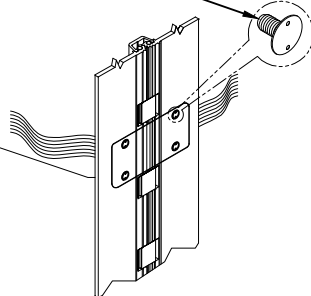
**A240HD/LL - "EA" & "R"**  
ELECTRICAL MODIFICATION  
WITH REMOVABLE OPTION

PAGE 1 OF 2  
REVISED 06-06-23

# A240HD/LL - "EA" & "R" ELECTRICAL MODIFICATION WITH REMOVABLE OPTION

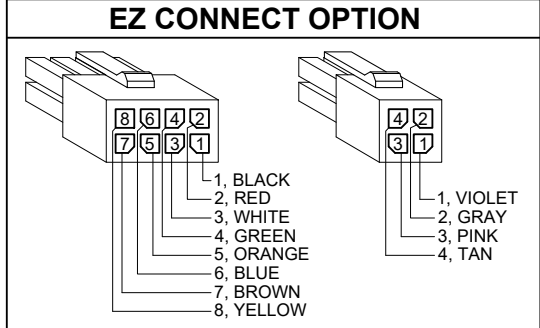


#6 SPANNER FLAT HEAD SECURITY SCREW PROVIDED STANDARD (4 PLACES)



**NOTES:**

1. MOLEX CONNECTOR OPTION AVAILABLE - SUFFIX "EZ".
- \* SPECIFY ELECTRIFIED HARDWARE MANUFACTURER FOR CONNECTOR COMPABILITY



**SPECIFICATION:**

**DESCRIPTION:** SINGLE CONDUCTOR #22 AWG MINIATURE HOOK-UP WIRE FOR APPLICATIONS REQUIRING EXTREME FLEXIBILITY.

**CONDUCTOR:** #22 AWG 168/44 (0.002") SOFT BARE COPPER LHL.

**INSULATION:** PROPRIETARY FORMULATION PVC 0.010" NOM. WALL MEETS VW-1 FLAME REQUIREMENT.

**DIAMETER:** 0.053" ± 0.003".

**RESISTANCE:** 16.7 OHMS MAX. @ 20°C, PER 1000 FT.

**VOLTAGE RATING:** 600 VOLTS RMS, DEPENDING ON SPECIFICATION.

**AVAILABLE AS RoHS COMPLIANT.**

A240HD-EA & R, ELECTRICAL MODIFICATION WITH REMOVABLE OPTION-2-04.DWG



www.abhmfg.com  
 E-mail: abhinfo@abhmfg.com  
 Architectural Builders Hardware Mfg., Inc.  
 1222 Ardmore Ave., Itasca, IL 60143  
 630.875.9900; FAX 800.9FAXABH (932.9224)

© 2023 ABH Mfg., Inc.  
 printed in USA

**A240HD/LL - "EA" & "R"**  
 ELECTRICAL MODIFICATION  
 WITH REMOVABLE OPTION