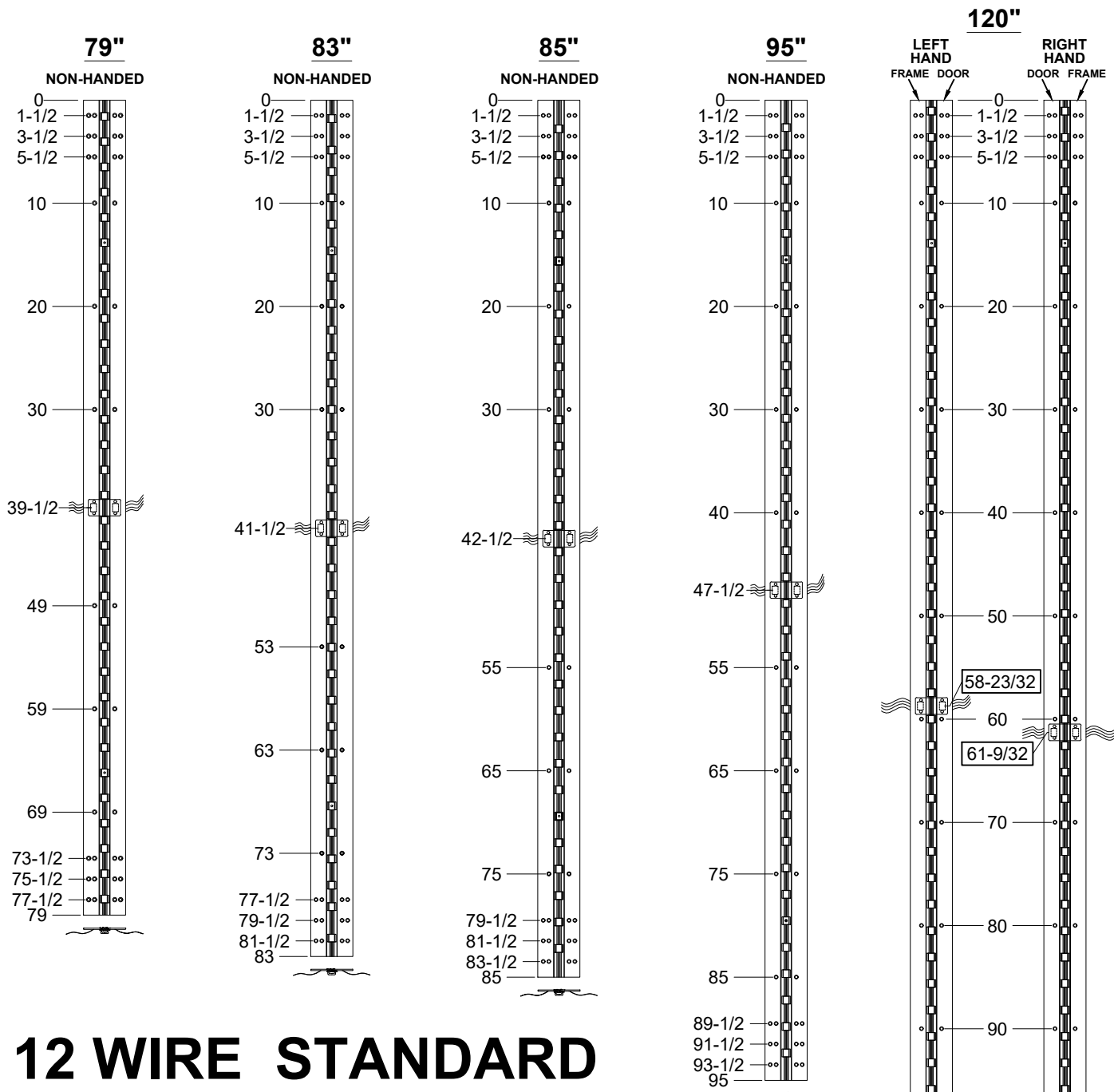


**A110HD - "EA" OPTION, EASY ACCESS CONCEALED ELECTRIFICATION,  
ALUMINUM GEARED HINGE**



# 12 WIRE STANDARD

**NOTES:**

- 1. HINGES CUT TO CUSTOM LENGTH ARE CUT FROM BOTTOM OF HINGE. CUSTOM CUT HINGE REQUIRES HANDING.



**STANDARD HINGE SIZES & SCREW DETAIL**

NOMINAL DOOR HEIGHT		6'8"	7'0"	7'2"	8'0"	10'0"
ACTUAL HINGE LENGTH		79"	83"	85"	95"	120"
FRAME	12-24 x 7/8" PHILLIPS FLAT HEAD, UNDERCUT, SELF DRILLING, THREAD FORMING TEK MACHINE SCREW	18	18	18	20	23
DOOR	12-24 x 7/8" PHILLIPS FLAT HEAD, UNDERCUT, SELF DRILLING, THREAD FORMING TEK MACHINE SCREW	18	18	18	20	23



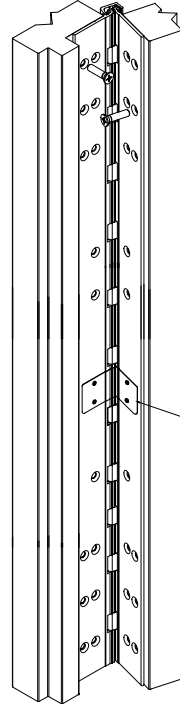
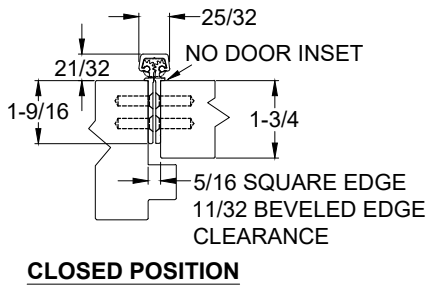
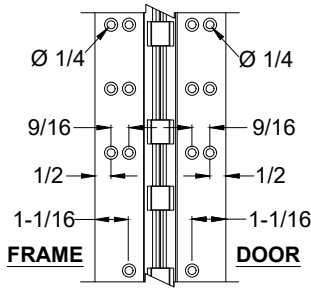
www.abhmfg.com  
 E-mail: abhinfo@abhmfg.com  
 Architectural Builders Hardware Mfg., Inc.  
 1222 Ardmore Ave., Itasca, IL 60143  
 630.875.9900; FAX 800.9FAXABH (932.9224)

**A110HD - "EA" OPTION EASY ACCESS  
CONCEALED ELECTRIFICATION**

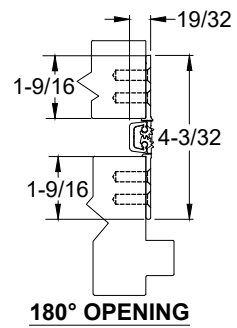
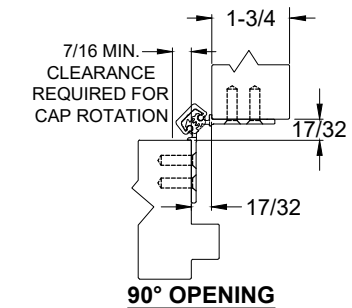
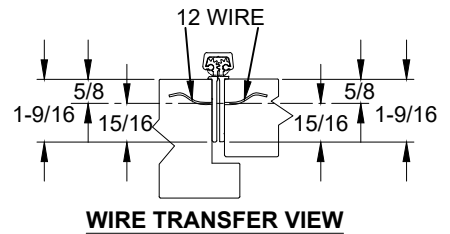
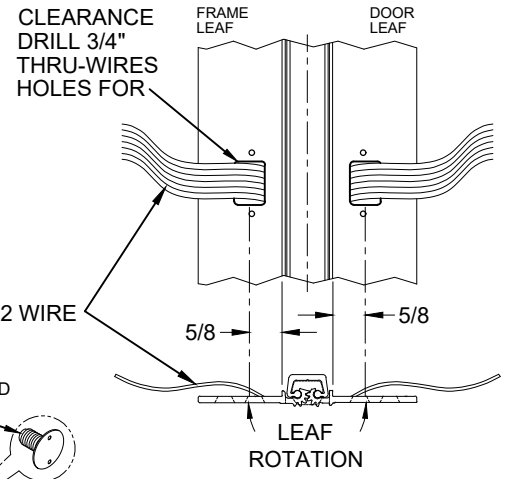
© 2020 ABH Mfg., Inc.  
printed in USA

A110HD-EA OPTION, EASY ACCESS CONCEALED ELECTRIFICATION-1-02.DWG

# A110HD - "EA" OPTION, EASY ACCESS CONCEALED ELECTRIFICATION, ALUMINUM GEARED HINGE

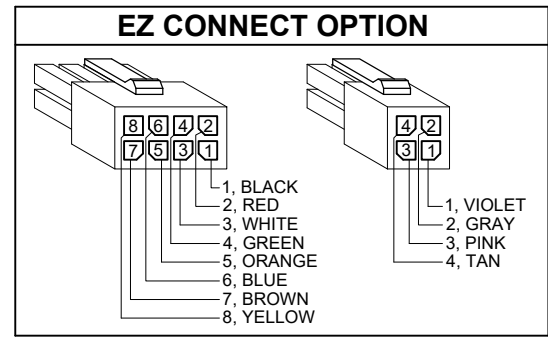


**ISOMETRIC VIEW  
~90° OPENING**



**NOTES:**

1. MOLEX CONNECTOR OPTION AVAILABLE - SUFFIX "EZ".
- \* SPECIFY ELECTRIFIED HARDWARE MANUFACTURER FOR CONNECTOR COMPATIBILITY



**SPECIFICATION:**

**DESCRIPTION:** SINGLE CONDUCTOR #22 AWG MINIATURE HOOK-UP WIRE FOR APPLICATIONS REQUIRING EXTREME FLEXIBILITY.

**CONDUCTOR:** #22 AWG 168/44 (0.002") SOFT BARE COPPER LHL.

**INSULATION:** PROPRIETARY FORMULATION PVC 0.010" NOM. WALL MEETS VW-1 FLAME REQUIREMENT.

**DIAMETER:** 0.053" ± 0.003".

**RESISTANCE:** 16.7 OHMS MAX. @ 20°C, PER 1000 FT.

**VOLTAGE RATING:** 600 VOLTS RMS, DEPENDING ON SPECIFICATION.

**AVAILABLE AS RoHS COMPLIANT.**



www.abhmfg.com  
E-mail: abhinfo@abhmfg.com  
Architectural Builders Hardware Mfg., Inc.  
1222 Ardmore Ave., Itasca, IL 60143  
630.875.9900; FAX 800.9FAXABH (932.9224)

**A110HD - "EA" OPTION EASY ACCESS  
CONCEALED ELECTRIFICATION**

© 2020 ABH Mfg., Inc.  
printed in USA