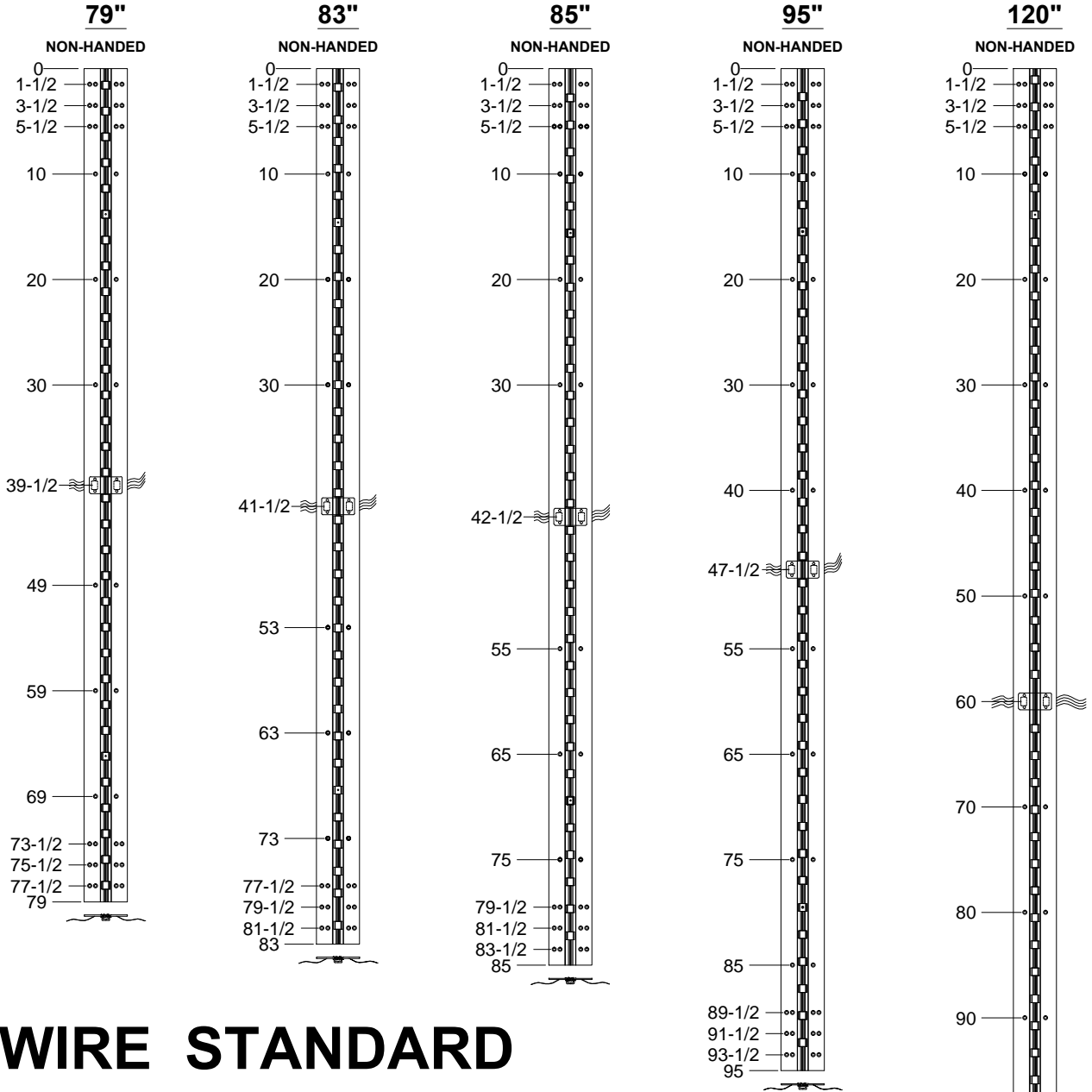


**A110HD - "EA" OPTION, EASY ACCESS CONCEALED ELECTRIFICATION,
ALUMINUM GEARED HINGE**



12 WIRE STANDARD

NOTES:

- 1. HINGES CUT TO CUSTOM LENGTH ARE CUT FROM BOTTOM OF HINGE. CUSTOM CUT HINGE REQUIRES HANDING.



STANDARD HINGE SIZES & SCREW DETAIL

| NOMINAL DOOR HEIGHT | | 6'8" | 7'0" | 7'2" | 8'0" | 10'0" |
|---------------------|--|------|------|------|------|-------|
| ACTUAL HINGE LENGTH | | 79" | 83" | 85" | 95" | 120" |
| FRAME | 12-24 x 7/8" PHILLIPS FLAT HEAD, UNDERCUT, SELF DRILLING, THREAD FORMING TEK MACHINE SCREW | 18 | 18 | 18 | 20 | 22 |
| DOOR | 12-24 x 7/8" PHILLIPS FLAT HEAD, UNDERCUT, SELF DRILLING, THREAD FORMING TEK MACHINE SCREW | 18 | 18 | 18 | 20 | 22 |

A110HD-EA OPTION, EASY ACCESS CONCEALED ELECTRIFICATION-1-01.DWG

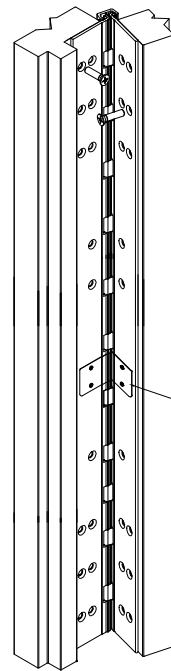
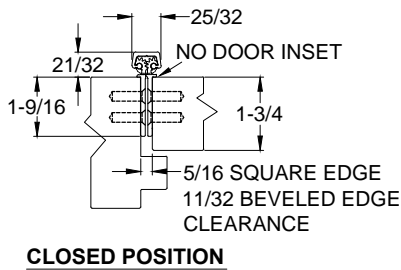
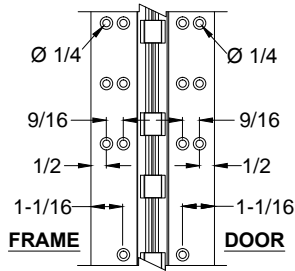


www.abhmf.com
 E-mail: abhinfo@abhmf.com
 Architectural Builders Hardware Mfg., Inc.
 1222 Ardmore Ave., Itasca, IL 60143
 630.875.9900; FAX 800.9FAXABH (932.9224)

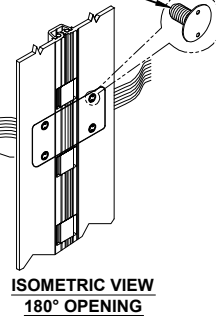
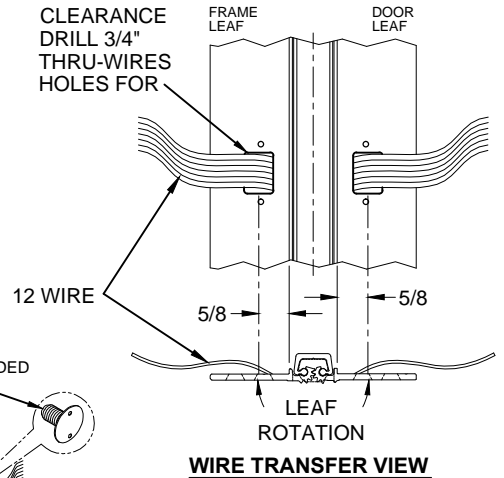
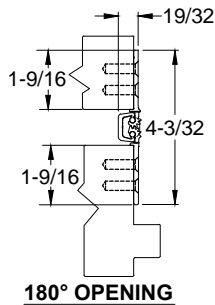
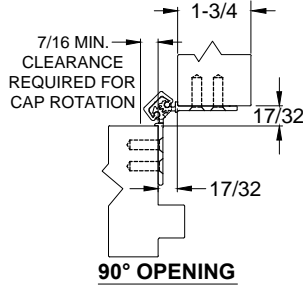
**A110HD - "EA" OPTION EASY ACCESS
CONCEALED ELECTRIFICATION**

© 2019 ABH Mfg., Inc.
printed in USA

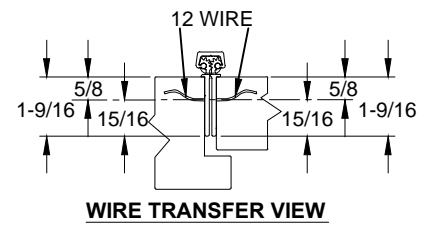
**A110HD - "EA" OPTION, EASY ACCESS CONCEALED ELECTRIFICATION,
ALUMINUM GEARED HINGE**



**ISOMETRIC VIEW
-90° OPENING**



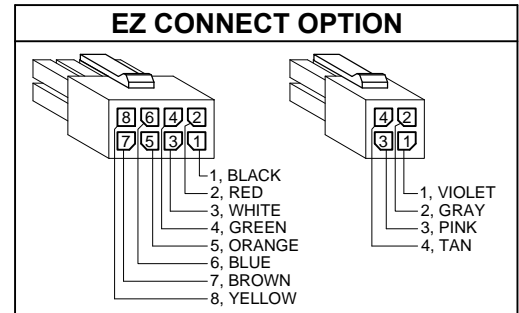
**ISOMETRIC VIEW
180° OPENING**



NOTES:

1. MOLEX CONNECTOR OPTION AVAILABLE - SUFFIX "EZ".

* SPECIFY ELECTRIFIED HARDWARE MANUFACTURER FOR CONNECTOR COMPABILITY



SPECIFICATION:

DESCRIPTION: SINGLE CONDUCTOR #22 AWG MINIATURE HOOK-UP WIRE FOR APPLICATIONS REQUIRING EXTREME FLEXIBILITY.

CONDUCTOR: #22 AWG 168/44 (0.002") SOFT BARE COPPER LHL.

INSULATION: PROPRIETARY FORMULATION PVC 0.010" NOM. WALL MEETS VW-1 FLAME REQUIREMENT.

DIAMETER: 0.053" ± 0.003".

RESISTANCE: 16.7 OHMS MAX. @ 20°C, PER 1000 FT.

VOLTAGE RATING: 600 VOLTS RMS, DEPENDING ON SPECIFICATION.

AVAILABLE AS RoHS COMPLIANT.

A110HD-EA OPTION, EASY ACCESS CONCEALED ELECTRIFICATION-2-01.DWG