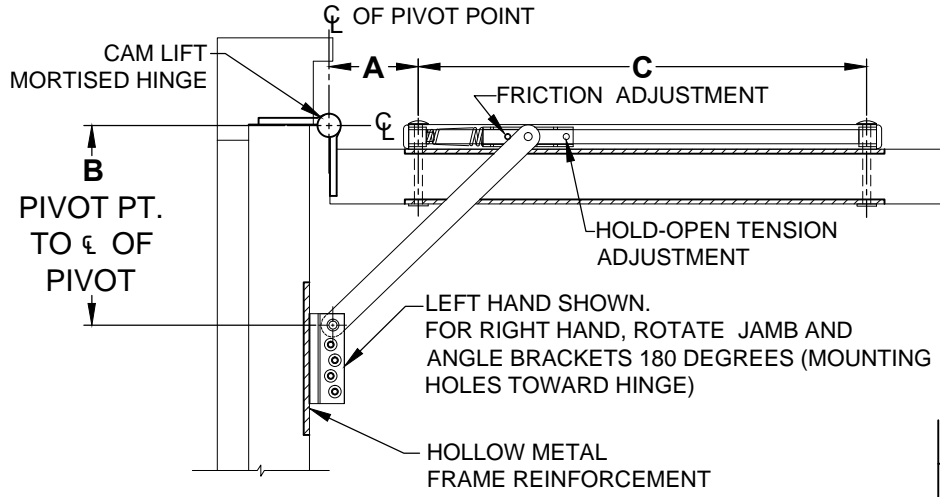
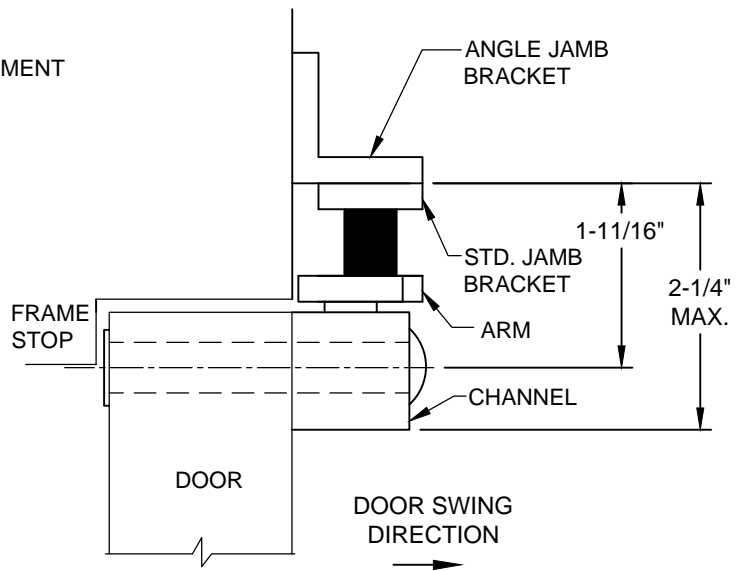
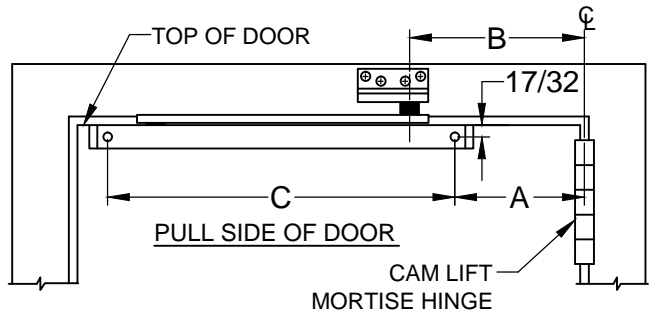


9000CL SERIES HOLDERS & STOPS SURFACE MOUNT ON PULL SIDE OF DOOR WITH CAM LIFT HINGES - MAX. 1/2" CAM LIFT



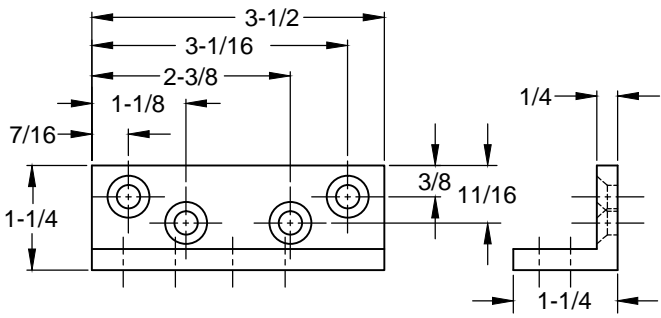
A = FROM CL OF PIVOT POINT TO CL OF FIRST SEX BOLT.
B = FROM CL OF PIVOT POINT TO FIRST HOLE OF JAMB BRACKET
C = CL OF FIRST SEX BOLT TO CL OF SECOND SEX BOLT

TOP VIEW



REVERSE INSTALLATION PULL SIDE OF DOOR

THE ANGLE BRACKET IS SECURED TO THE HEADER WITH WOOD OR MACHINE SCREWS.
 THE JAMB BRACKET FASTENS TO THE ANGLE BRACKET WITH MACHINE SCREWS.
 THE CHANNEL MOUNTS ON THE DOOR WITH SEX BOLTS.
 REVERSE INSTALLATION METHOD IS NOT RECOMMENDED FOR EXTERIOR DOORS OPENING OUT.



ANGLE JAMB BRACKET

SCREW DETAIL			
	QTY	WOOD	METAL
ANGLE JAMB BRACKET	4	• #14 x 1-1/2 FLAT HEAD WOOD SCREW	• 1/4-20 x 3/4 FLAT HEAD MACHINE SCREW
JAMB	4		• 1/4-20 x 1/2 FLAT HEAD MACHINE SCREW
DOOR	2	• 5/16-18 x 2 TRUSS HEAD MACHINE SCREW	
	2	• 1/2 DIA. SEX BOLT (SPECIAL 5/16-18x1-9/16" FLAT HEAD)	

- NOTES:**
1. REVERSIBLE/ NON - HANDED
 2. FOR SINGLE ACTING DOORS ONLY
 3. ALL DRILLING & TAPPING TO BE DONE IN FIELD.
 4. ALWAYS REQUEST LATEST TEMPLATE/ DRAWING FOR NEW INSTALLATIONS.
 5. ALL DIMENSIONS ARE IN INCHES.
 6. DRAWING IS NOT TO SCALE.
 7. DIMENSION B = HOLD-OPEN FOR HOLDERS, OPENING FOR STOPS



www.abhmfg.com
 E-mail: abhinfo@abhmfg.com
 Architectural Builders Hardware Mfg., Inc.
 1222 Ardmore Ave., Itasca, IL 60143
 630.875.9900; FAX 800.9FAXABH (932.9224)

9000CL PULL SIDE W/90541 ANGLE BRACKET

©2019 ABH Mfg., Inc.
 printed in USA

9000CL PULL-3-00.DWG
 PAGE 1 OF 2
 REVISED 06-07-19

**9000CL SERIES HOLDERS & STOPS SURFACE MOUNT ON PULL SIDE OF DOOR
WITH CAM LIFT HINGES - MAX. 1/2" CAM LIFT**

•9010CL HOLDERS •9020CL STOPS •9030CL FRICTION

1. FOR DEAD STOP ADD 3/4" TO "A" DIMENSION
2. ALL DIMENSIONS ARE IN INCHES.
3. ALL DRILLING AND TAPPING TO BE DONE IN FIELD.

	DEGREE		85° H.O.		90° H.O.		95° H.O.		100° H.O.		105° H.O.		110° H.O.		C
	MODEL NO.	DOOR OPENING	A	B	A	B	A	B	A	B	A	B	A	B	
DOOR THICKNESS	•9018 CL •9028 CL •9038 CL	24 TO 27-15/16	4-1/16	6-7/8	3-11/16	6-7/16	3-5/16	6-1/4	3	6	3-3/16	5-1/8	3-1/16	4-3/4	17-1/2
	•9011 CL •9021 CL •9031 CL	28 TO 29-15/16	5	7-3/16	4-7/8	6-3/8	4-3/4	5-5/8	4-5/8	4-7/8	4-1/2	4-5/8	4-3/8	4-3/16	20-1/2
	•9012 CL •9022 CL •9032 CL	30 TO 31-15/16	6-5/8	8-5/8	6-1/2	7-5/8	6-3/8	6-3/4	6-1/4	6-1/16	6-1/8	5-9/16	6	5-3/16	20-15/16
1-3/4" TO 2-1/4"	•9013 CL •9023 CL •9033 CL	32 TO 35-15/16	7-1/2	9-1/16	7-3/8	7-15/16	7-1/4	7-1/16	7-1/8	6-3/8	7	5-3/4	6-7/8	5-3/8	21-5/8
CAM LIFT MORTISE HINGE,	•9014 CL •9024 CL •9034 CL	36 TO 39-15/16	9-15/16	11	9-1/2	10-1/4	9-3/8	9-3/16	9-1/4	8-1/4	9-1/8	7-1/2	9	6-3/4	22-13/16
	•9015 CL •9025 CL •9035 CL	40 TO 41-15/16	13	12-3/8	12-1/8	11-3/4	12	10-7/16	11-7/8	9-3/8	11-3/4	8-7/16	11-5/8	7-3/4	24
	•9016 CL •9026 CL •9036 CL	42 TO 43-15/16	14-3/8	12-13/16	13-5/8	12-3/16	13-1/2	10-3/4	13-3/8	9-9/16	13-1/4	8-5/8	13-1/8	7-7/8	24-9/16
	•9017 CL •9027 CL •9037 CL	44 TO 56	15-3/4	13-1/2	15-1/8	12-5/8	14-3/4	11-7/16	14-5/8	10-1/4	14-1/2	9-3/16	14-3/8	8-3/8	25-1/8



www.abhmfg.com
E-mail: abhinfo@abhmfg.com
Architectural Builders Hardware Mfg., Inc.
1222 Ardmore Ave., Itasca, IL 60143
630.875.9900; FAX 800.9FAXABH (932.9224)

©2019 ABH Mfg., Inc.
printed in USA

9000CL WITH
W/ 90541 ANGLE BRACKET

PAGE 2 OF 2
REVISED 06-07-19

9000CL PULL-3-00.DWG