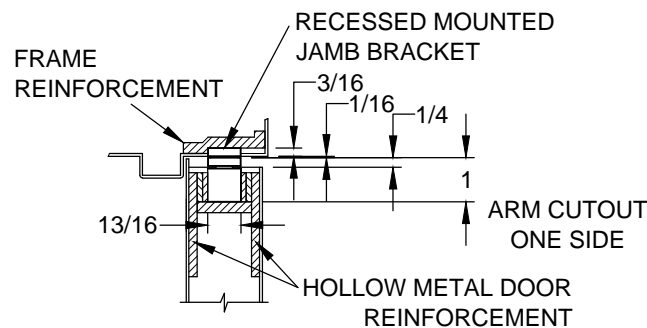
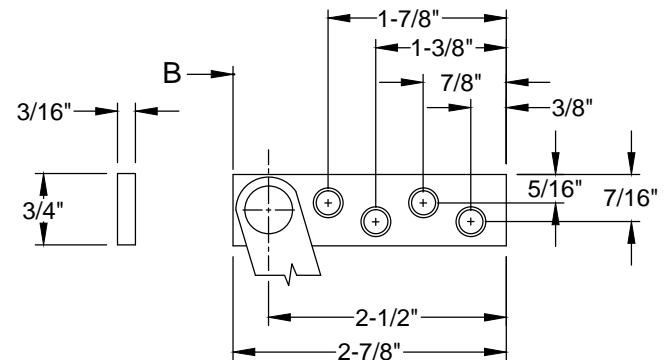
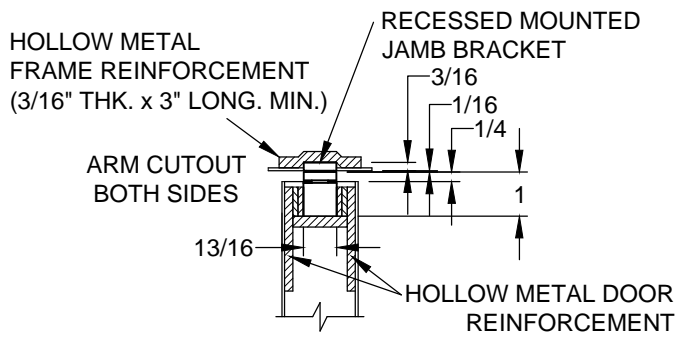
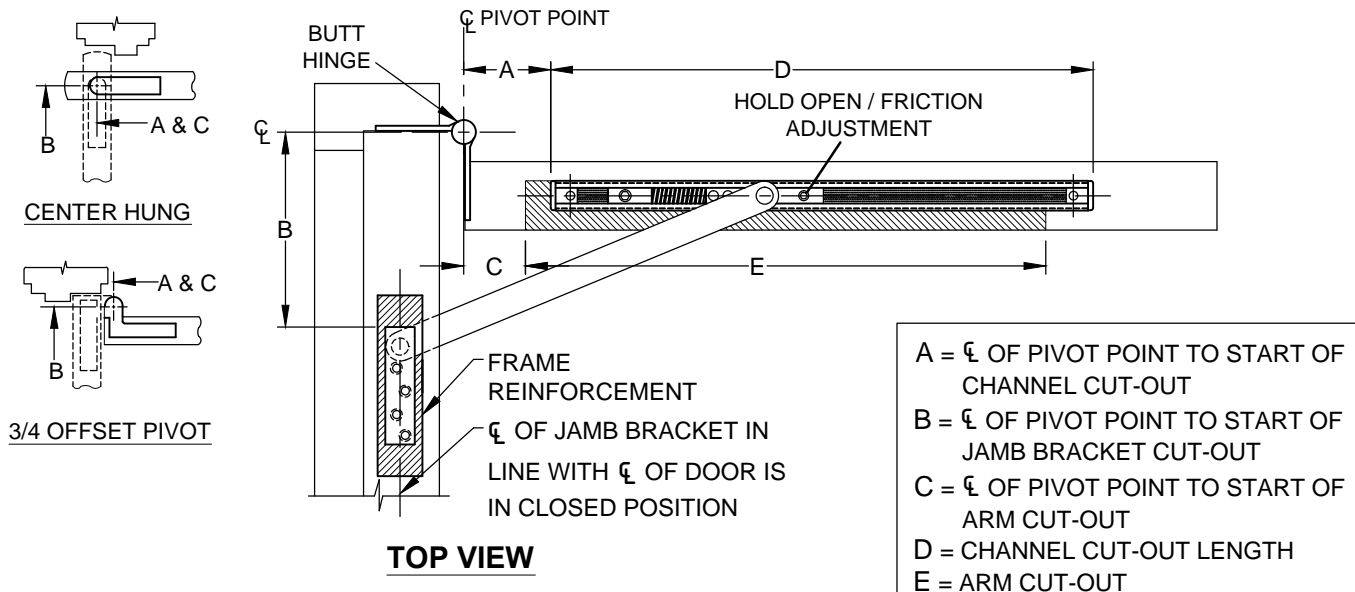


4000RA ADJUSTABLE SERIES HOLDERS & STOPS

CONCEALED MOUNT, MEDIUM DUTY



- NOTES:**
1. REVERSIBLE/ NON-HANDED
 2. FOR SINGLE OR DOUBLE ACTING DOORS
 3. ALWAYS REQUEST LATEST TEMPLATE/ DRAWINGS FOR NEW INSTALLATIONS
 4. ALL DRILLING & TAPPING TO BE DONE IN FIELD.
 5. DO NOT SCALE DRAWING
 6. ALL DIMENSIONS ARE IN INCHES

SCREW DETAIL			
	QTY	WOOD	METAL
JAMB	4	#10 x 1-1/2 FLAT HEAD WOOD SCREW	10-32 x 1/2 FLAT HEAD MACHINE SCREW, UNDER CUT
DOOR	2	#10 x 1-1/2 FLAT HEAD WOOD SCREW	10-32 x 1-1/2 FLAT HEAD MACHINE SCREW

4000RA ADJUSTABLE SERIES HOLDERS & STOPS

CONCEALED MOUNT, DOOR THICKNESS 1-3/4" TO 2-1/4"

- 4010RA HOLD-OPEN
- 4020RA STOP
- 4030RA FRICTION

1. ADD 5/8" TO "A" DIMENSION FOR DEAD STOP.
2. ALL DIMENSIONS ARE IN INCHES.

WHEN USING CENTER HUNG PIVOTS, CHECK PIVOT MANUFACTURER'S COMPATIBILITY PRIOR TO SPECIFYING

BUTT HINGE & 3/4" OFFSET PIVOT

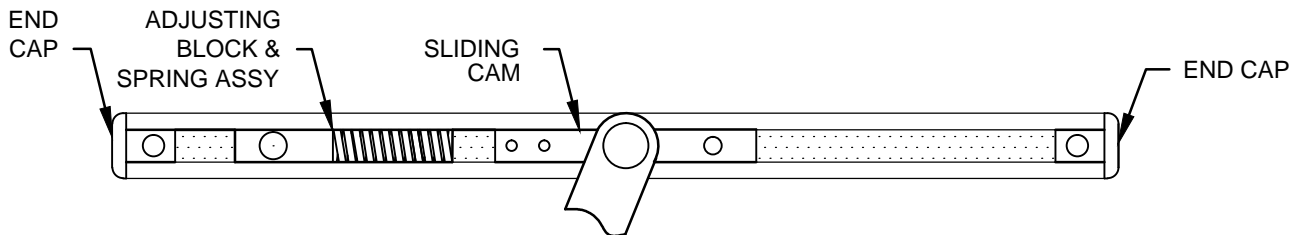
MODEL NUMBER			* BUTT HINGE MOUNTING ONLY					
HOLD OPEN	STOP	FRICTION	FRAME OPENING	A	B	C	E	D
* 4011RA	* 4021RA	* 4031RA	* 18 TO 24	* 1-3/16	* 4-1/2	* 0	* 15-1/2	* 15-7/8
4012RA	4022RA	4032RA	24-1/16 TO 30	4-1/2	5-3/16	4-1/2	16	17-1/16
4013RA	4023RA	4033RA	30-1/16 TO 36	6-1/8	6-3/8	4-3/4	18-7/8	18-13/16
4014RA	4024RA	4034RA	36-1/16 TO 42	9-7/8	7	6-3/8	23	21-1/4
4015RA	4025RA	4035RA	42-1/16 TO 48	13	9-5/16	7-5/8	26	23-1/16

CENTER HUNG

MODEL NUMBER								
HOLD OPEN	STOP	FRICTION	FRAME OPENING	A	B	C	E	D
-	-	-	-	-	-	-	-	-
**4012RA	**4022RA	** 4032RA	** 27 TO 32	** 5-1/2	** 5-3/4	** 5-1/2	** 16	**17-1/16
4013RA	4023RA	4033RA	32-1/16 TO 38-1/2	6-15/16	6-3/16	5-3/4	18-7/8	18-13/16
4014RA	4024RA	4034RA	38-9/16 TO 45	9-3/4	8-1/4	7-1/2	23	21-1/4
4015RA	4025RA	4035RA	45-1/16 TO 48	13-1/2	9-5/8	9	26	23-1/16

* BUTT HINGE MOUNTING ONLY

** 90° MAX. OPENING



TO SELECT MAX. DEGREE OF DOOR OPENING

- a. LOOSEN SET SCREW IN ADJUSTING BLOCK WITH 3/16 HEX KEY
- b. OPEN DOOR TO DEGREE REQUIRED
- c. SLIDE ADJUSTING BLOCK/SPRING ASSEMBLY UNTIL THE SPRING TOUCHES SLIDING CAM.
- d. TIGHTEN SET SCREW
- e. **110° MAX.** DOOR SWING



® www.abhmfg.com
 E-mail: abhinfo@abhmfg.com
 Architectural Builders Hardware Mfg., Inc.
 1222 Ardmore Ave., Itasca, IL 60143
 630.875.9900; FAX 800.9FAXABH (932.9224)

©2018 ABH Mfg., Inc.
 printed in USA

4000RA-2-03

4000RA

PAGE 2 OF 2
 REVISED 09-17-18