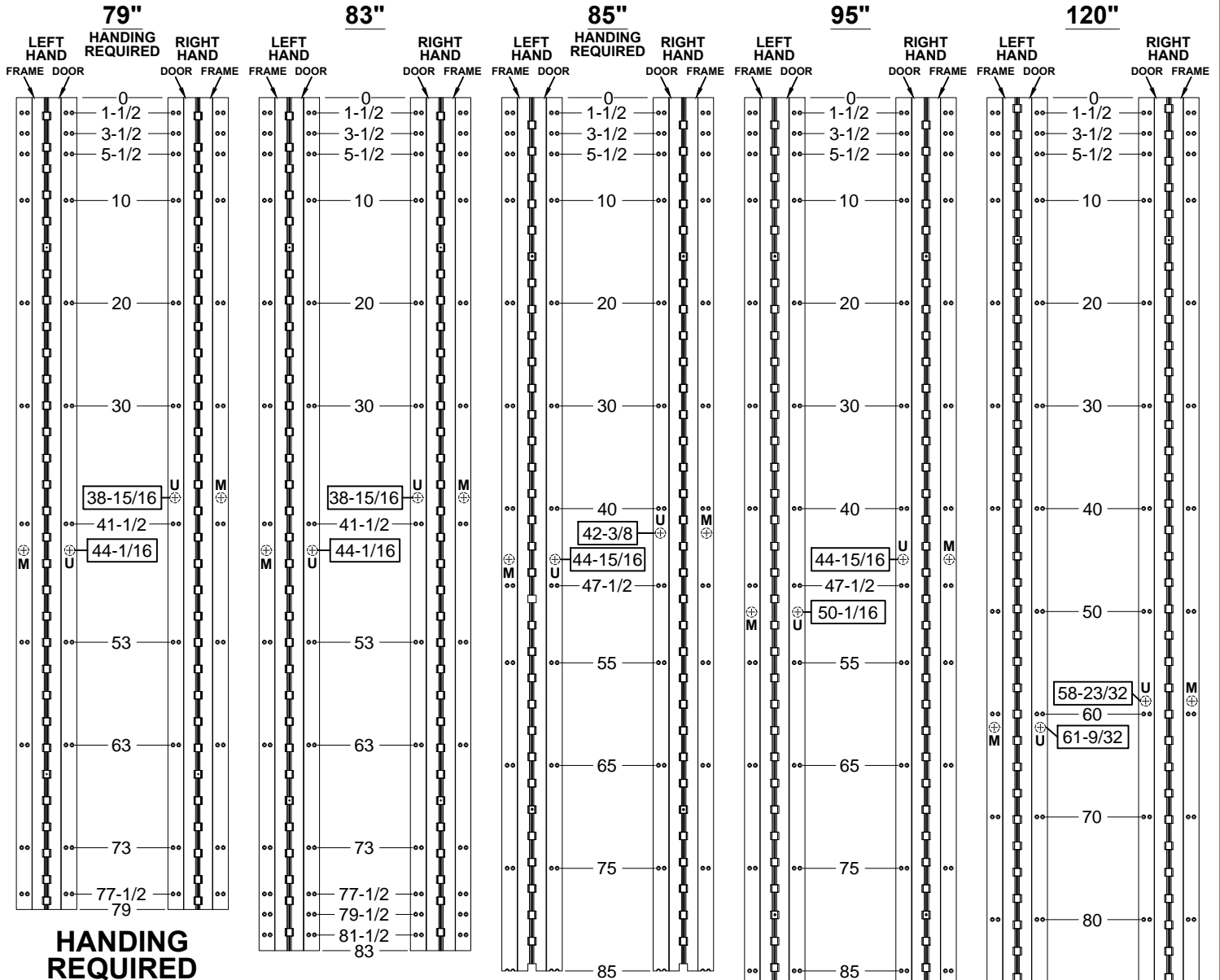


A110WT_HDLL - ALUMINUM GEARED HINGE, WIDE THROW, FLUSH MOUNT, FULL CONCEALED

- HINGES ARE SUPPLIED WITH LEAD-LINED MOUNTING HOLES FOR ADDITIONAL SUPPORT AS STANDARD
- "EM" OPTION, CONCEALED ELECTRIFICATION



**HANDING
REQUIRED**

**HANDING
REQUIRED**

**M = MONITOR SWITCH SIDE
U = MAGNET SIDE**

STANDARD HINGE SIZES & SCREW DETAIL

NOMINAL DOOR HEIGHT	6'8"	7'0"	7'2"	8'0"	10'0"	
ACTUAL HINGE LENGTH	79"	83"	85"	95"	120"	
MODEL: HDLL = HEAVY DUTY (HD) LEAD-LINED (LL)	HDLL	HDLL	HDLL	HDLL	HDLL	
FRAME	12-24 x 7/8" PHILLIPS FLAT HEAD, UNDERCUT, SELF DRILLING, THREAD FORMING TEK MACHINE SCREW	22	26	22	30	34
DOOR	12-24 x 7/8" PHILLIPS FLAT HEAD, UNDERCUT, SELF DRILLING, THREAD FORMING TEK MACHINE SCREW	22	26	22	30	34

A110WT-EM OPTION, CONCEALED ELECTRIFICATION-1-02.DWG



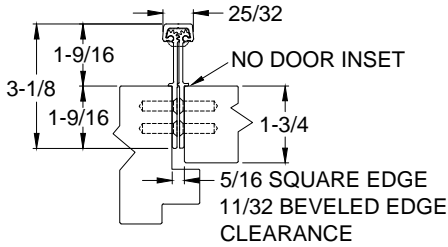
www.abhmfg.com
 E-mail: abhinfo@abhmfg.com
 Architectural Builders Hardware Mfg., Inc.
 1222 Ardmore Ave., Itasca, IL 60143
 630.875.9900; FAX 800.9FAXABH (932.9224)

© 2018 ABH Mfg., Inc.
 printed in USA

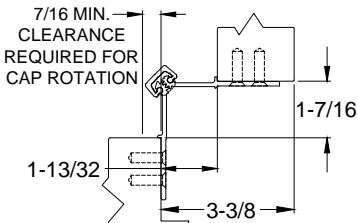
**A110WT - "EM" OPTION
 CONCEALED ELECTRIFICATION**

A110WT_HDLL - ALUMINUM GEARED HINGE, WIDE THROW, FLUSH MOUNT, FULL CONCEALED

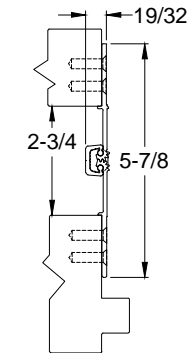
- HINGES ARE SUPPLIED WITH LEAD-LINED MOUNTING HOLES FOR ADDITIONAL SUPPORT AS STANDARD
- "EM" OPTION, CONCEALED ELECTRIFICATION



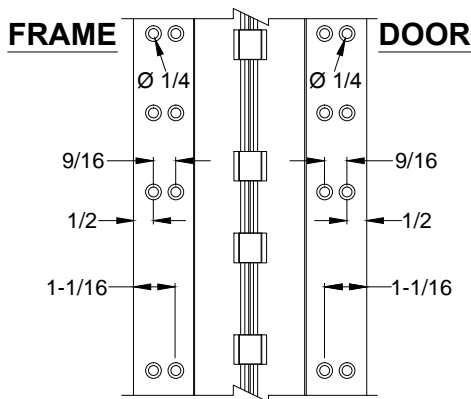
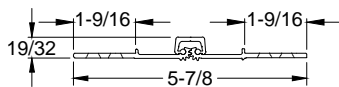
CLOSED POSITION



90° OPENING

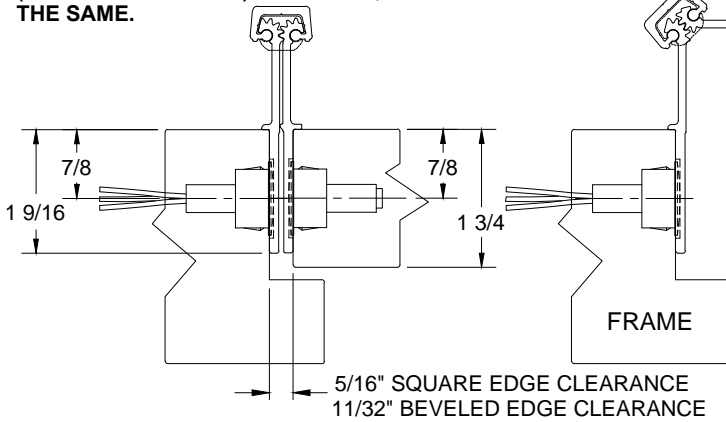


180° OPENING



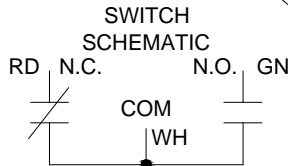
NOTES:

1. HINGES CUT TO CUSTOM LENGTH ARE CUT FROM BOTTOM OF HINGE.
2. SPECIFY HANDING WHEN ORDERING.
3. IF "M" OPTION (MOVEABLE PANEL) OR "R" OPTION (REMOVABLE PANEL) IS CHOSEN, TEMPLATE REMAINS THE SAME.

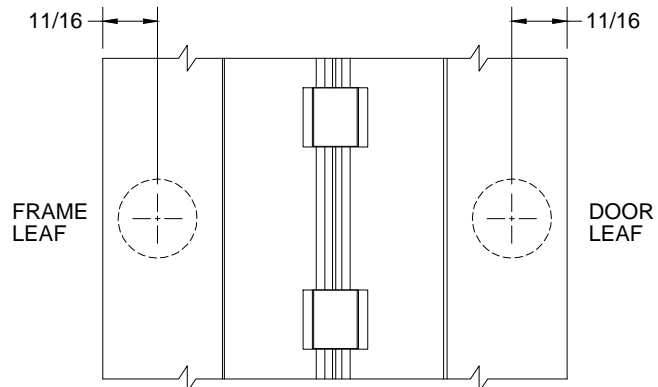
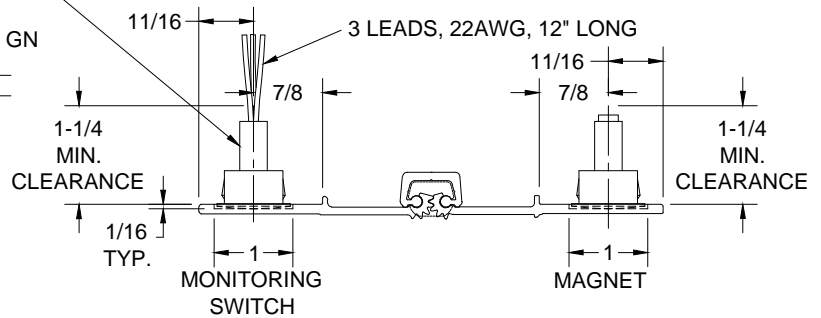


MAGNETIC MONITOR SWITCH VIEW, LEFT HAND SHOWN

NOTE: 7/8" DIA. MIN. CLEARANCE HOLE REQUIRED IN DOOR & FRAME FOR MONITORING SWITCH AND MAGNET



ELECTRICAL CONFIG.: SPDT
 MAX. INTIAL CONTACT RESISTANCE : 0.140 OHM
 MAX. CONTACT RATING: 5 WATT
 MAX. SWITCHING VOLTAGE: 175 VDC
 MAX. SWITCHING CURRENT: 0.25 AMP



MAGNETIC MONITOR SWITCH VIEW

A110WT-EM OPTION, CONCEALED ELECTRIFICATION-2-02.DWG



www.abhmf.com
 E-mail: abhinfo@abhmf.com
 Architectural Builders Hardware Mfg., Inc.
 1222 Ardmore Ave., Itasca, IL 60143
 630.875.9900; FAX 800.9FAXABH (932.9224)

**A110WT - "EM" OPTION
 CONCEALED ELECTRIFICATION**

© 2018 ABH Mfg., Inc.
 printed in USA

PAGE 2 OF 2
 ISSUED 12-05-18