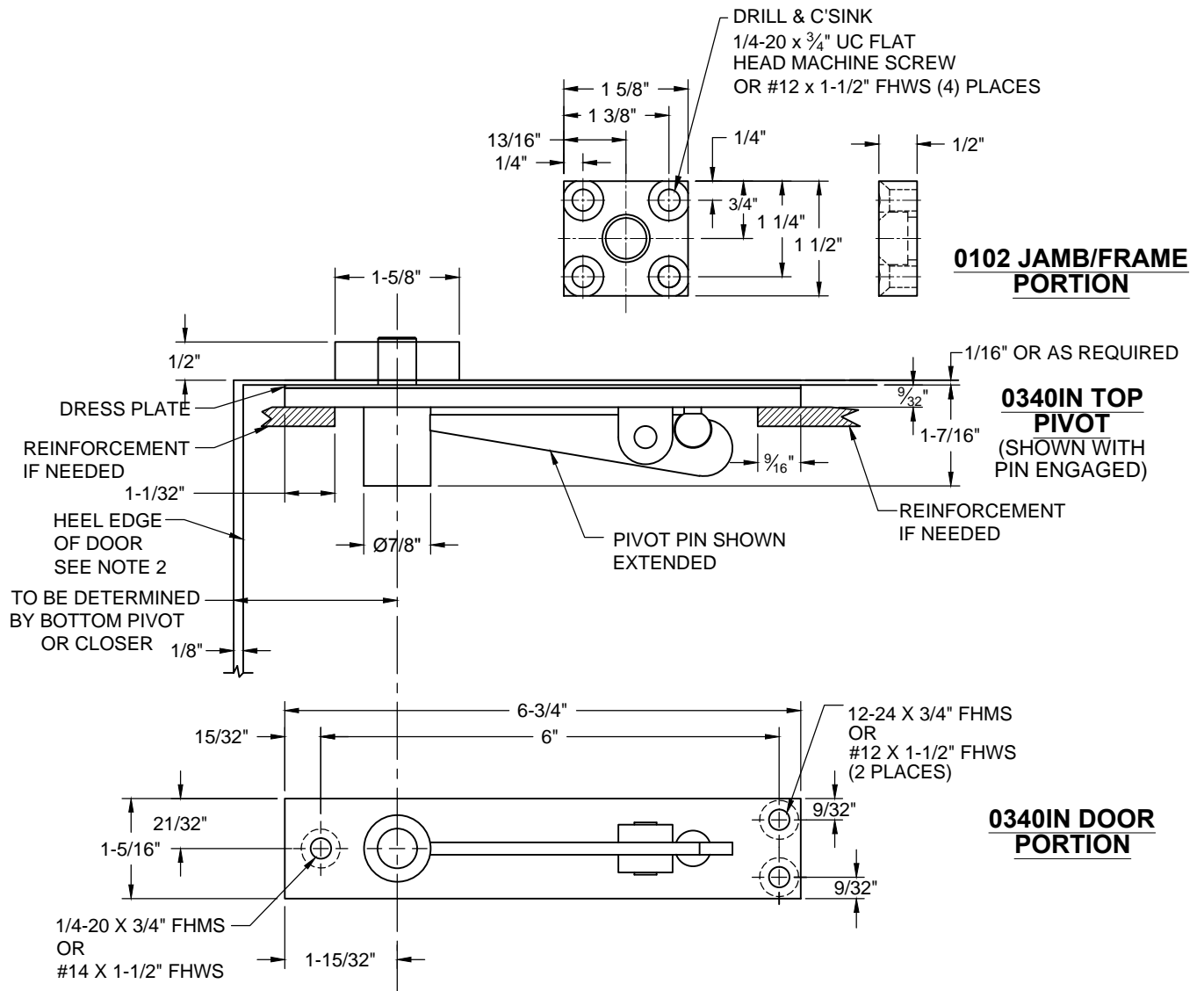


**0340IN x 0102, TOP PIVOT, INVERTED W/ BLOCK,
CENTER HUNG, NON-HANDED**



NOTES:

1. REINFORCING BY OTHERS.
2. RADIUS HEEL EDGE OF DOOR 1-1/4" MAX FOR 1-3/8" - 2-1/2" THICK DOORS
3. IT IS THE DOOR AND FRAME MANUFACTURERS RESPONSIBILITY TO CHECK THE HARDWARE SCHEDULE AND PREP THE DOORS AND FRAMES.
4. CENTERLINE OF TOP PIVOT PIN MUST BE PLUMB AND STRAIGHT WITH BOTTOM PIVOT OR CLOSER SPINDLE.
5. INSTALL THE JAMB PORTION PER TEMPLATE
6. INSTALL DOOR PORTION PER TEMPLATE.
7. PLACE DOOR ON BOTTOM PIVOT AND LEAN THE TOP OF THE DOOR NEAR THE TOP JAMB.
8. ENGAGE TOP PIVOT PIN BY TURNING ADJUSTING SCREW CLOCKWISE WHEN DOOR PORTION IS IN ALIGNMENT WITH THE JAMB PORTION.