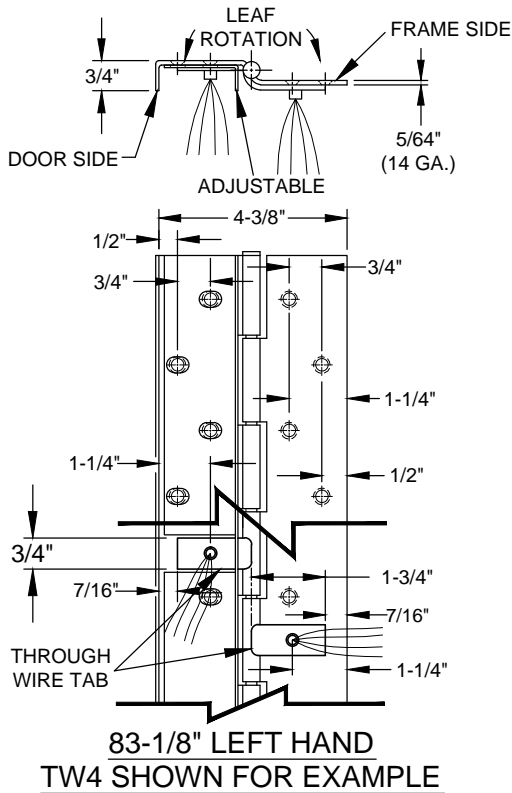
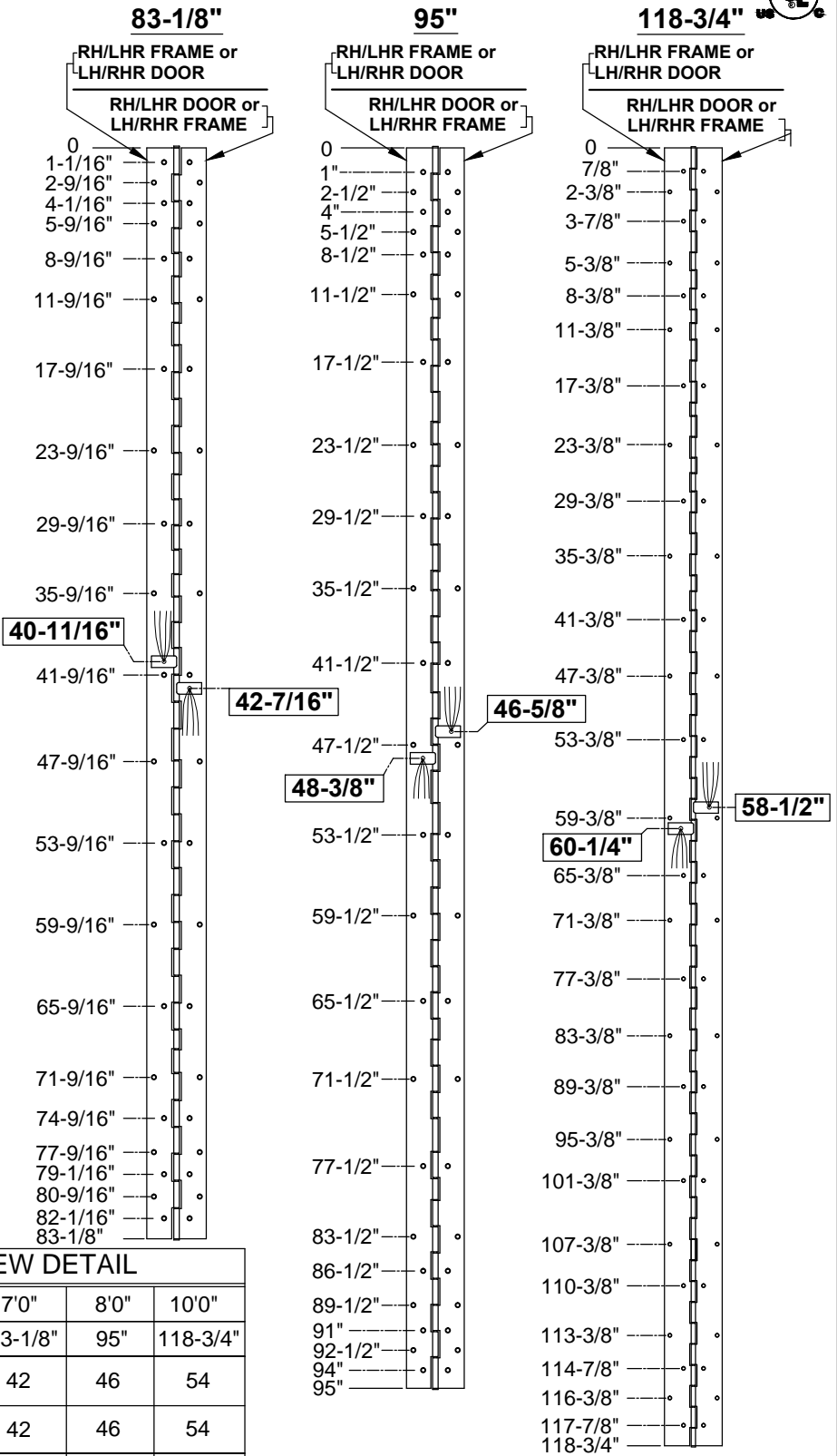


A505RB - "TW" or "EZ" OPTION, RAISED BARREL, CONCEALED ELECTRIFICATION, FULL CONCEALED, DUAL EDGE GUARD, STAINLESS STEEL HINGE



NOTES:

- HINGES CUT TO CUSTOM LENGTH ARE CUT FROM BOTTOM OF HINGE.
- SPECIFY HANDING WHEN ORDERING.
- SPECIFY WIRE CONFIGURATION WHEN ORDERING, TEMPLATE REMAINS THE SAME.
 - CT4
 - CT8
 - CT12
 - CT4 x EZ *
 - CT8 x EZ *
 - CT12 x EZ *
- IF "M" OPTION (MOVEABLE PANEL) IS CHOSEN, TEMPLATE REMAINS THE SAME.
- 30 AWG WIRES, APPROX. 4" LONG PER SIDE, RATED 2 AMP CONTINUOUS LOW VOLTAGE.
- THRU WIRE LOCATION DIMENSIONS +/- 1/16".



STANDARD HINGE SIZES & SCREW DETAIL

NOMINAL DOOR HEIGHT	7'0"	8'0"	10'0"
ACTUAL HINGE HEIGHT	83-1/8"	95"	118-3/4"
10-24 x 7/8" PHILLIPS FLAT HEAD, UNDERCUT, SELF-DRILLING MACHINE SCREW	42	46	54
#10 x 1-1/4" PHILLIPS FLAT HEAD, UNDERCUT, SHEET METAL SCREW	42	46	54
"AS" ADJUSTABLE STUDS & 10-32 x 3/4" PHILLIPS FLAT HEAD, UNDERCUT, MACHINE SCREW	21	23	27

THIS DRAWING IS NOT TO SCALE.

A505RB-TW or EZ OPTION, CONCEALED ELECTRIFICATION-1-01.DWG



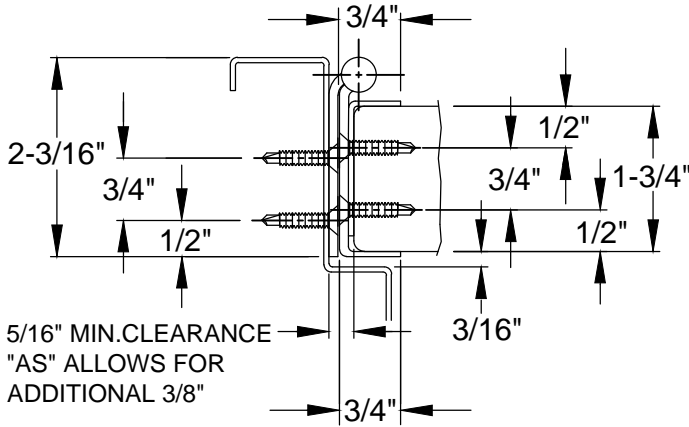
www.abhmfg.com
E-mail: abhinfo@abhmfg.com
Architectural Builders Hardware Mfg., Inc.
1222 Ardmore Ave., Itasca, IL 60143
630.875.9900; FAX 800.9FAXABH (932.9224)

**A505RB - "TW" or "EZ" OPTION
CONCEALED ELECTRIFICATION**

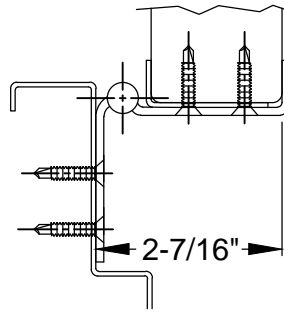
© 2018 ABH Mfg., Inc.
printed in USA

PAGE 1 OF 2
REVISED 11-14-16

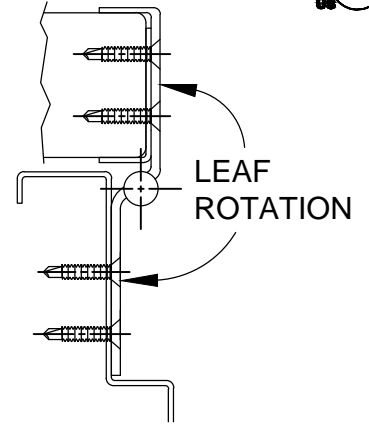
A505RB - "TW" or "EZ" OPTION, RAISED BARREL, CONCEALED ELECTRIFICATION, FULL CONCEALED, DUAL EDGE GUARD, STAINLESS STEEL HINGE



CLOSED POSITION
(WIRES NOT SHOWN)

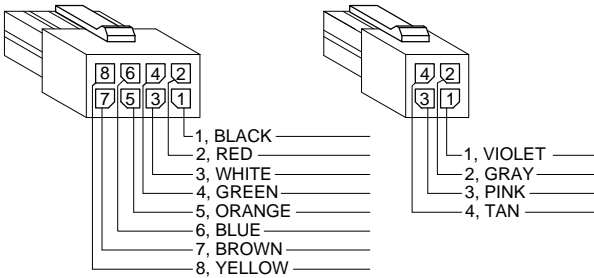


90° OPEN POSITION
(WIRES NOT SHOWN)

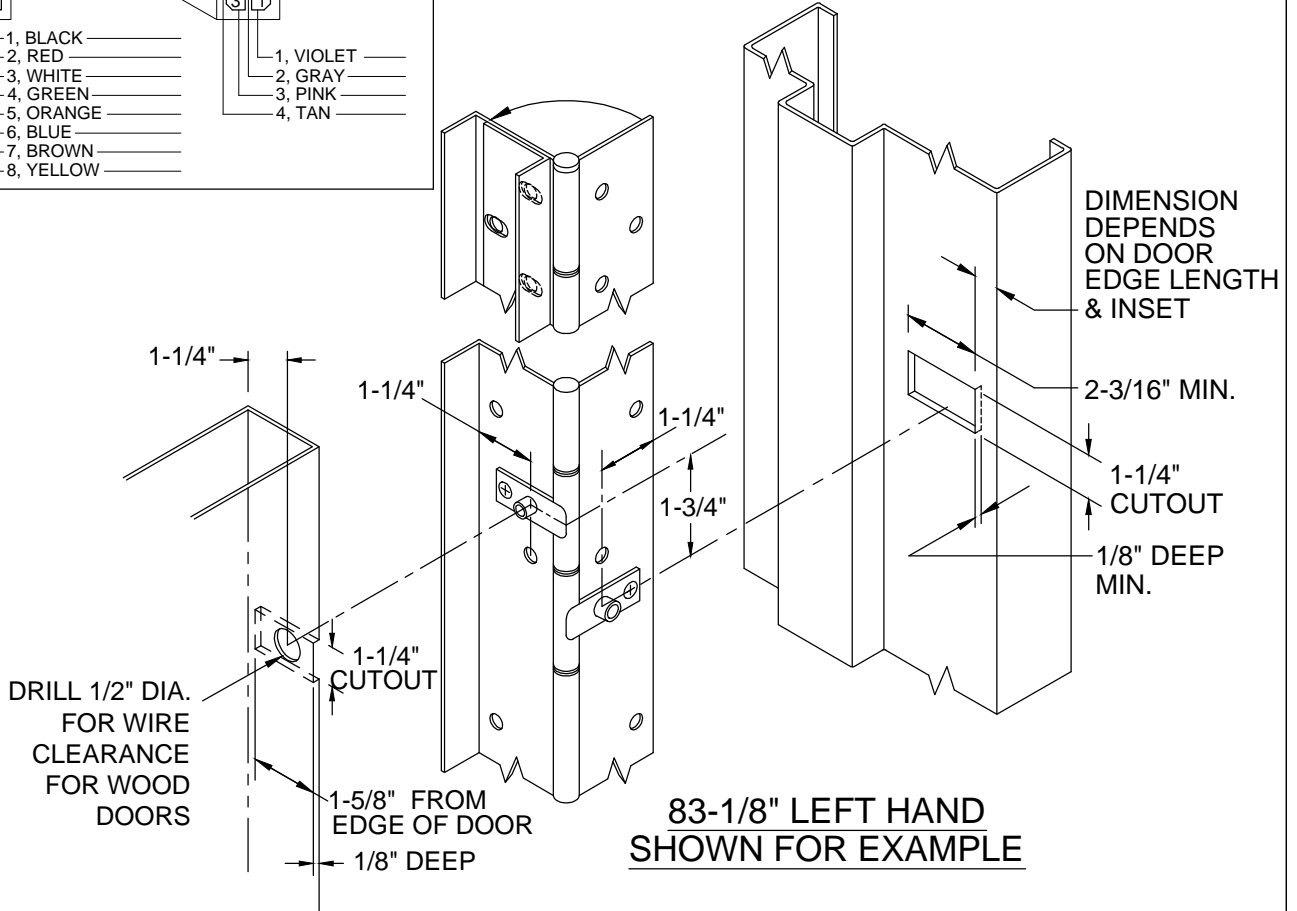


180° OPEN POSITION
(WIRES NOT SHOWN)

EZ CONNECT OPTION



- 1, BLACK
 - 2, RED
 - 3, WHITE
 - 4, GREEN
 - 5, ORANGE
 - 6, BLUE
 - 7, BROWN
 - 8, YELLOW
- 1, VIOLET
 - 2, GRAY
 - 3, PINK
 - 4, TAN



83-1/8" LEFT HAND
SHOWN FOR EXAMPLE

A505RB-TW or EZ OPTION, CONCEALED ELECTRIFICATION-2-01.DWG



www.abhmfg.com
E-mail: abhinfo@abhmfg.com
Architectural Builders Hardware Mfg., Inc.
1222 Ardmore Ave., Itasca, IL 60143
630.875.9900; FAX 800.9FAXABH (932.9224)

A505RB - "TW" or "EZ" OPTION
CONCEALED ELECTRIFICATION

© 2018 ABH Mfg., Inc.
printed in USA

PAGE 2 OF 2
REVISED 11-14-16