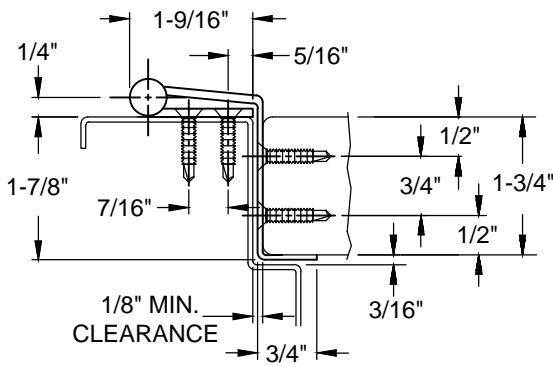
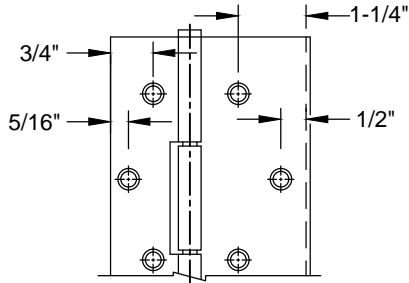
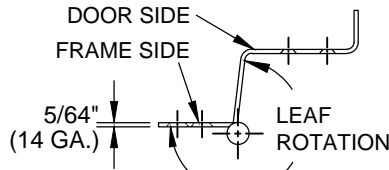
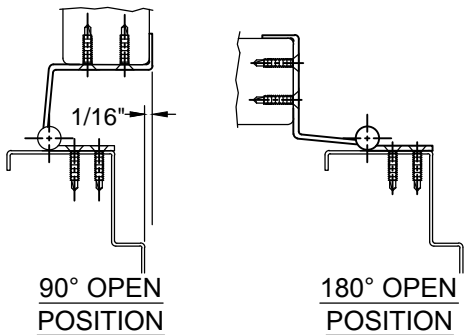


# A511 - STAINLESS STEEL HINGE, SWING CLEAR W/ SINGLE EDGE GUARD



**CLOSED POSITION**



**90° OPEN POSITION**

**180° OPEN POSITION**

**NOTE : HINGES CUT TO CUSTOM LENGTH ARE CUT FROM BOTTOM - PLEASE SPECIFY HANDING**

| 78-3/4"<br>(HANDING REQUIRED) | 83-1/8" | 85"<br>(HANDING REQUIRED) | 95" | 118-3/4" |
|-------------------------------|---------|---------------------------|-----|----------|
| 0                             | 0       | 0                         | 0   | 0        |
| 1-1/16"                       |         | 1"                        |     | 7/8"     |
| 2-9/16"                       |         | 2-1/2"                    |     | 2-3/8"   |
| 4-1/16"                       |         | 4"                        |     | 3-7/8"   |
| 5-9/16"                       |         | 5-1/2"                    |     | 5-3/8"   |
|                               |         | 8-1/2"                    |     | 8-3/8"   |
| 8-9/16"                       |         |                           |     | 11-3/8"  |
| 11-9/16"                      |         | 11-1/2"                   |     | 14-5/8"  |
| 14-13/16"                     |         | 14-3/4"                   |     | 17-3/8"  |
| 17-9/16"                      |         | 17-1/2"                   |     | 19-1/8"  |
| 19-5/16"                      |         | 19-1/4"                   |     | 23-3/8"  |
| 23-9/16"                      |         | 23-1/2"                   |     | 25-3/8"  |
| 25-9/16"                      |         | 25-1/2"                   |     | 29-3/8"  |
| 29-9/16"                      |         | 29-1/2"                   |     | 29-5/8"  |
| 29-13/16"                     |         | 29-3/4"                   |     | 35-3/8"  |
| 35-9/16"                      |         | 35-1/2"                   |     | 35-7/8"  |
| 36-1/16"                      |         | 36"                       |     | 40-3/8"  |
| 40-9/16"                      |         | 40-1/2"                   |     | 41-3/8"  |
| 41-9/16"                      |         | 41-1/2"                   |     | 46-5/8"  |
| 42-9/16"                      |         |                           |     | 47-3/8"  |
| 47-1/16"                      |         | 47-1/2"                   |     | 51-1/8"  |
| 47-9/16"                      |         |                           |     | 53-3/8"  |
| 53-5/16"                      |         | 53-1/2"                   |     | 57-3/8"  |
| 53-9/16"                      |         | 54-1/2"                   |     | 59-3/8"  |
| 57-9/16"                      |         | 59"                       |     | 61-3/8"  |
| 59-9/16"                      |         | 59-1/2"                   |     | 65-3/8"  |
| 63-13/16"                     |         |                           |     | 67-5/8"  |
| 65-9/16"                      |         | 65-1/4"                   |     | 71-3/8"  |
| 68-5/16"                      |         | 65-1/2"                   |     | 72-1/8"  |
| 71-9/16"                      |         | 69-1/2"                   |     | 77-3/8"  |
| 74-9/16"                      |         | 71-1/2"                   |     | 78-3/8"  |
| 77-9/16"                      |         | 75-3/4"                   |     | 82-7/8"  |
| 79-1/16"                      |         | 77-1/2"                   |     | 83-3/8"  |
| 80-9/16"                      |         | 80-1/4"                   |     | 89-1/8"  |
| 82-1/16"                      |         | 83-1/2"                   |     | 89-3/8"  |
| 83-1/8"                       |         | 86-1/2"                   |     | 93-3/8"  |
|                               |         | 89-1/2"                   |     | 95-3/8"  |
|                               |         | 91"                       |     | 99-5/8"  |
|                               |         | 92-1/2"                   |     | 101-3/8" |
|                               |         | 94"                       |     | 104-1/8" |
|                               |         | 95"                       |     | 107-3/8" |
|                               |         |                           |     | 110-3/8" |
|                               |         |                           |     | 113-3/8" |
|                               |         |                           |     | 114-7/8" |
|                               |         |                           |     | 116-3/8" |
|                               |         |                           |     | 117-7/8" |
|                               |         |                           |     | 118-3/4" |

THIS DRAWING IS NOT TO SCALE.

| STANDARD HINGE SIZES & SCREW DETAIL  |         |         |      |      |          |
|--|---------|---------|------|------|----------|
| NOMINAL DOOR HEIGHT  | 6'8"    | 7'0"    | 7'2" | 8'0" | 10'0"    |
| ACTUAL HINGE HEIGHT  | 78-3/4" | 83-1/8" | 85"  | 95"  | 118-3/4" |
| 10-24 x 7/8" PHILLIPS FLAT HEAD, UNDERCUT, SELF-DRILLING, TEK MACHINE SCREW      | 43      | 43      | 43   | 46   | 54       |
| #10 x 1-1/4" PHILLIPS FLAT HEAD, UNDERCUT, SHEET METAL SCREW                     | 43      | 43      | 43   | 46   | 54       |
| "AS" ADJUSTABLE STUDS & 10-32 x 3/4" PHILLIPS FLAT HEAD, UNDERCUT, MACHINE SCREW | 21      | 21      | 21   | 23   | 27       |

A511-STAINLESS STEEL HINGE.01.DWG



www.abhmfg.com  
 E-mail: abhinfo@abhmfg.com  
 Architectural Builders Hardware Mfg., Inc.  
 1222 Ardmore Ave., Itasca, IL 60143  
 630.875.9900; FAX 800.9FAXABH (932.9224)

©2019 ABH Mfg., Inc.  
 printed in USA

**A511**  
**STAINLESS STEEL HINGE**

PAGE 1 OF 1  
 ISSUED 08-09-19