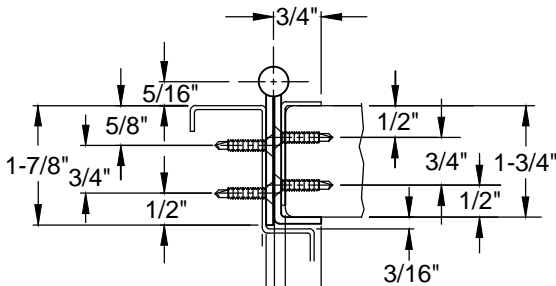
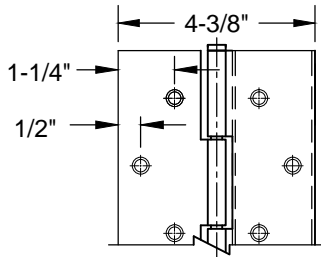
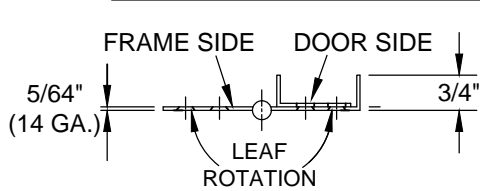
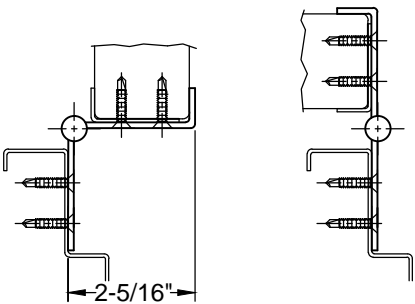


# A505 - STAINLESS STEEL HINGE, WITH DUAL EDGE GUARD



5/16" MIN. CLEARANCE  
"AS" ALLOWS FOR  
ADDITIONAL 3/8"

### CLOSED POSITION



90° OPEN  
POSITION

180° OPEN  
POSITION

**NOTE : HINGES CUT TO CUSTOM LENGTH ARE CUT FROM  
BOTTOM - PLEASE SPECIFY HANDING**

78-3/4" (HANDING REQUIRED)	83-1/8"	85" (HANDING REQUIRED)	95"	118-3/4"
0	0	0	0	0
1-1/16"		1"		7/8"
2-9/16"		2-1/2"		2-3/8"
4-1/16"		4"		3-7/8"
5-9/16"		5-1/2"		5-3/8"
		8-1/2"		8-3/8"
8-9/16"		11-1/2"		11-3/8"
11-9/16"		17-1/2"		17-3/8"
17-9/16"		23-1/2"		23-3/8"
23-9/16"		29-1/2"		29-3/8"
29-9/16"		35-1/2"		35-3/8"
35-9/16"		41-1/2"		41-3/8"
41-9/16"		47-1/2"		47-3/8"
47-9/16"		53-1/2"		53-3/8"
53-9/16"		59-1/2"		59-3/8"
59-9/16"		65-1/2"		65-3/8"
65-9/16"		71-1/2"		71-3/8"
71-9/16"		77-1/2"		77-3/8"
74-9/16"				83-3/8"
77-9/16"				89-3/8"
79-1/16"				95-3/8"
80-9/16"				101-3/8"
82-1/16"				107-3/8"
83-1/8"				110-3/8"
		83-1/2"		113-3/8"
		86-1/2"		114-7/8"
		89-1/2"		116-3/8"
		91"		117-7/8"
		92-1/2"		118-3/4"
		94"		
		95"		

### STANDARD HINGE SIZES & SCREW DETAIL

NOMINAL DOOR HEIGHT	6'8"	7'0"	7'2"	8'0"	10'0"
ACTUAL HINGE HEIGHT	78-3/4"	83-1/8"	85"	95"	118-3/4"
10-24 x 7/8" PHILLIPS FLAT HEAD, UNDERCUT, SELF-DRILLING, TEK MACHINE SCREW	42	42	42	46	54
#10 x 1-1/4" PHILLIPS FLAT HEAD, UNDERCUT, SHEET METAL SCREW	42	42	42	46	54
"AS" ADJUSTABLE STUDS & 10-32 x 3/4" PHILLIPS FLAT HEAD, UNDERCUT, MACHINE SCREW	21	21	21	23	27

NOTE: THIS DRAWING IS NOT TO SCALE.

A505-STAINLESS STEEL HINGE-01.DWG



www.abhmfg.com  
E-mail: abhinfo@abhmfg.com  
Architectural Builders Hardware Mfg., Inc.  
1222 Ardmore Ave., Itasca, IL 60143  
630.875.9900; FAX 800.9FAXABH (932.9224)

© 2018 ABH Mfg., Inc.  
printed in USA

**A505**  
**STAINLESS STEEL HINGE**

PAGE 1 OF 1  
ISSUED 02-17-17