

A526 - STAINLESS STEEL HINGE, SWING CLEAR W/ DUAL EDGE GUARD



FOR SQUARE EDGE DOOR

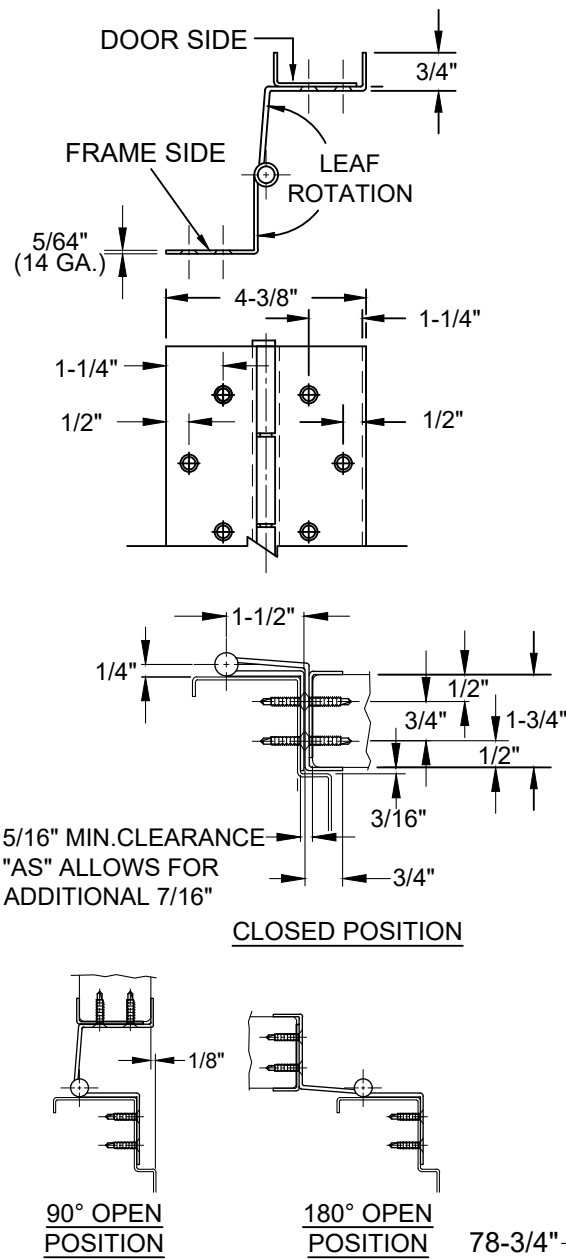
78-3/4" (HANDING REQUIRED)

83-1/8"

85" (HANDING REQUIRED)

95"

118-3/4"



0	1-1/16"	1	0 7/8"
1	2-9/16"	2-1/2"	2-3/8"
2	4-1/16"	4"	3-7/8"
3	5-9/16"	5-1/2"	5-3/8"
4	8-9/16"	8-1/2"	8-3/8"
5	11-9/16"	11-1/2"	11-3/8"
6	17-9/16"	17-1/2"	17-3/8"
7	23-9/16"	23-1/2"	23-3/8"
8	29-9/16"	29-1/2"	29-3/8"
9	35-9/16"	35-1/2"	35-3/8"
10	41-9/16"	41-1/2"	41-3/8"
11	47-9/16"	47-1/2"	47-3/8"
12	53-9/16"	53-1/2"	53-3/8"
13	59-9/16"	59-1/2"	59-3/8"
14	65-9/16"	65-1/2"	65-3/8"
15	71-9/16"	71-1/2"	71-3/8"
16	74-9/16"	77-1/2"	77-3/8"
17	77-9/16"	77-1/2"	83-3/8"
18	79-1/16"	83-1/2"	89-3/8"
19	80-9/16"	86-1/2"	95-3/8"
20	82-1/16"	89-1/2"	101-3/8"
21	83-1/8"	91"	107-3/8"
		92-1/2"	110-3/8"
		94"	113-3/8"
		95"	114-7/8"
			116-3/8"
			117-7/8"
			118-3/4"

NOTE : HINGES CUT TO CUSTOM LENGTH ARE CUT FROM BOTTOM - PLEASE SPECIFY HANDING

STANDARD HINGE SIZES & SCREW DETAIL					
NOMINAL DOOR HEIGHT	6'8"	7'0"	7'2"	8'0"	10'0"
ACTUAL HINGE HEIGHT	78-3/4"	83-1/8"	85"	95"	118-3/4"
10-24 x 7/8" PHILLIPS FLAT HEAD, UNDERCUT, SELF-DRILLING, MACHINE SCREW	42	42	42	46	54
#10 x 1-1/4" PHILLIPS FLAT HEAD, UNDERCUT, SHEET METAL SCREW	42	42	42	46	54
"AS" ADJUSTABLE STUDS & 10-32 x 3/4" PHILLIPS FLAT HEAD, UNDERCUT, MACHINE SCREW	21	21	21	23	27

NOTE: THIS DRAWING IS NOT TO SCALE

A526-STAINLESS STEEL HINGE-02.DWG



www.abhmf.com
 E-mail: abhinfo@abhmf.com
 Architectural Builders Hardware Mfg., Inc.
 1222 Ardmore Ave., Itasca, IL 60143
 630.875.9900; FAX 800.9FAXABH (932.9224)

© 2022 ABH Mfg., Inc.
 printed in USA

A526
 STAINLESS STEEL HINGE

PAGE 1 OF 1
 REVISED 02-04-22