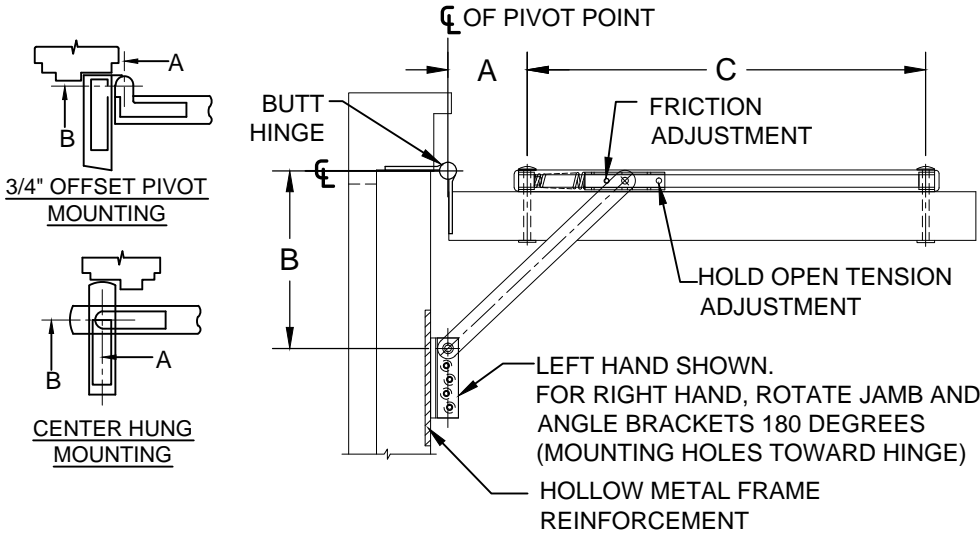
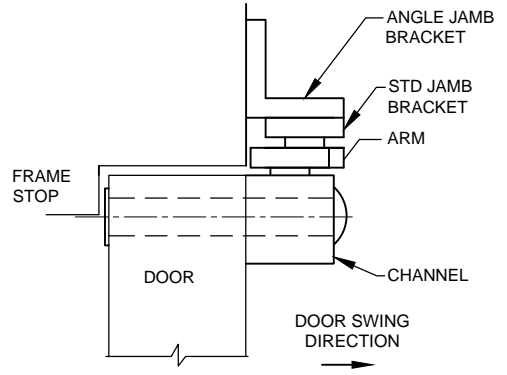
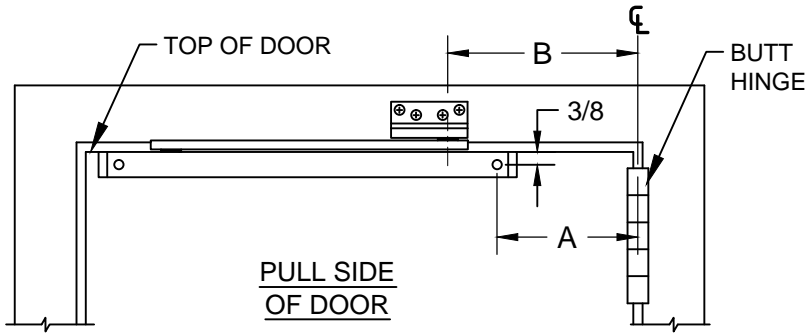


# 4400 SERIES SURFACE HOLDERS & STOPS

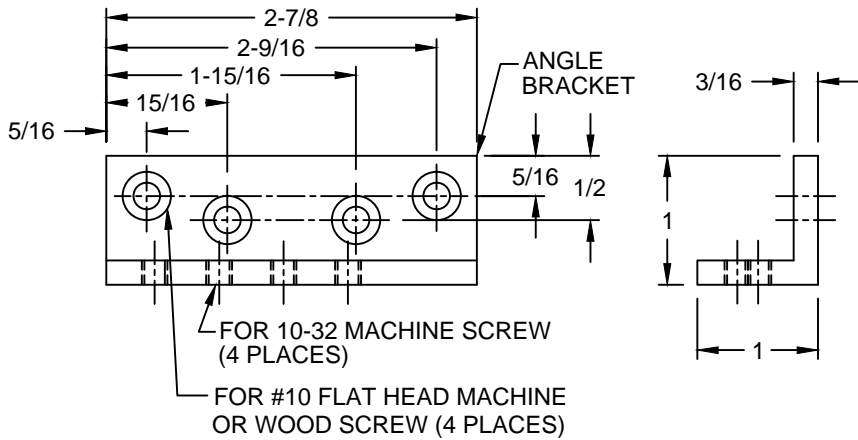
## X 44443 ANGLE JAMB BRACKET SURFACE MOUNTED ON PULL SIDE



**A** =  $\epsilon$  OF PIVOT POINT TO  $\epsilon$  OF FIRST SEX BOLT.  
**B** =  $\epsilon$  OF PIVOT POINT TO  $\epsilon$  OF PIVOT POINT OF JAMB BRACKET  
**C** =  $\epsilon$  OF FIRST SEX BOLT HOLE TO  $\epsilon$  OF SECOND SEX BOLT HOLE ON SURFACE MOUNT CHANNEL



REVERSE INSTALLATION PULL SIDE OF DOOR



**NOTES:**

1. THE ANGLE BRACKET IS SECURED TO THE HEADER WITH WOOD OR MACHINE SCREWS.
2. THE JAMB BRACKET FASTENS TO THE ANGLE BRACKET WITH MACHINE SCREWS.
3. REVERSE INSTALLATION METHOD IS NOT RECOMMENDED FOR EXTERIOR DOORS OPENING OUT.
4. REVERSIBLE/ NON - HANDED.
5. FOR SINGLE ACTING DOORS ONLY.
6. ALL DRILLING AND TAPPING TO BE DONE IN FIELD.
7. ALWAYS REQUEST LATEST TEMPLATE/ DRAWING FOR NEW INSTALLATIONS.
8. ALL DIMENSIONS ARE IN INCHES.
9. DRAWING IS NOT TO SCALE.

SCREW DETAIL			
	QTY	WOOD	METAL
ANGLE BRACKET	4	• #10 x 1-1/2" FLAT HEAD WOOD SCREW	• 10-32 x 1/2" FLAT HEAD MACHINE SCREW
DOOR	2	• 10-32 x 1-1/2" TRUSS HEAD SCREW • 5/16" DIA. SEX BOLT (SPECIAL 10-32x1-5/8" FLAT HEAD)	
JAMB BRACKET	4	• 10-32 x 1/2" FLAT HEAD MACHINE SCREW	



www.abhmfg.com  
 E-mail: abhinfo@abhmfg.com  
 Architectural Builders Hardware Mfg., Inc.  
 1222 Ardmore Ave., Itasca, IL 60143  
 630.875.9900; FAX 800.9FAXABH (932.9224)

©2018 ABH Mfg., Inc.  
 printed in USA

4400PULL-1-04.DWG  
**4400 X 44443**  
**PULL SIDE**  
 PAGE 1 OF 2  
 REVISED 02-15-18

## 4400 SERIES SURFACE HOLDERS & STOPS

### X 44443 ANGLE JAMB BRACKET SURFACE MOUNTED ON PULL SIDE

- 4410 HOLD-OPEN    ● 4420 STOP    ● 4430 FRICTION

1. FOR DEAD STOP CONSULT ABH.  
2. ALL DIMENSIONS ARE IN INCHES.

\* BUTT HINGE ONLY

DOOR THICK-NESS	DEGREE		85° H.O.		90° H.O.		95° H.O.		100° H.O.		105° H.O.		110° H.O.		C
	MODEL NO.	DOOR OPENING	A	B	A	B	A	B	A	B	A	B	A	B	
1-3/4" TO 2-3/8"	●4411 ●4421 ●4431	19" TO 23-15/16"	3-3/4 *	6 *	3-9/16 *	5-1/2 *	3-5/16 *	5-1/4 *	3-1/8 *	5 *	2-15/16 *	4-3/4 *	2-13/16 *	4-1/2 *	13-11/16
	●4412 ●4422 ●4432	24" TO 29-15/16"	6-1/2	7-1/8	6-1/4	6-1/2	6	6	5-7/8	5-1/2	5-5/8	5-1/4	5-7/16	5	15-9/16
	●4413 ●4423 ●4433	30" TO 35-15/16"	11-5/8	8-1/2	11-1/16	8	10-15/16	7	10-11/16	6-1/2	10-5/16	6-1/4	10	6	16-7/16
BUTT HINGE, 3/4" OFFSET PIVOT	●4414 ●4424 ●4434	36" TO 48"	16	10-1/16	15-1/2	9-1/8	15-3/16	8-1/4	14-3/4	7-3/4	14-3/8	7-1/2	13-15/16	7-1/4	18-1/16

DOOR THICK-NESS	DEGREE		85° H.O.		90° H.O.		95° H.O.		100° H.O.		105° H.O.		110° H.O.		C
	MODEL NO.	DOOR OPENING	A	B	A	B	A	B	A	B	A	B	A	B	
1-3/8" TO 2-3/8"	●4411 ●4421 ●4431	22" TO 27-7/16"	4-1/4	5-5/8	3-3/4	5-7/16	3-3/8	5-1/4	3-1/8	5	2-3/4	4-7/8	2-1/2	4-3/4	13-11/16
	●4412 ●4422 ●4432	27-1/2" TO 33-7/16"	7-1/8	6-3/4	6-3/4	6-3/8	6-7/16	6	6-1/16	5-3/4	5-3/4	5-1/2	5-9/16	5-1/4	15-9/16
	●4413 ●4423 ●4433	33-1/2" TO 38-15/16"	11-13/16	9	11-1/2	8-1/4	11	7-15/16	10-9/16	7-1/2	10-1/8	7-1/4	9-3/4	7	16-7/16
CENTER HUNG	●4414 ●4424 ●4434	39" TO 48"	16-5/8	10-1/4	16	9-5/8	15-7/8	8-3/4	15	8-1/2	14-1/2	8-1/4	14	8	18-1/16

WHEN USING CENTER HUNG PIVOTS, CONTACT ABH  
FOR COMPATIBILITY BEFORE SPECIFYING



www.abhmfg.com  
E-mail: abhinfo@abhmfg.com  
Architectural Builders Hardware Mfg., Inc.  
1222 Ardmore Ave., Itasca, IL 60143  
630.875.9900; FAX 800.9FAXABH (932.9224)

©2018 ABH Mfg., Inc.  
printed in USA

4400 X 44443  
ON PULL SIDE  
PAGE 2 OF 2  
REVISED 02-15-18

4400PULL-2-04.DWG