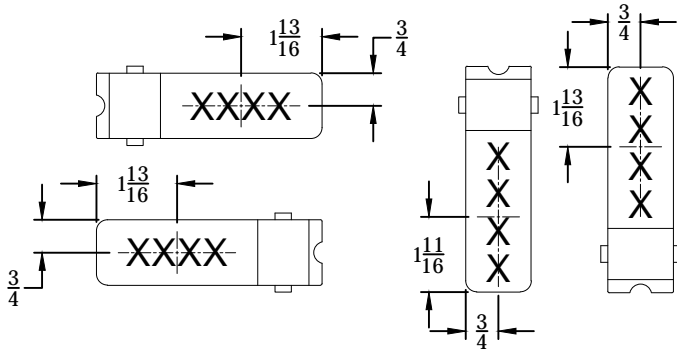
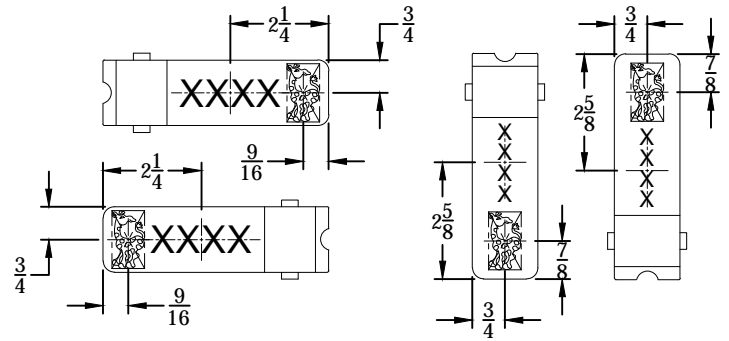


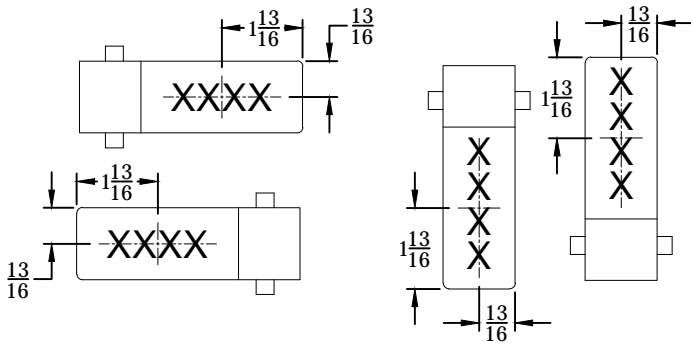
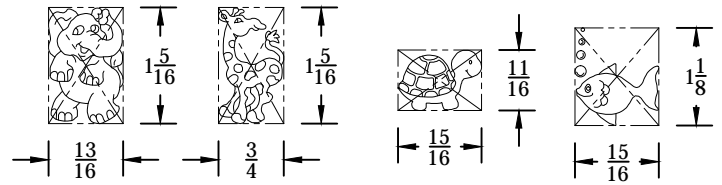
ENGRAVING GUIDE FOR PUSH / PULL HANDLES



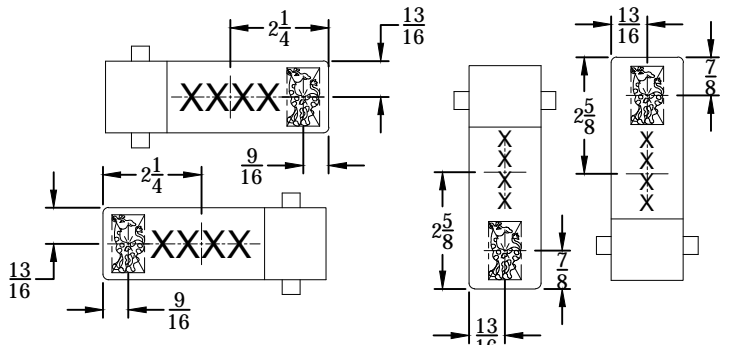
6000
HANDLE



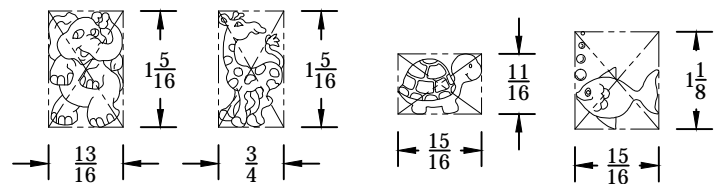
6000 HANDLE
WITH
ANIMAL STAMP



6800
HANDLE



6800 HANDLE
WITH
ANIMAL STAMP



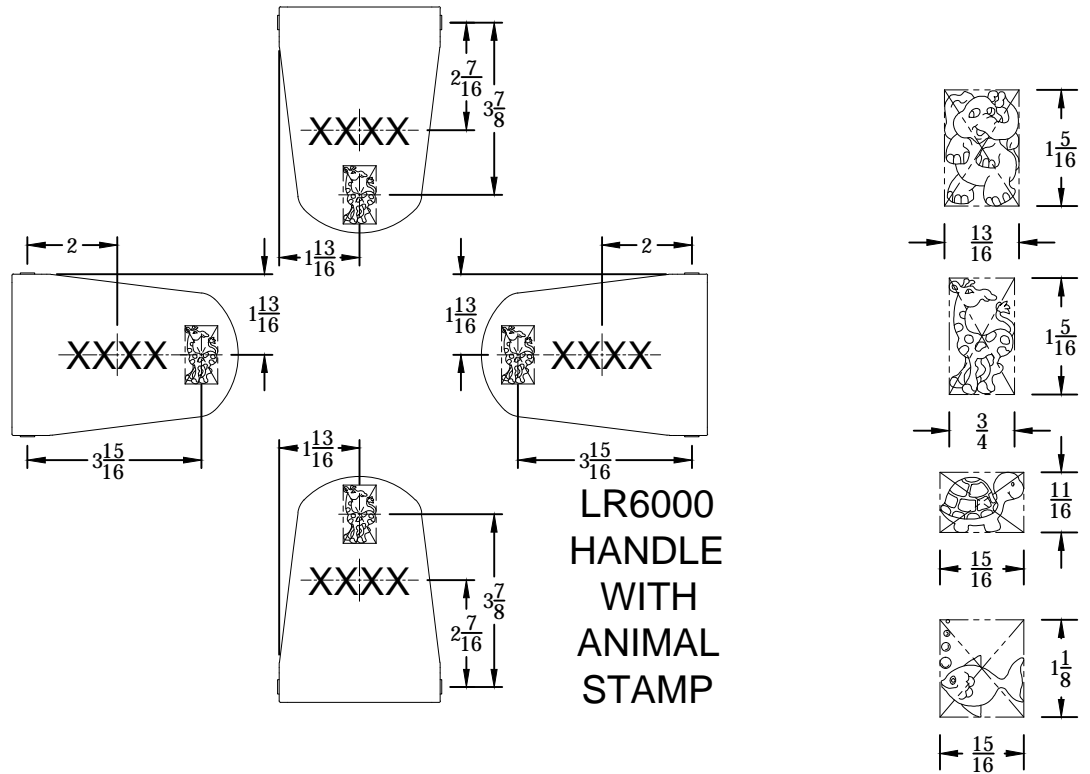
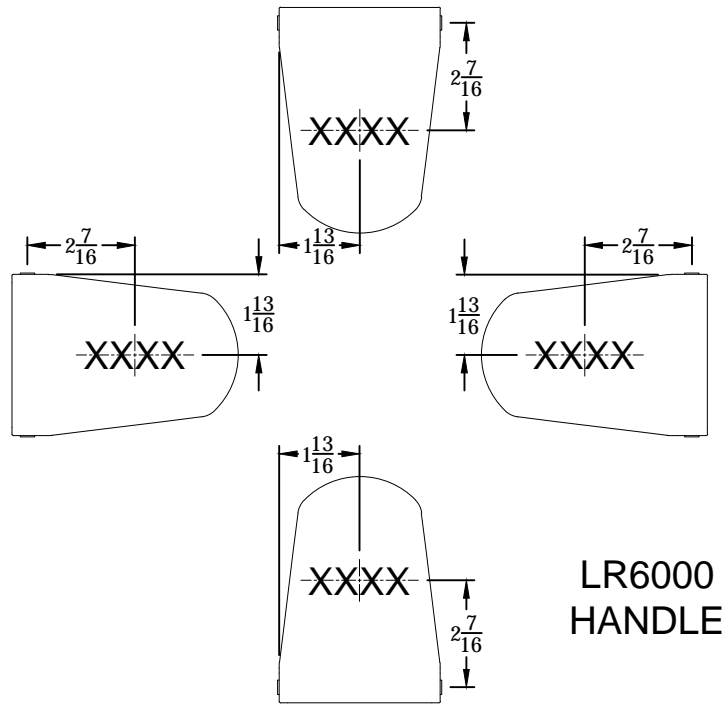
® www.abhmfg.com
E-mail: abhinfo@abhmfg.com
Architectural Builders Hardware Mfg., Inc.
1222 Ardmore Ave., Itasca, IL 60143
630.875.9900; FAX 800.9FAXABH (932.9224)

©2017 ABH Mfg., Inc.
printed in USA

ENGRAVING GUIDE PUSH-PULL-1-02.DWG

ENGRAVING GUIDE
PUSH / PULL
PAGE 1 OF 3
ISSUED 11-09-17

ENGRAVING GUIDE FOR PUSH / PULL HANDLES



ENGRAVING GUIDE PUSH-PULL-2-02.DWG

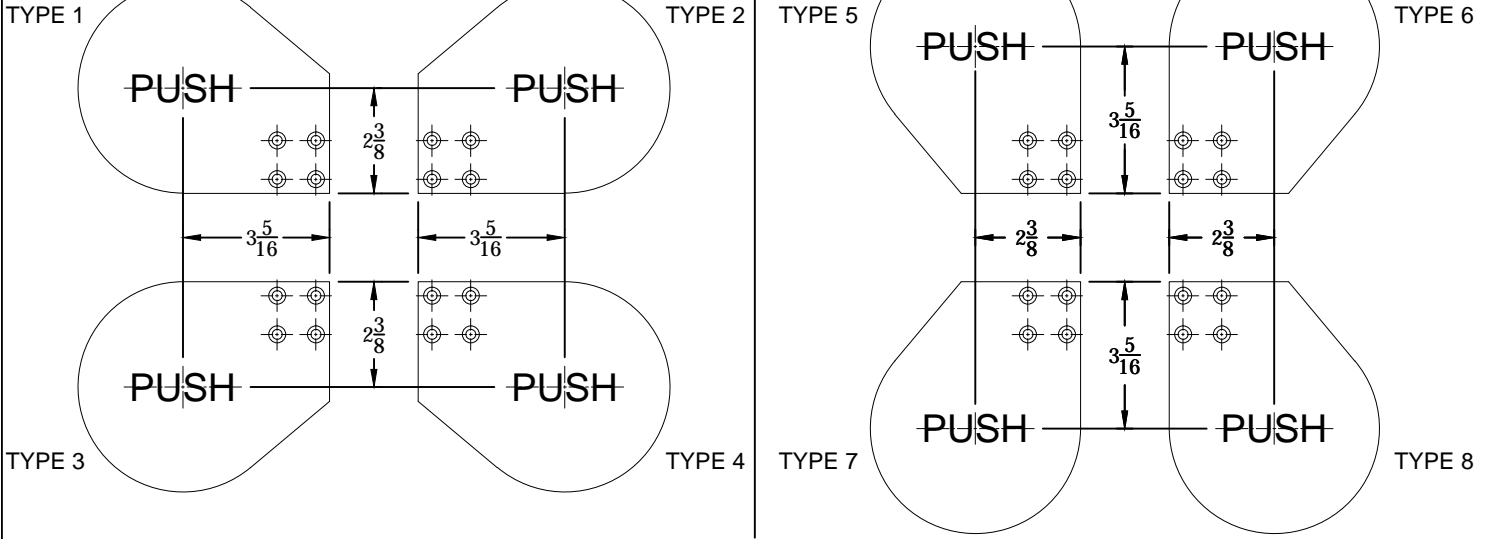


www.abhmfg.com
E-mail: abhinfo@abhmfg.com
Architectural Builders Hardware Mfg., Inc.
1222 Ardmore Ave., Itasca, IL 60143
630.875.9900; FAX 800.9FAXABH (932.9224)

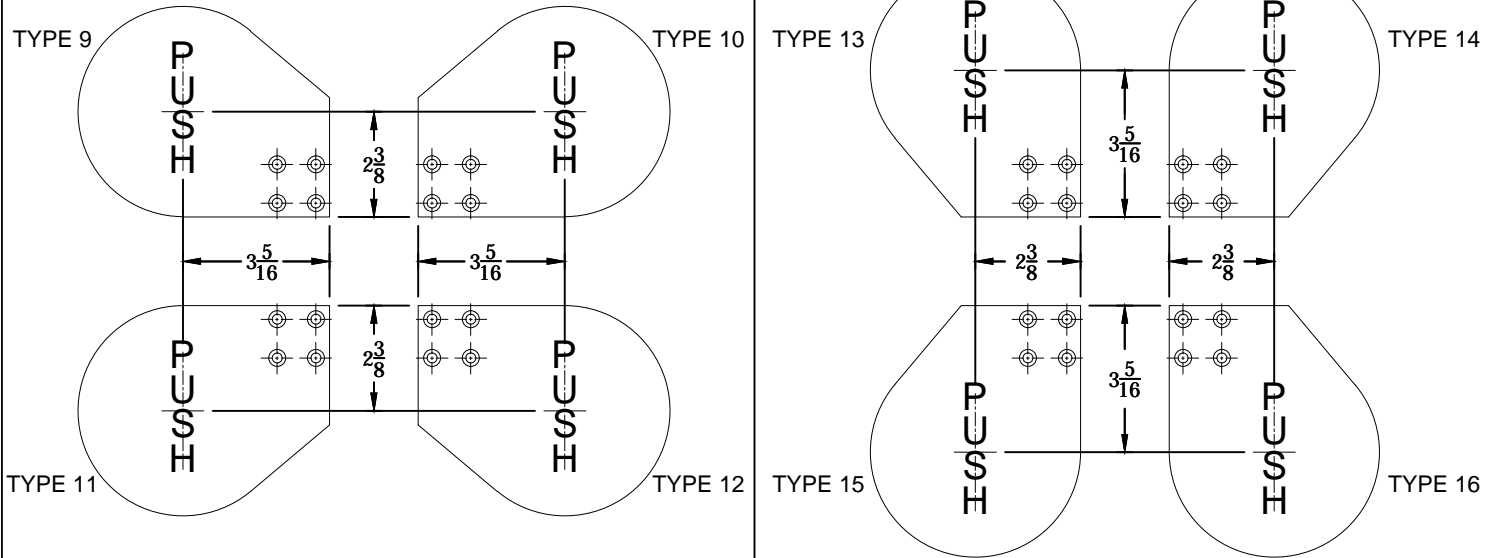
©2017 ABH Mfg., Inc.
printed in USA

ENGRAVING GUIDE
PUSH / PULL
PAGE 2 OF 3
ISSUED 11-09-17

ENGRAVING GUIDE FOR PUSH / PULL HANDLES



HIP PADDLE HORIZONTAL TEXT



HIP PADDLE VERTICAL TEXT



® www.abhmfg.com
 E-mail: abhinfo@abhmfg.com
 Architectural Builders Hardware Mfg., Inc.
 1222 Ardmore Ave., Itasca, IL 60143
 630.875.9900; FAX 800.9FAXABH (932.9224)

©2017 ABH Mfg., Inc.
 printed in USA

ENGRAVING GUIDE PUSH-PULL-3-02.DWG
ENGRAVING GUIDE
PUSH / PULL
 PAGE 3 OF 3
 ISSUED 11-09-17