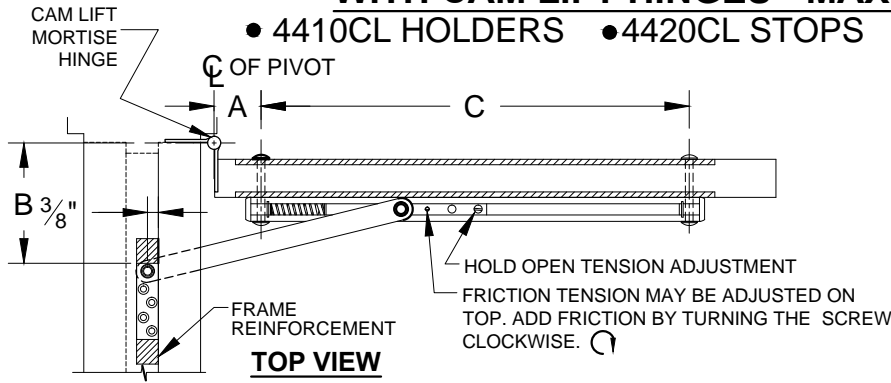
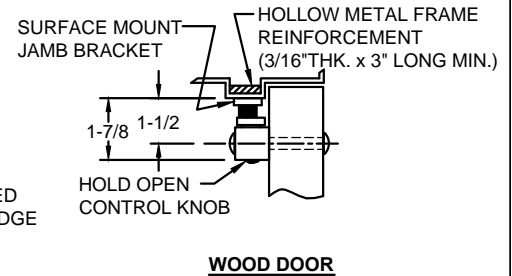
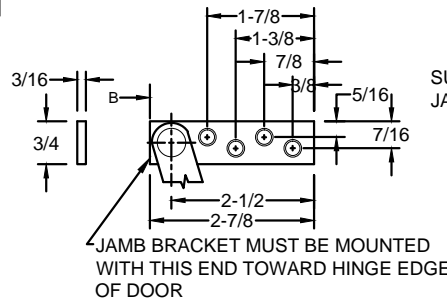
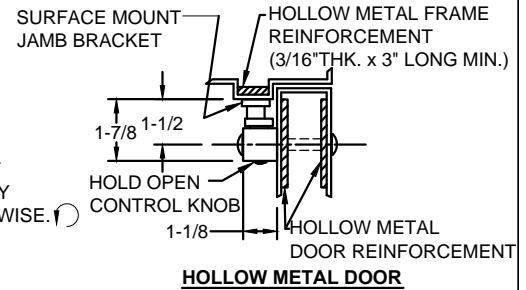
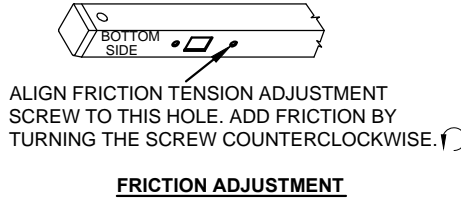
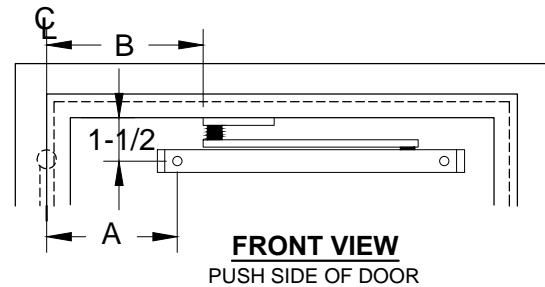


4400CL SERIES HOLDERS & STOPS, SURFACE MOUNT WITH CAM LIFT HINGES - MAX. 1/2" CAM LIFT

• 4410CL HOLDERS • 4420CL STOPS • 4430CL FRICTION



A = FROM ϵ OF PIVOT POINT TO ϵ OF FIRST SEX BOLT.
B = FROM ϵ OF PIVOT POINT TO START OF JAMB BRACKET
C = ϵ OF FIRST SEX BOLT TO ϵ OF SECOND SEX BOLT



NOTES:

1. REVERSIBLE/ NON - HANDED
2. FOR SINGLE ACTING DOORS ONLY
3. ALL DRILLING & TAPPING TO BE DONE IN FIELD.
4. ALWAYS REQUEST LATEST TEMPLATE/ DRAWING FOR NEW INSTALLATIONS.
5. ALL DIMENSIONS ARE IN INCHES.
6. DRAWING IS NOT TO SCALE.
7. DIMENSION B = HOLD-OPEN FOR HOLDERS, OPENING FOR STOPS.
8. IF USED ON ACOUSTICAL DOORS, CONTACT DOOR MANUFACTURER FOR INFORMATION TO AVOID COMPROMISING THE INTEGRITY OF THE DOOR.

* BUTT HINGES & OFFSET PIVOTS ONLY
 FOR DEAD STOP ADD 3/4" TO "A" DIMENSION

SCREW DETAIL			
	QTY	WOOD	METAL
JAMB	4	• #10 x 1-1/2" FLAT HEAD WOOD SCREW	• 10-32 x 1/2" FLAT HEAD MACHINE SCREW
DOOR	2	• 10-32 x 1-1/2" TRUSS HEAD MACHINE SCREW • 5/16" DIA. SEX BOLT	

DOOR THICKNESS	DEGREE	85° H.O.		90° H.O.		95° H.O.		100° H.O.		105° H.O.		110° H.O.		C	
	MODEL NO.	DOOR OPENING	A	B	A	B	A	B	A	B	A	B	A		B
1-3/4" TO 2-3/8"	•4411CL	18" TO	2-1/2*	5-1/8*	2-3/16*	4-13/16*	1-7/8*	4-1/2*	1-11/16*	4-5/16*	—	—	—	—	13-11/16
	•4421CL	23-15/16"													
	•4431CL														
CAM LIFT HINGES. 1/2" LIFT MAX.	•4412CL	24" TO	5	6-3/4	4-5/8	6-3/8	4-1/4	6	3-15/16	5-11/16	3-11/16	5-7/16	—	—	15-9/16
	•4422CL	29-15/16"													
	•4432CL														
CAM LIFT HINGES. 1/2" LIFT MAX.	•4413CL	30" TO	10	7-11/16	9-1/2	7-3/16	9-1/16	6-3/4	8-3/4	6-7/16	8-7/16	6-1/8	8-1/8	5-13/16	16-7/16
	•4423CL	35-15/16"													
	•4433CL														
CAM LIFT HINGES. 1/2" LIFT MAX.	•4414CL	36" TO	14-3/8	9-3/16	13-13/16	8-5/8	13-5/16	8-1/8	12-7/8	7-11/16	12-1/2	7-5/16	12-1/8	6-15/16	18-1/16
	•4424CL	48"													
	•4434CL														



www.abhmfg.com
 E-mail: abhinfo@abhmfg.com
 Architectural Builders Hardware Mfg., Inc.
 1222 Ardmore Ave., Itasca, IL 60143
 630.875.9900; FAX 800.9FAXABH (932.9224)

©2016 ABH Mfg., Inc.
 printed in USA

4400CL