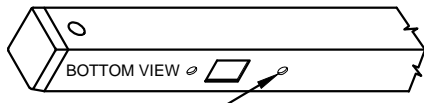
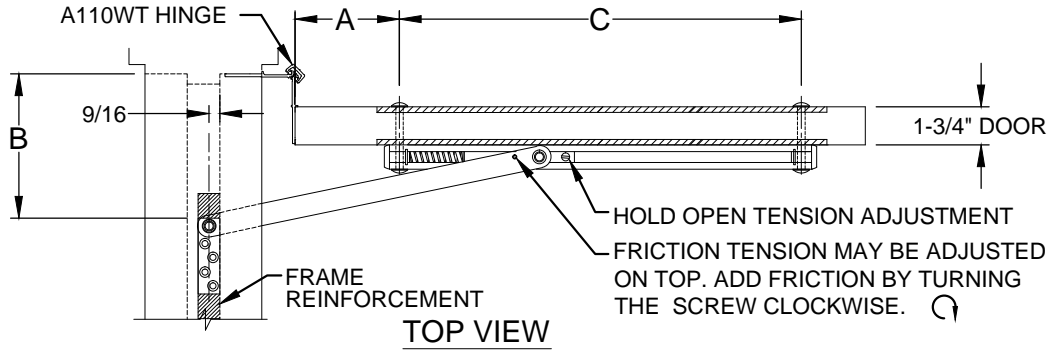


# 9000WT SERIES HOLDERS & STOPS

## 9000 SERIES SURFACE MOUNT WITH A110WT WIDE THROW

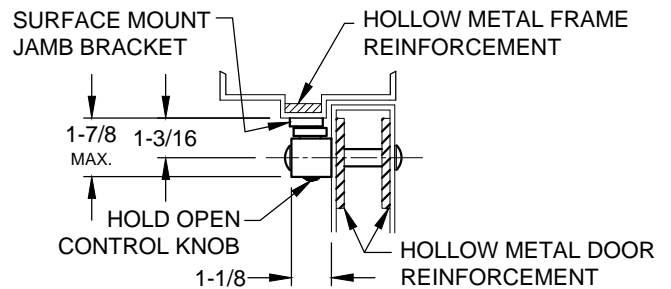
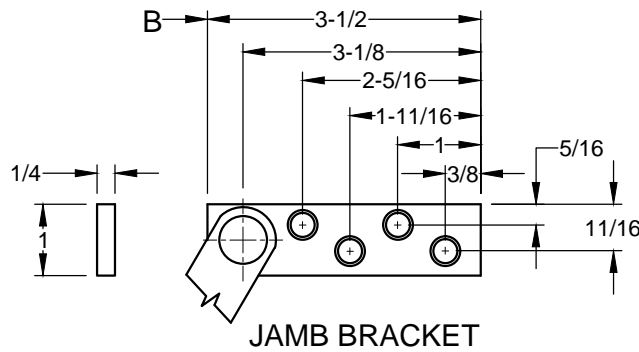
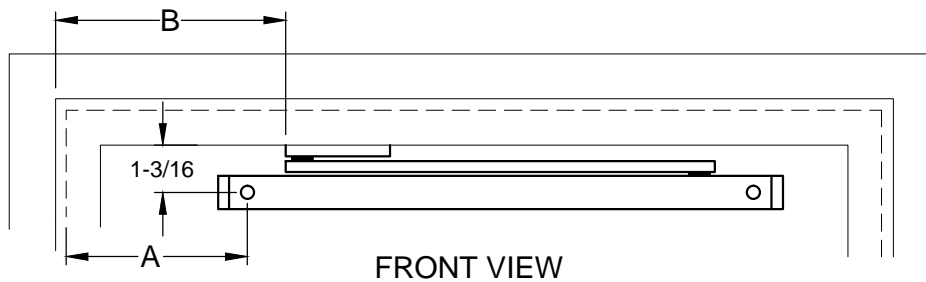
- 9010WT HOLDERS
- 9020WT STOP
- 9030WT FRICTION



ALIGN FRICTION TENSION ADJUSTMENT SCREW TO THIS HOLE. ADD FRICTION BY TURNING THE SCREW COUNTERCLOCKWISE. ↺

### FRICTION ADJUSTMENT

**A** = FROM HINGE EDGE OF DOOR TO  $\epsilon$  OF FIRST SEX BOLT.  
**B** = FROM HINGE SIDE OF FRAME TO START OF JAMB BRACKET  
**C** =  $\epsilon$  OF FIRST SEX BOLT TO  $\epsilon$  OF SECOND SEX BOLT



### NOTES:

1. REVERSIBLE/ NON - HANDED
2. FOR SINGLE ACTING DOORS ONLY
3. ALL DRILLING & TAPPING TO BE DONE IN FIELD.
4. ALWAYS REQUEST LATEST TEMPLATE/ DRAWING FOR NEW INSTALLATIONS.
5. ALL DIMENSIONS ARE IN INCHES.
6. DRAWING IS NOT TO SCALE.

SCREW DETAIL			
	QTY	WOOD	METAL
JAMB	4	● #14 x 1-1/2" FLAT HEAD WOOD SCREW	● 1/4" - 20 x 3/4" FLAT HEAD MACHINE SCREW
DOOR	2	● 5/16" - 18 x 2" TRUSS HEAD MACHINE SCREW ● 1/2" DIA. SEX BOLT	



www.abhmfg.com  
 E-mail: abhinfo@abhmfg.com  
 Architectural Builders Hardware Mfg., Inc.  
 1222 Ardmore Ave., Itasca, IL 60143  
 630.875.9900; FAX 800.9FAXABH (932.9224)

**W/ A110 WIDE THROW HINGE**

©2015 ABH Mfg., Inc.  
 printed in USA

**9000WT & 9000**

PAGE 1 OF 2  
 REVISED 08-27-15

9000WT-1-01.DWG

# 9000WT SERIES HOLDERS & STOPS

## 9000 SERIES SURFACE MOUNT WITH A110WT WIDE THROW

- 9010WT HOLDERS      • 9020WT STOP      • 9030WT FRICTION

1. FOR DEAD STOP ADD 5/8" TO "A" DIMENSION.  
 2. ALL DIMENSIONS ARE IN INCHES.

DEGREE			85° H.O.		90° H.O.		95° H.O.		100° H.O.		105° H.O.		110° H.O.		
	MODEL NO.	DOOR OPENING	A	B	A	B	A	B	A	B	A	B	A	B	C
DOOR THICKNESS  1-3/4" TO 2-1/4"	• 9018WT • 9028WT • 9038WT	24 TO 27-15/16	1-15/16	4-1/2	1-9/16	4-1/8	—	—	—	—	—	—	—	—	17-1/2
	• 9011WT • 9021WT • 9031WT	28 TO 29-15/16	2-15/16	4-3/4	2-9/16	4-5/8	2-3/4	4-1/2	—	—	—	—	—	—	20-1/2
	• 9012WT • 9022WT • 9032WT	30 TO 31-15/16	4-13/16	6-3/4	4-3/16	6-5/8	3-5/8	6-1/2	3-7/16	6-1/8	3-1/16	6	—	—	20-15/16
	• 9013WT • 9023WT • 9033WT	32 TO 35-15/16	5-5/8	7-3/4	5-3/16	7-1/2	4-13/16	6-3/8	4-3/8	6-1/4	3-15/16	6-1/8	3-5/8	6	21-5/8
	• 9014WT • 9024WT • 9034WT	36 TO 39-15/16	8-13/16	7	8-1/4	6-7/8	7-11/16	6-3/4	7-1/4	6-5/8	6-13/16	6-1/2	6-9/16	6-3/8	22-13/16
	• 9015WT • 9025WT • 9035WT	40 TO 41-15/16	11-13/16	7-3/4	11-3/16	7-5/8	10-9/16	7-1/2	10-1/16	7-3/8	9-5/8	7-1/4	9-3/16	7-1/8	24
	• 9016WT • 9026WT • 9036WT	42 TO 43-15/16	13-5/16	8	12-5/8	7-7/8	12-1/16	7-3/4	11-1/2	7-5/8	11	7-1/2	10-9/16	7-3/4	24-9/16
	• 9017WT • 9027WT • 9037WT	44 TO 56	14-3/4	8-7/8	14	8-5/8	13-3/8	8-1/2	12-13/16	8-3/8	12-1/4	8-1/4	11-3/4	8-1/8	25-1/8



www.abhmfg.com  
 E-mail: abhinfo@abhmfg.com  
 Architectural Builders Hardware Mfg., Inc.  
 1222 Ardmore Ave., Itasca, IL 60143  
 630.875.9900; FAX 800.9FAXABH (932.9224)

9000WT & 9000  
 W/ A110 WIDE THROW HINGE

©2015 ABH Mfg., Inc.  
 printed in USA

PAGE 2 OF 2  
 REVISED 08-27-15

9000WT-2-01.DWG