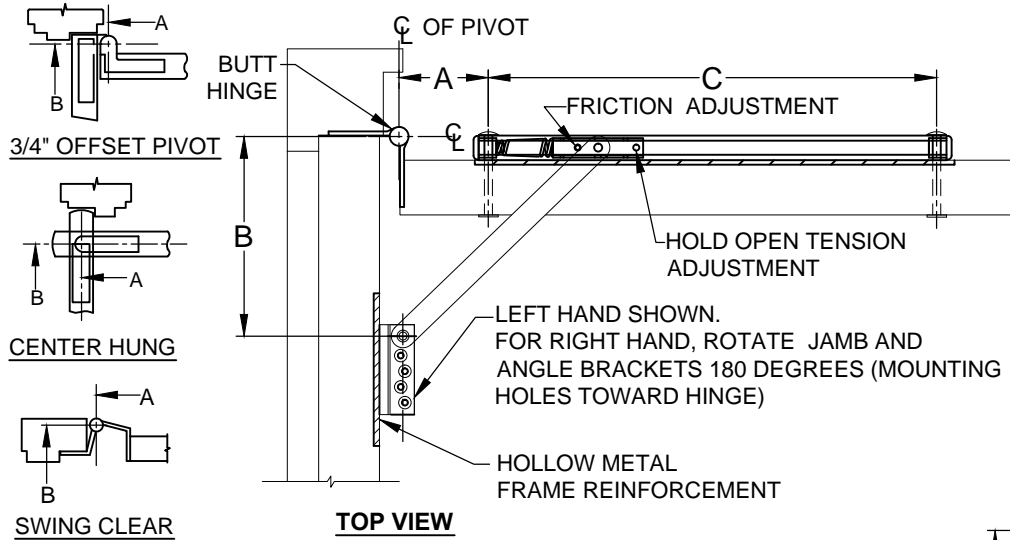
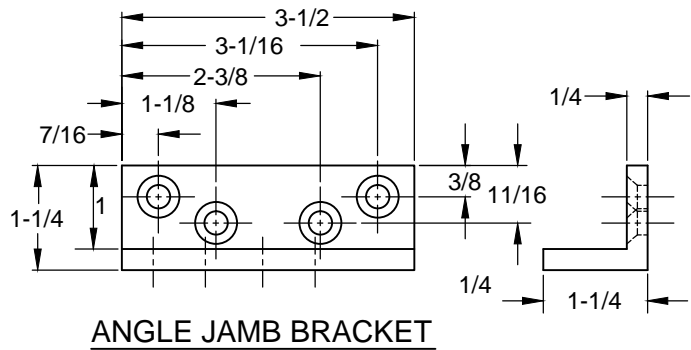
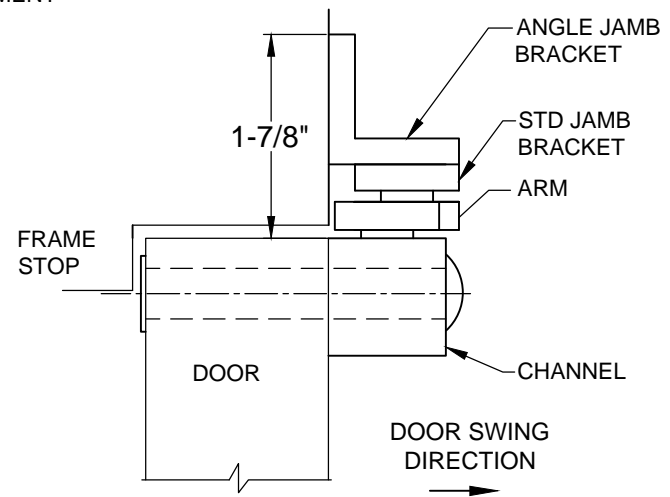
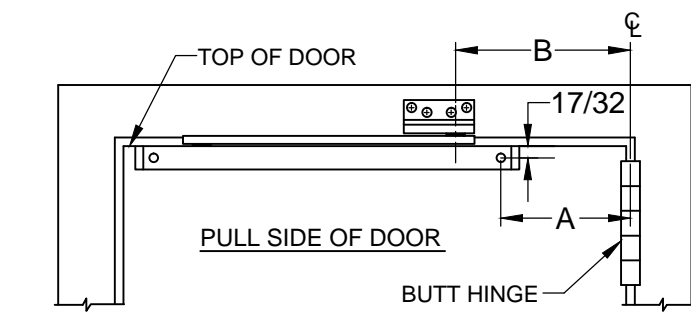


9000 SERIES HOLDERS & STOPS

SURFACE MOUNT PULL SIDE



A = FROM ϕ OF PIVOT POINT TO ϕ OF FIRST SEX BOLT.
B = FROM ϕ OF PIVOT POINT TO FIRST HOLE OF JAMB BRACKET
C = ϕ OF FIRST SEX BOLT TO ϕ OF SECOND SEX BOLT



THE ANGLE BRACKET IS SECURED TO THE HEADER WITH WOOD OR MACHINE SCREWS.
 THE JAMB BRACKET FASTENS TO THE ANGLE BRACKET WITH MACHINE SCREWS.
 THE CHANNEL MOUNTS ON THE DOOR WITH SEX BOLTS.
 REVERSE INSTALLATION METHOD IS NOT RECOMMENDED FOR EXTERIOR DOORS OPENING OUT.

SCREW DETAIL			
	QTY	WOOD	METAL
ANGLE JAMB BRACKET	4	• #14 x 1-1/2 FLAT HEAD WOOD SCREW	• 1/4-20 x 3/4 FLAT HEAD MACHINE SCREW
JAMB	4		• 1/4-20 x 1/2 FLAT HEAD MACHINE SCREW
DOOR	2	• 5/16-18 x 2 TRUSS HEAD MACHINE SCREW	
	2	• 1/2 DIA. SEX BOLT (SPECIAL 5/16-18x1-9/16" FLAT HEAD)	

- NOTES:**
1. REVERSIBLE/ NON - HANDED
 2. FOR SINGLE ACTING DOORS ONLY
 3. ALL DRILLING & TAPPING TO BE DONE IN FIELD.
 4. ALWAYS REQUEST LATEST TEMPLATE/ DRAWING FOR NEW INSTALLATIONS.
 5. ALL DIMENSIONS ARE IN INCHES.
 6. DRAWING IS NOT TO SCALE.
 7. DIMENSION B = HOLD-OPEN FOR HOLDERS, OPENING FOR STOPS



www.abhmfg.com
 E-mail: abhinfo@abhmfg.com
 Architectural Builders Hardware Mfg., Inc.
 1222 Ardmore Ave., Itasca, IL 60143
 630.875.9900; FAX 800.9FAXABH (932.9224)

9000 PULL SIDE
W/90541 ANGLE BRACKET

©2019 ABH Mfg., Inc.
 printed in USA

PAGE 1 OF 2
 REVISED 06-03-19

9000PULL-1-04.DWG

9000 SERIES HOLDERS & STOPS SURFACE MOUNT ON PULL SIDE OF DOOR

• 9010 HOLDERS • 9020 STOPS • 9030 FRICTION

1. FOR DEAD STOP ADD 3/4" TO "A" DIMENSION
2. ALL DIMENSIONS ARE IN INCHES.
3. ALL DRILLING AND TAPPING TO BE DONE IN FIELD.

* BUTT & OFFSET PIVOT ONLY

	DEGREE	85° H.O.		90° H.O.		95° H.O.		100° H.O.		105° H.O.		110° H.O.		C	
	MODEL NO.	DOOR OPENING	A	B	A	B	A	B	A	B	A	B	A		B
DOOR THICKNESS 1-3/4" TO 2-1/4"	• 9018 • 9028 • 9038	24 TO 27-15/16	4-5/16*	7-11/16*	4*	7-1/4*	3-7/8*	6-5/8*	3-3/4*	6-1/8*	3-5/8*	5-11/16*	3-1/2*	5-3/8*	17-1/2
	• 9011 • 9021 • 9031	28 TO 29-15/16	5	7-3/16	4-7/8	6-3/8	4-3/4	5-5/8	4-5/8	4-7/8	4-1/2	4-5/8	4-3/8	4-3/16	20-1/2
	• 9012 • 9022 • 9032	30 TO 31-15/16	6-5/8	8-5/8	6-1/2	7-5/8	6-3/8	6-3/4	6-1/4	6-1/16	6-1/8	5-9/16	6	5-3/16	20-15/16
BUTT HINGE, SWING CLEAR HINGE, 3/4" OFFSET PIVOT	• 9013 • 9023 • 9033	32 TO 35-15/16	7-1/2	9-1/16	7-3/8	7-15/16	7-1/4	7-1/16	7-1/8	6-3/8	7	5-3/4	6-7/8	5-3/8	21-5/8
	• 9014 • 9024 • 9034	36 TO 39-15/16	9-15/16	11	9-1/2	10-1/4	9-3/8	9-3/16	9-1/4	8-1/4	9-1/8	7-1/2	9	6-3/4	22-13/16
	• 9015 • 9025 • 9035	40 TO 41-15/16	13	12-3/8	12-1/8	11-3/4	12	10-7/16	11-7/8	9-3/8	11-3/4	8-7/16	11-5/8	7-3/4	24
	• 9016 • 9026 • 9036	42 TO 43-15/16	14-3/8	12-13/16	13-5/8	12-3/16	13-1/2	10-3/4	13-3/8	9-9/16	13-1/4	8-5/8	13-1/8	7-7/8	24-9/16
	• 9017 • 9027 • 9037	44 TO 56	15-3/4	13-1/2	15-1/8	12-5/8	14-3/4	11-7/16	14-5/8	10-1/4	14-1/2	9-3/16	14-3/8	8-3/8	25-1/8

	DEGREE	85° H.O.		90° H.O.		95° H.O.		100° H.O.		105° H.O.		110° H.O.		C	
	MODEL NO.	DOOR OPENING	A	B	A	B	A	B	A	B	A	B	A		B
CENTER HUNG	• 9018 • 9028 • 9038	26 TO 29-15/16	—	—	—	—	—	—	—	—	—	—	—	—	17-1/2
	• 9011 • 9021 • 9031	30 TO 33-15/16	6-1/2	5-13/16	6-7/16	4-15/16	6-3/8	4-1/4	6-5/16	3-9/16	6-1/4	3-3/16	6-1/8	2-7/8	20-1/2
	• 9012 • 9022 • 9032	34 TO 35-15/16	8	7-7/16	7-3/4	6-7/8	7-1/2	6-3/16	7-1/4	5-11/16	7	5-5/16	6-3/4	5	20-15/16
	• 9013 • 9023 • 9033	36 TO 38-15/16	9	7-3/4	8-3/4	6-15/16	8-1/2	6-5/16	8-1/4	5-13/16	8	5-7/16	7-3/4	5-1/16	21-5/8
	• 9014 • 9024 • 9034	39 TO 40-15/16	10-1/2	11-1/16	10-1/4	10	10	9-1/8	9-3/4	8-7/16	9-1/2	7-7/8	9-1/4	7-1/16	22-13/16
	• 9015 • 9025 • 9035	41 TO 44-15/16	13-3/8	12-7/16	12-7/8	11-1/2	12-5/8	10-7/16	12-3/8	9-9/16	12-1/8	8-7/8	11-7/8	8-5/16	24
	• 9016 • 9026 • 9036	45 TO 46-15/16	15	12-7/8	14-3/4	11-7/16	14-1/2	10-5/16	14-1/4	9-3/8	14	8-5/8	13-3/4	7-15/16	24-9/16
	• 9017 • 9027 • 9037	47 TO 56	16-1/2	13-7/16	16-1/4	11-15/16	16	10-11/16	15-3/4	9-5/8	15-1/2	8-13/16	15-1/4	8-3/16	25-1/8



www.abhmfg.com
 E-mail: abhinfo@abhmfg.com
 Architectural Builders Hardware Mfg., Inc.
 1222 Ardmore Ave., Itasca, IL 60143
 630.875.9900; FAX 800.9FAXABH (932.9224)

©2019 ABH Mfg., Inc.
printed in USA

9000PULL-2-04.DWG

**9000 WITH
W/ 90541 ANGLE BRACKET**

PAGE 2 OF 2
REVISED 06-03-19