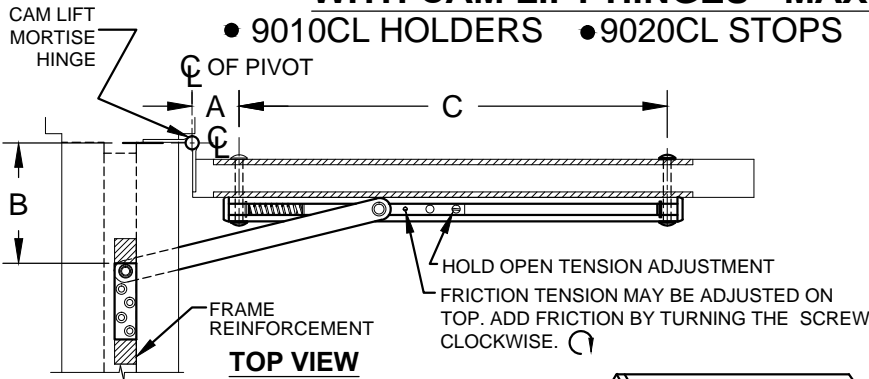
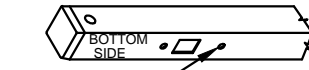
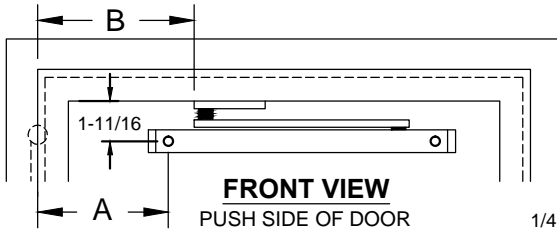


9000CL SERIES HOLDERS & STOPS, SURFACE MOUNT WITH CAM LIFT HINGES - MAX. 1/2" CAM LIFT

• 9010CL HOLDERS • 9020CL STOPS • 9030CL FRICTION

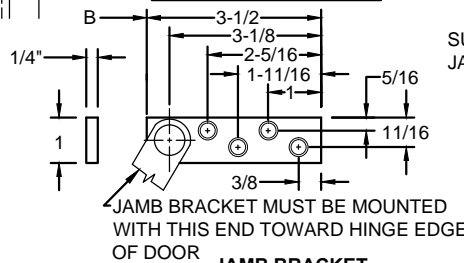


A = FROM ϕ OF PIVOT POINT TO ϕ OF FIRST SEX BOLT.
B = FROM ϕ OF PIVOT POINT TO START OF JAMB BRACKET
C = ϕ OF FIRST SEX BOLT TO ϕ OF SECOND SEX BOLT

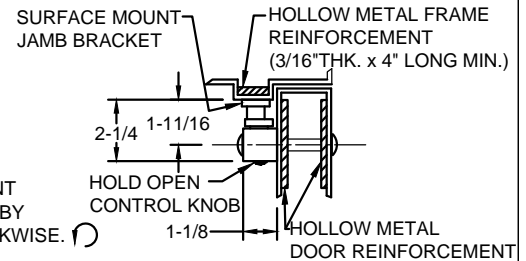


ALIGN FRICTION TENSION ADJUSTMENT SCREW TO THIS HOLE. ADD FRICTION BY TURNING THE SCREW COUNTERCLOCKWISE.

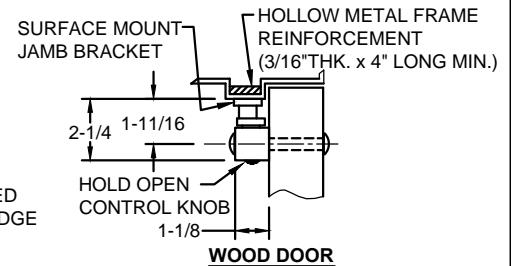
FRICITION ADJUSTMENT



JAMB BRACKET



HOLLOW METAL DOOR



NOTES:

1. REVERSIBLE/ NON - HANDED
 2. FOR SINGLE ACTING DOORS ONLY
 3. ALL DRILLING & TAPPING TO BE DONE IN FIELD.
 4. ALWAYS REQUEST LATEST TEMPLATE/ DRAWING FOR NEW INSTALLATIONS.
 5. ALL DIMENSIONS ARE IN INCHES.
 6. DRAWING IS NOT TO SCALE.
 7. DIMENSION B = HOLD-OPEN FOR HOLDERS, OPENING FOR STOPS.
 8. IF USED ON ACOUSTICAL DOORS, CONTACT DOOR MANUFACTURER FOR INFORMATION TO AVOID COMPROMISING THE INTEGRITY OF THE DOOR.
- * BUTT HINGES ONLY
 ** BUTT HINGES & OFFSET PIVOTS ONLY
 FOR DEAD STOP ADD 5/8" TO "A" DIMENSION

		SCREW DETAIL	
		WOOD	METAL
JAMB	4	• #14 x 1-1/2" FLAT HEAD WOOD SCREW	• 1/4-20 x 3/4" FLAT HEAD MACHINE SCREW
DOOR	2	• 5/16-18 x 2" TRUSS HEAD MACHINE SCREW • 1/2" DIA. SEX BOLT	

	DEGREE		85° H.O.		90° H.O.		95° H.O.		100° H.O.		105° H.O.		110° H.O.		C
	MODEL NO.	DOOR OPENING	A	B	A	B	A	B	A	B	A	B	A	B	
DOOR THICKNESS	• 9018 CL	24 TO	**	**	**	**	**	**	**	**	*	*	—	—	17-1/2
	• 9028 CL	27-15/16	3-3/8	5-1/2	3	5-7/16	2-3/4	4-13/16	2-1/2	4-5/16	2-1/4	4-5/16			
	• 9038 CL														
1-3/4" TO 2-1/4"	• 9011 CL	28 TO	**	**	**	**	**	**	**	**	**	**	**	**	20-1/2
	• 9021 CL	29-15/16	3-1/16	7-9/16	2-9/16	7-1/16	2-1/4	6-3/4	1-15/16	6-7/16	1-5/8	6-1/8	1-3/8	5-7/8	
	• 9031 CL														
CAM LIFT HINGES 1/2" LIFT MAX	• 9012 CL	30 TO													
	• 9022 CL	31-15/16	5-3/16	8	4-11/16	7-1/2	4-5/16	7-1/8	4	6-13/16	3-11/16	6-1/2	3-7/16	6-1/4	20-15/16
	• 9032 CL														
	• 9013 CL	32 TO													
	• 9023 CL	35-15/16	5-15/16	8-5/8	5-3/8	8-1/16	5	7-11/16	4-5/8	7-5/16	4-5/16	7	4	6-11/16	21-5/8
	• 9033 CL														
	• 9014 CL	36 TO													
	• 9024 CL	39-15/16	8-7/8	9-11/16	8-1/4	9-1/16	7-13/16	8-5/8	7-3/8	8-3/16	7-1/16	7-7/8	6-11/16	7-1/2	22-13/16
	• 9034 CL														
	• 9015 CL	40 TO													
	• 9025 CL	41-15/16	11-3/4	10-3/4	11-1/16	10-1/16	10-5/8	10-5/8	10-1/16	9-1/16	9-11/16	8-11/16	9-5/16	8-5/16	24
	• 9035 CL														
	• 9016 CL	42 TO													
	• 9026 CL	43-15/16	13-3/16	11-1/4	12-1/2	10-9/16	12	10-1/16	11-1/2	9-9/16	11-1/16	9-1/8	10-5/8	8-11/16	24-9/16
	• 9036 CL														
	• 9017 CL	44 TO													
	• 9027 CL	56	14-11/16	11-13/16	13-15/16	11-1/16	13-3/8	10-1/2	12-7/8	10	12-3/8	9-1/2	11-15/16	9-1/16	25-1/8
	• 9037 CL														



www.abhmfg.com
 E-mail: abhinfo@abhmfg.com
 Architectural Builders Hardware Mfg., Inc.
 1222 Ardmore Ave., Itasca, IL 60143
 630.875.9900; FAX 800.9FAXABH (932.9224)

9000CL-00.DWG

9000CL

©2016 ABH Mfg., Inc.
 printed in USA

PAGE 1 OF 1
 REVISED 05-11-16