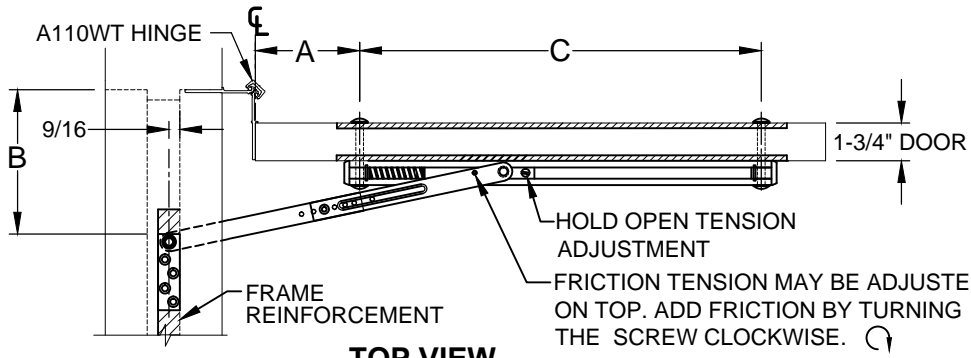
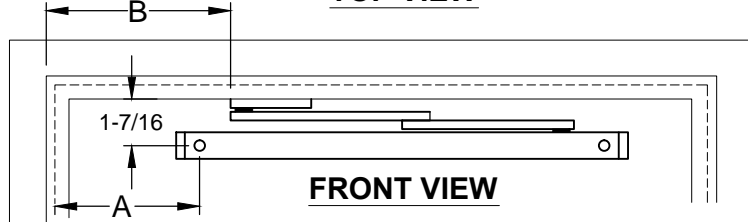


9000A SERIES HOLDERS & STOPS SURFACE MOUNT WITH A110WT WIDE THROW

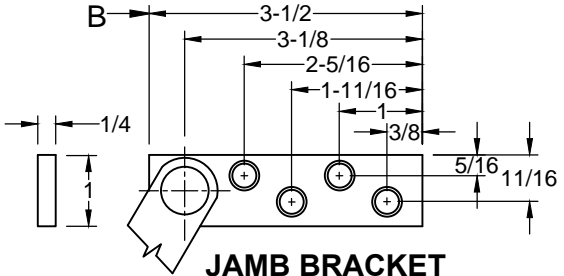


A = FROM HINGE EDGE OF DOOR TO ϵ OF FIRST SEX BOLT.
B = FROM HINGE SIDE OF FRAME TO START OF JAMB BRACKET
C = ϵ OF FIRST SEX BOLT TO ϵ OF SECOND SEX BOLT

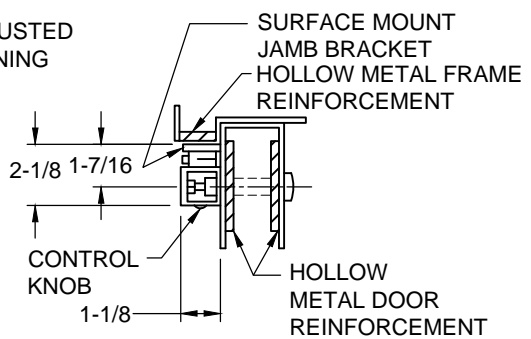
TOP VIEW



FRONT VIEW



JAMB BRACKET



SINGLE ACTING DOOR

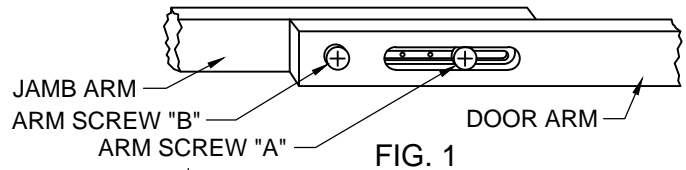


FIG. 1

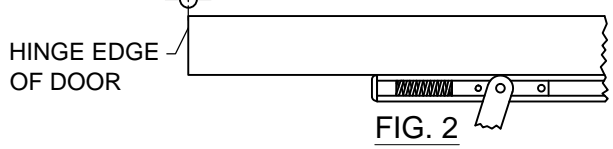


FIG. 2

DOOR THICKNESS = 1-3/4"				
MODEL NO.	DOOR OPENING	OPEN BETWEEN 80° TO 110°		
		SET FOR 95° H.O.		
		A	B	C
• 9011A • 9021A • 9031A	28 TO 31-15/16	1-15/16	6	20-15/16
• 9012A • 9022A • 9032A	32 TO 39-15/16	4-1/2	7-1/4	22-13/16
• 9013A • 9023A • 9033A	40 TO 43-15/16	10-3/16	9-1/8	25-5/8
• 9014A • 9024A • 9034A	44 TO 54	12-7/8	10	26-7/8

SCREW DETAIL			
	QTY	WOOD	METAL
JAMB	4	• #14 x 1-1/2" FLAT HEAD WOOD SCREW	• 1/4-20 x 3/4" FLAT HEAD MACHINE SCREW
DOOR	2	• 5/16-18 x 2" TRUSS HEAD MACHINE • 1/2" DIA. SEX BOLT	

- TO CHANGE H.O. OR STOP DEGREE**
1. LOOSEN "ARM SCREW A" IN SLOTTED SECTION. SEE FIG. 1. **DO NOT REMOVE.**
 2. REMOVE "ARM SCREW B" ONLY. SEE FIG. 1.
 3. OPEN DOOR TO DESIRED DEGREE.
 4. POSITION "SLIDE BLOCK (CAM)" AGAINST END OF RAIL CLOSEST TO HINGE EDGE OF DOOR. SEE FIG. 2.
 5. INSTALL "ARM SCREW B" IN ARM AND SECURE.
 6. TIGHTEN "ARM SCREW A" SECURELY.

CAUTION:
 ARM SCREW "B" MUST BE INSTALLED AND BOTH SCREWS "A" AND "B" SECURED OR UNIT WILL FAIL TO HOLD POSITION

- NOTES:**
1. REVERSIBLE/ NON - HANDED
 2. FOR SINGLE ACTING DOORS ONLY
 3. ALL DRILLING & TAPPING TO BE DONE IN FIELD.
 4. ALWAYS REQUEST LATEST TEMPLATE/ DRAWING FOR NEW INSTALLATIONS.
 5. ALL DIMENSIONS ARE IN INCHES.
 6. DRAWING IS NOT TO SCALE.



www.abhmf.com
 E-mail: abhinfo@abhmf.com
 Architectural Builders Hardware Mfg., Inc.
 1222 Ardmore Ave., Itasca, IL 60143
 630.875.9900; FAX 800.9FAXABH (932.9224)

©2016 ABH Mfg., Inc.
 printed in USA

9000A WITH
 A110 WIDE THROW HINGE

PAGE 1 OF 1
 REVISED 05-13-16

9000AWT-01.DWG