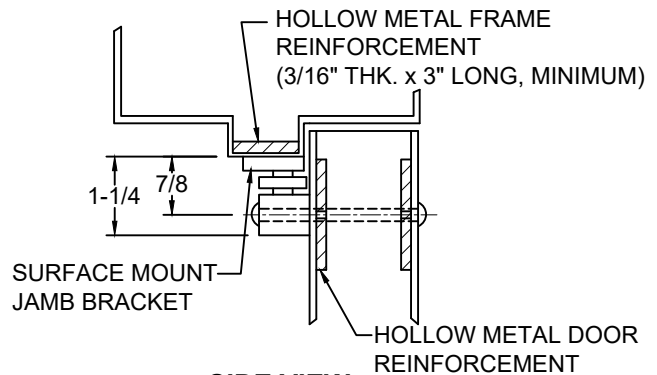
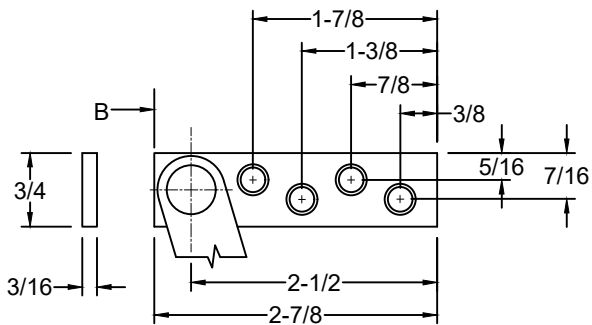
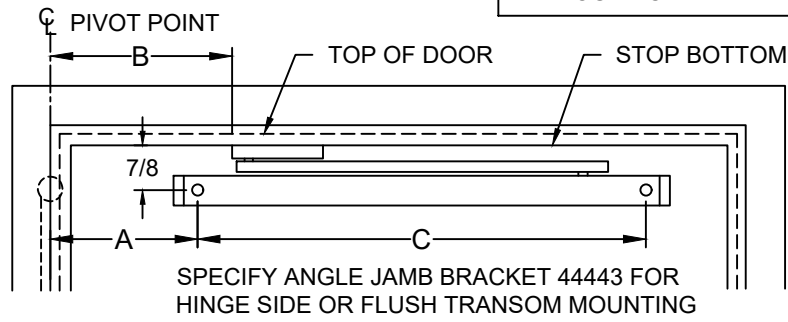
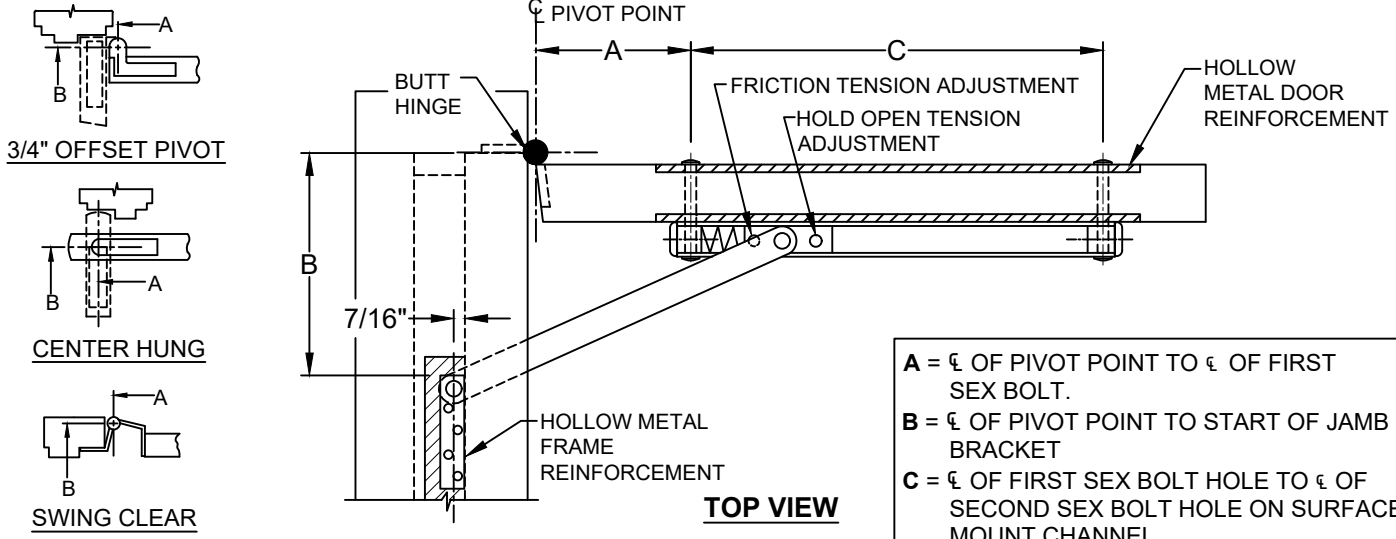


4400 SERIES SURFACE HOLDERS & STOPS



NOTES:

1. REVERSIBLE/ NON - HANDED
2. FOR SINGLE ACTING DOORS ONLY
3. ALL DRILLING & TAPPING TO BE DONE IN FIELD.
4. ALWAYS REQUEST LATEST TEMPLATE/ DRAWING FOR NEW INSTALLATIONS.
5. ALL DIMENSIONS ARE IN INCHES.
6. DRAWING IS NOT TO SCALE

SCREW DETAIL			
	QTY	WOOD	METAL
JAMB	4	• #10 x 1-1/2" FLAT HEAD WOOD SCREW	• 10-32 x 1/2" FLAT HEAD MACHINE SCREW
DOOR	2	• 10-32 x 1-1/2" TRUSS HEAD MACHINE SCREW	
	2	• 5/16" DIA. SEX BOLT	

4400-1-09.DWG



www.abhmfg.com
 E-mail: abhinfo@abhmfg.com
 Architectural Builders Hardware Mfg., Inc.
 1222 Ardmore Ave., Itasca, IL 60143
 630.875.9900; FAX 800.9FAXABH (932.9224)

© 2021 ABH Mfg., Inc.
 printed in USA

4400

PAGE 1 OF 4
 REVISED 10-12-21

4400 SERIES SURFACE HOLDERS & STOPS

SURFACE MOUNT

- 4410 HOLD-OPEN ● 4420 STOP ● 4430 FRICTION

1. FOR DEAD STOP ADD 3/4" TO "A" DIMENSION
 2. ALL DIMENSIONS ARE IN INCHES.

* BUTT & 3/4" OFFSET PIVOT ONLY

DOOR THICK-NESS	DEGREE		85° H.O.		90° H.O.		95° H.O.		100° H.O.		105° H.O.		110° H.O.		C
	MODEL NO.	DOOR OPENING	A	B	A	B	A	B	A	B	A	B	A	B	
1-3/4" TO 2-3/8"	● 4411 ● 4421 ● 4431	18" TO 23-15/16"	2-1/2*	5-1/8*	2*	4-7/16*	1-7/8*	4-1/2*	1-11/16*	4-5/16*	—	—	—	—	13-11/16
BUTT HINGE, SWING CLEAR HINGE, 3/4"	● 4412 ● 4422 ● 4432	24" TO 29-15/16"	5	6-3/4	4-5/8	6-3/8	4-1/4	6	3-15/16	5-11/16	3-11/16	5-7/16	—	—	15-9/16
	● 4413 ● 4423 ● 4433	30" TO 35-15/16"	10	7-11/16	9-1/2	7-3/16	9-1/16	6-3/4	8-3/4	6-7/16	8-7/16	6-1/8	8-1/8	5-13/16	16-7/16
OFFSET PIVOT	● 4414 ● 4424 ● 4434	36" TO 48"	14-3/8	9-3/16	13-13/16	8-5/8	13-5/16	8-1/8	12-7/8	7-11/16	12-1/2	7-5/16	12-1/8	6-15/16	18-1/16

DOOR THICK-NESS	DEGREE		85° H.O.		90° H.O.		95° H.O.		100° H.O.		105° H.O.		110° H.O.		C
	MODEL NO.	DOOR OPENING	A	B	A	B	A	B	A	B	A	B	A	B	
1-3/8" TO 1-5/8"	● 4411 ● 4421 ● 4431	18" TO 23-15/16"	2-3/4*	5-3/8*	2-7/16*	5-1/16*	2-1/8*	4-3/4*	1-15/16*	4-9/16*	—	—	—	—	13-11/16
BUTT HINGE, SWING CLEAR HINGE, 3/4"	● 4412 ● 4422 ● 4432	24" TO 29-15/16"	5-1/4	7	4-7/8	6-5/8	4-1/2	6-1/4	4-3/16	5-15/16	3-15/16	5-11/16	—	—	15-9/16
	● 4413 ● 4423 ● 4433	30" TO 35-15/16"	10-1/4	7-15/16	9-3/4	7-7/16	9-5/16	7	9	6-11/16	8-11/16	6-3/8	8-3/8	6-1/16	16-7/16
OFFSET PIVOT	● 4414 ● 4424 ● 4434	36" TO 48"	14-5/8	9-7/16	14-1/16	8-3/4	13-9/16	8-3/8	13-1/8	7-15/16	12-3/4	7-9/16	12-3/8	7-3/16	18-1/16

DOOR THICK-NESS	DEGREE		85° H.O.		90° H.O.		95° H.O.		100° H.O.		105° H.O.		110° H.O.		C
	MODEL NO.	DOOR OPENING	A	B	A	B	A	B	A	B	A	B	A	B	
1-3/8" TO 2-3/8"	● 4411 ● 4421 ● 4431	22" TO 27-7/16"	3-1/8	5-3/4	2-13/16	5-7/16	2-1/2	5-1/8	2-5/16	4-15/16	2-3/16	4-13/16	2	4-5/8	13-11/16
	● 4412 ● 4422 ● 4432	27-1/2" TO 33-7/16"	5-5/8	7-3/8	5-1/4	7	4-7/8	6-5/8	4-9/16	6-5/16	4-5/16	6-1/16	4-1/16	5-13/16	15-9/16
CENTER HUNG	● 4413 ● 4423 ● 4433	33-1/2" TO 38-15/16"	10-5/8	8-5/16	10-1/8	7-13/16	9-11/16	7-3/8	9-3/8	7-1/16	9-1/16	6-3/4	8-3/4	6-7/16	16-7/16
	● 4414 ● 4424 ● 4434	39" TO 48"	15	9-13/16	14-7/16	9-1/4	13-15/16	8-3/4	13-1/2	8-5/16	13-1/8	7-15/16	12-3/4	7-9/16	18-1/16



www.abhmfg.com
 E-mail: abhinfo@abhmfg.com
 Architectural Builders Hardware Mfg., Inc.
 1222 Ardmore Ave., Itasca, IL 60143
 630.875.9900; FAX 800.9FAXABH (932.9224)

© 2021 ABH Mfg., Inc.
 printed in USA

4400-2-10.DWG

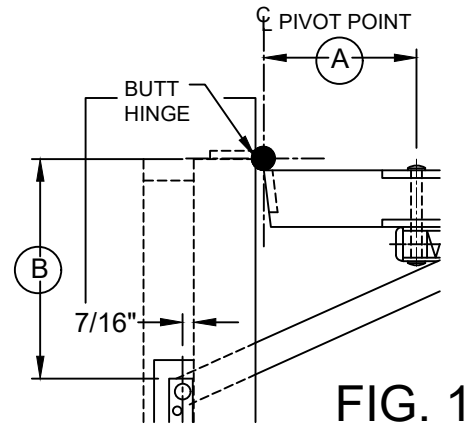
4400

PAGE 2 OF 4
 REVISED 10-12-21

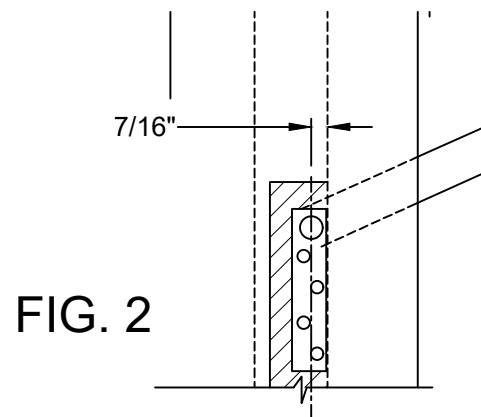
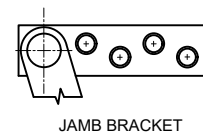
4400 SERIES SURFACE HOLDERS & STOPS
SURFACE MOUNT

1. Select and determine degree of opening from chart on page 2.

2. Locate "A" and "B" dimensions, from page 2, on door and frame- Dimensions are from the centerline of the pivot point of the hinge being used. FIG. 1



3. Install Jamb bracket on stop with holes away from hinge edge. FIG. 2



4400 SERIES SURFACE HOLDERS & STOPS

SURFACE MOUNT

4. Position channel on door with spring end located towards the hinge side. Drill $5/16$ " diameter hole, "A" dimension, $7/8$ " down from stop.

5. Install channel on door with "A" dimension sex bolt. Locate "C" dimension sex bolt hole making sure the channel is level and parallel with the stop. Drill $5/16$ " diameter sex bolt hole and finish installing holder.

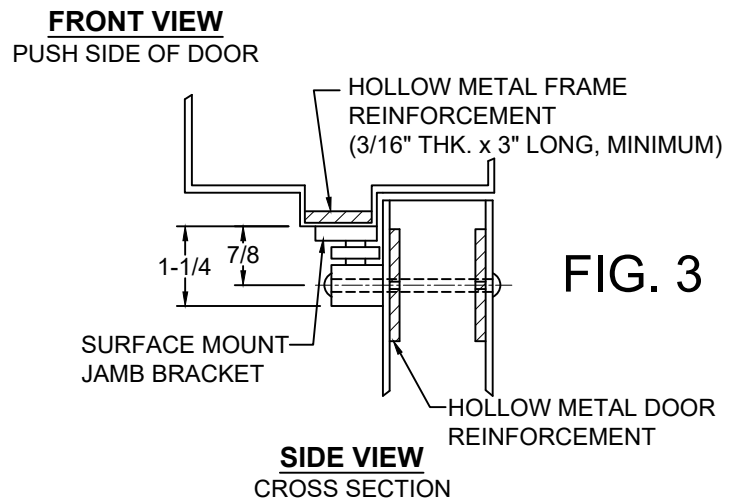


FIG. 3

NOTE:

- Location of swing clear hinge centerline to determine "A" and "B" dimensions. FIG. 4
- All hollow metal frames should be properly reinforced with $3/16$ " minimum thickness x 3" minimum length reinforcement plates.
- Suggest mounting door stop or holder first and then other hardware to clear. Contact factory if interference results with other hardware.
- Jamb Bracket to be on same centerline as channel.

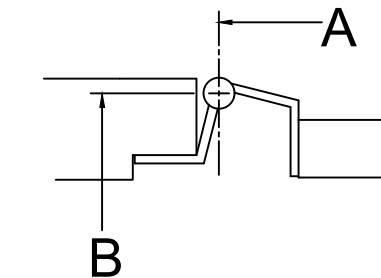


FIG. 4

SWING CLEAR