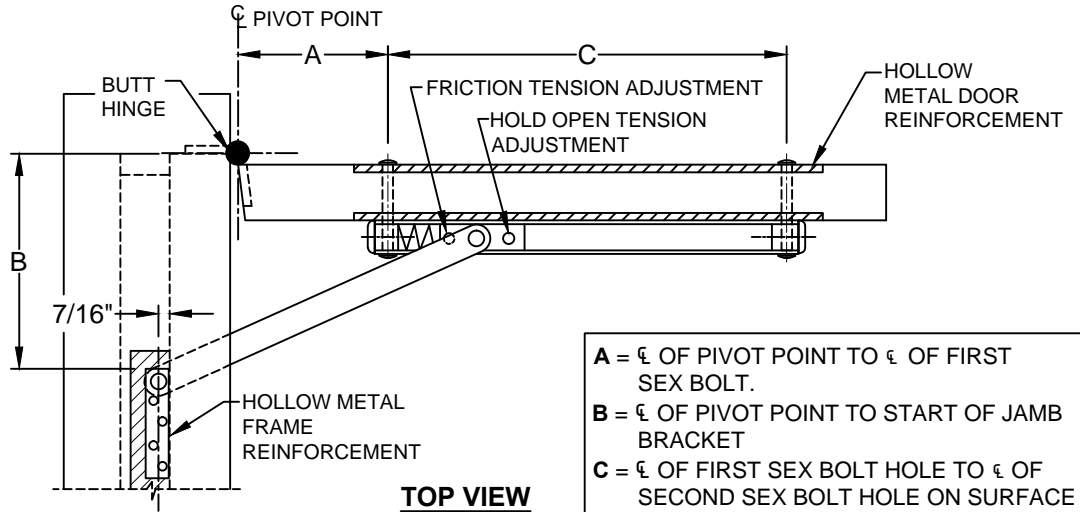
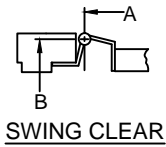
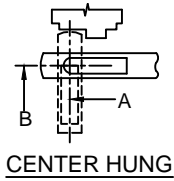
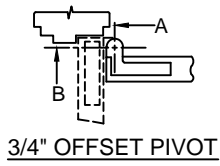
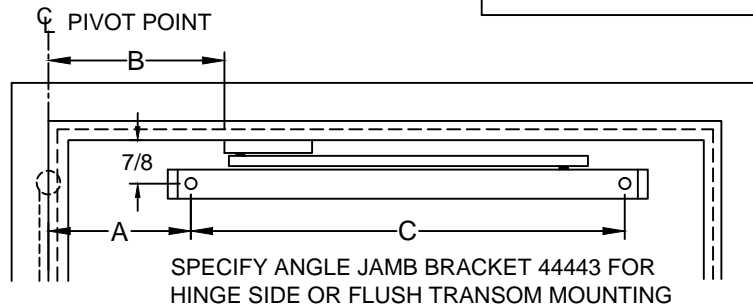


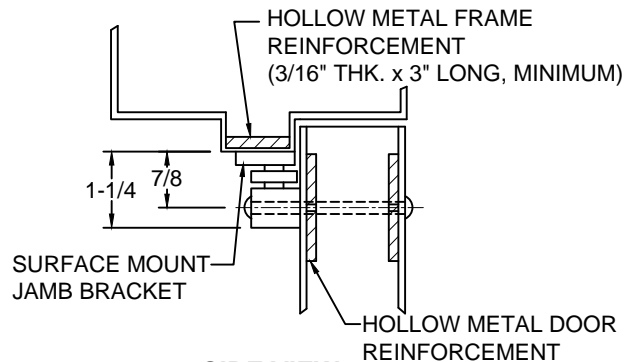
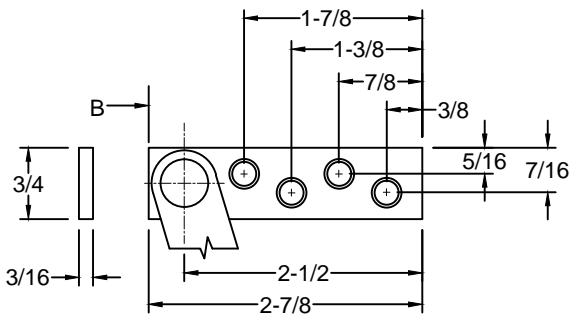
4400 SERIES SURFACE HOLDERS & STOPS



A = ϵ OF PIVOT POINT TO ϵ OF FIRST SEX BOLT.
B = ϵ OF PIVOT POINT TO START OF JAMB BRACKET
C = ϵ OF FIRST SEX BOLT HOLE TO ϵ OF SECOND SEX BOLT HOLE ON SURFACE MOUNT CHANNEL



SPECIFY ANGLE JAMB BRACKET 44443 FOR HINGE SIDE OR FLUSH TRANSOM MOUNTING



SCREW DETAIL

		WOOD	METAL
JAMB	4	● #10 x 1-1/2" FLAT HEAD WOOD SCREW	● 10-32 x 1/2" FLAT HEAD MACHINE SCREW
DOOR	2	● 10-32 x 1-1/2" TRUSS HEAD MACHINE SCREW	
	2	● 5/16" DIA. SEX BOLT	

NOTES:

1. REVERSIBLE/ NON - HANDED
2. FOR SINGLE ACTING DOORS ONLY
3. ALL DRILLING & TAPPING TO BE DONE IN FIELD.
4. ALWAYS REQUEST LATEST TEMPLATE/ DRAWING FOR NEW INSTALLATIONS.
5. ALL DIMENSIONS ARE IN INCHES.
6. DRAWING IS NOT TO SCALE



www.abhmfg.com
 E-mail: abhinfo@abhmfg.com
 Architectural Builders Hardware Mfg., Inc.
 1222 Ardmore Ave., Itasca, IL 60143
 630.875.9900; FAX 800.9FAXABH (932.9224)

©2017 ABH Mfg., Inc.
 printed in USA

4400

PAGE 1 OF 2
 REVISED 08-02-19

4400 SERIES SURFACE HOLDERS & STOPS

SURFACE MOUNT

●4410 HOLD-OPEN ●4420 STOP ●4430 FRICTION

1. FOR DEAD STOP ADD 3/4" TO "A" DIMENSION
 2. ALL DIMENSIONS ARE IN INCHES.

* BUTT & 3/4" OFFSET PIVOT ONLY

DOOR THICKNESS	DEGREE		85° H.O.		90° H.O.		95° H.O.		100° H.O.		105° H.O.		110° H.O.		C
	MODEL NO.	DOOR OPENING	A	B	A	B	A	B	A	B	A	B	A	B	
1-3/4" TO 2-3/8"	● 4411 ● 4421 ● 4431	18" TO 23-15/16"	2-1/2*	5-1/8*	2*	4-7/16*	1-7/8*	4-1/2*	1-11/16*	4-5/16*	—	—	—	—	13-11/16
	● 4412 ● 4422 ● 4432	24" TO 29-15/16"	5	6-3/4	4-5/8	6-3/8	4-1/4	6	3-15/16	5-11/16	3-11/16	5-7/16	—	—	15-9/16
	● 4413 ● 4423 ● 4433	30" TO 35-15/16"	10	7-11/16	9-1/2	7-3/16	9-1/16	6-3/4	8-3/4	6-7/16	8-7/16	6-1/8	8-1/8	5-13/16	16-7/16
OFFSET PIVOT	● 4414 ● 4424 ● 4434	36" TO 48"	14-3/8	9-3/16	13-13/16	8-5/8	13-5/16	8-1/8	12-7/8	7-11/16	12-1/2	7-5/16	12-1/8	6-15/16	18-1/16

DOOR THICKNESS	DEGREE		85° H.O.		90° H.O.		95° H.O.		100° H.O.		105° H.O.		110° H.O.		C
	MODEL NO.	DOOR OPENING	A	B	A	B	A	B	A	B	A	B	A	B	
1-3/8" TO 1-5/8"	● 4411 ● 4421 ● 4431	18" TO 23-15/16"	2-3/4*	5-3/8*	2-7/16*	5-1/16*	2-1/8*	4-3/4*	1-15/16*	4-9/16*	—	—	—	—	13-11/16
	● 4412 ● 4422 ● 4432	24" TO 29-15/16"	5-1/4	7	4-7/8	6-5/8	4-1/2	6-1/4	4-3/16	5-15/16	3-15/16	5-11/16	—	—	15-9/16
	● 4413 ● 4423 ● 4433	30" TO 35-15/16"	10-1/4	7-15/16	9-3/4	7-7/16	9-5/16	7	9	6-11/16	8-11/16	6-3/8	8-3/8	6-1/16	16-7/16
OFFSET PIVOT	● 4414 ● 4424 ● 4434	36" TO 48"	14-5/8	9-7/16	14-1/16	8-3/4	13-9/16	8-3/8	13-1/8	7-15/16	12-3/4	7-9/16	12-3/8	7-3/16	18-1/16

DOOR THICKNESS	DEGREE		85° H.O.		90° H.O.		95° H.O.		100° H.O.		105° H.O.		110° H.O.		C
	MODEL NO.	DOOR OPENING	A	B	A	B	A	B	A	B	A	B	A	B	
1-3/8" TO 2-3/8"	● 4411 ● 4421 ● 4431	22" TO 27-7/16"	3-1/8	5-3/4	2-13/16	5-7/16	2-1/2	5-1/8	2-5/16	4-15/16	2-3/16	4-13/16	2	4-5/8	13-11/16
	● 4412 ● 4422 ● 4432	27-1/2" TO 33-7/16"	5-5/8	7-3/8	5-1/4	7	4-7/8	6-5/8	4-9/16	6-5/16	4-5/16	6-1/16	4-1/16	5-13/16	15-9/16
	● 4413 ● 4423 ● 4433	33-1/2" TO 38-15/16"	10-5/8	8-5/16	10-1/8	7-13/16	9-11/16	7-3/8	9-3/8	7-1/16	9-1/16	6-3/4	8-3/4	6-7/16	16-7/16
CENTER HUNG	● 4414 ● 4424 ● 4434	39" TO 48"	15	9-13/16	14-7/16	9-1/4	13-15/16	8-3/4	13-1/2	8-5/16	13-1/8	7-15/16	12-3/4	7-9/16	18-1/16



www.abhmfg.com
 E-mail: abhinfo@abhmfg.com
 Architectural Builders Hardware Mfg., Inc.
 1222 Ardmore Ave., Itasca, IL 60143
 630.875.9900; FAX 800.9FAXABH (932.9224)

©2017 ABH Mfg., Inc.
 printed in USA

4400

PAGE 2 OF 2
 REVISED 08-02-19