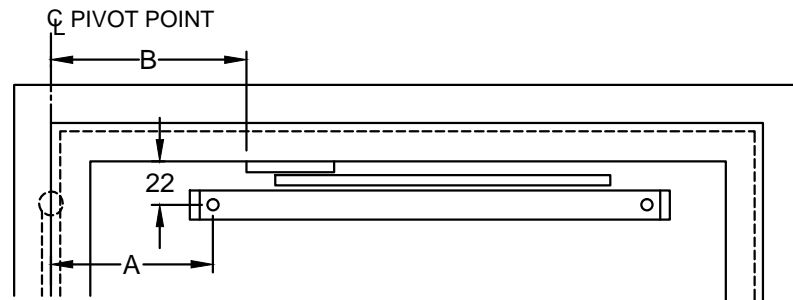
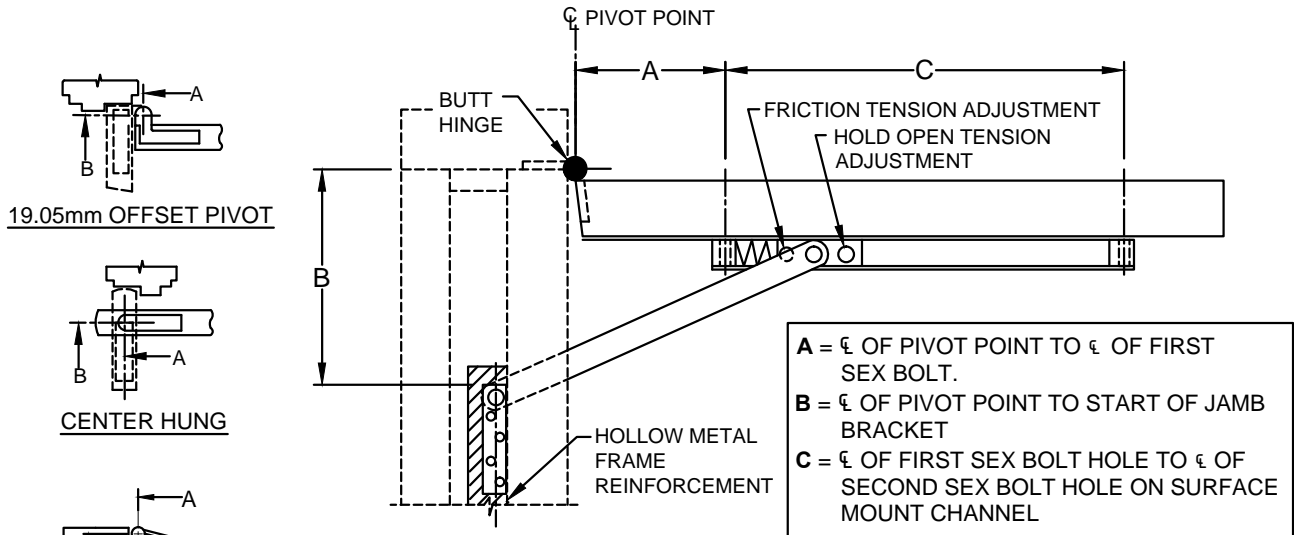
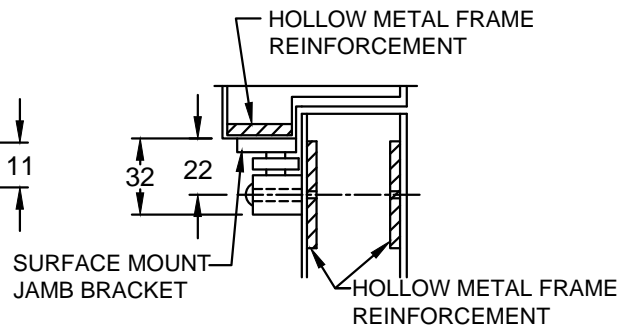
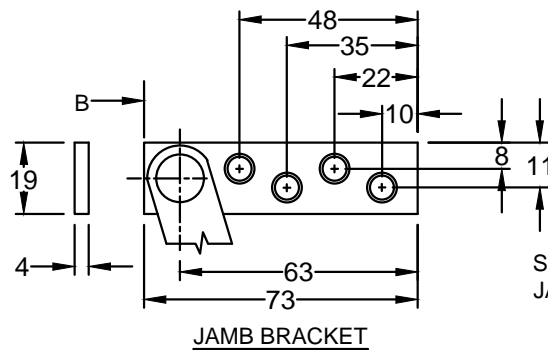


4400 SERIES SURFACE HOLDERS & STOPS - METRIC



SPECIFY ANGLE JAMB BRACKET 44443 FOR HINGE SIDE OR FLUSH TRANSOM MOUNTING



SCREW DETAIL			
	QTY	WOOD	METAL
JAMB	4	● #10 x 1-1/2" FLAT HEAD WOOD SCREW	● 10-32 x 1/2" FLAT HEAD MACHINE SCREW
DOOR	2	● 10-32 x 1-1/2" TRUSS HEAD MACHINE SCREW ● 5/16" DIA. SEX BOLT	● 10-32 x 1-1/2" TRUSS HEAD MACHINE SCREW ● 5/16" DIA. SEX BOLT

NOTES:

1. REVERSIBLE/ NON - HANDED
2. FOR SINGLE ACTING DOORS ONLY
3. ALL DRILLING & TAPPING TO BE DONE IN FIELD.
4. ALWAYS REQUEST LATEST TEMPLATE/ DRAWING FOR NEW INSTALLATIONS.
5. ALL DIMENSIONS ARE IN MILLIMETERS, UNLESS NOTED OTHERWISE.
6. DRAWING IS NOT TO SCALE



www.abhmfg.com
 E-mail: abhinfo@abhmfg.com
 Architectural Builders Hardware Mfg., Inc.
 1222 Ardmore Ave., Itasca, IL 60143
 630.875.9900; FAX 800.9FAXABH (932.9224)

©2017 ABH Mfg., Inc.
 printed in USA

4400 METRIC

PAGE 1 OF 2
 REVISED 10-18-17

4400 METRIC-1-03.DWG

4400 SERIES SURFACE HOLDERS & STOPS - METRIC

SURFACE MOUNT

- 4410 HOLD-OPEN ● 4420 STOP ● 4430 FRICTION

1. FOR DEAD STOP ADD 19mm TO "A" DIMENSION
 2. ALL DIMENSIONS ARE IN MILLIMETERS.

DOOR THICKNESS	DEGREE		85° H.O.		90° H.O.		95° H.O.		100° H.O.		105° H.O.		110° H.O.		C
	MODEL NO.	DOOR OPENING	A	B	A	B	A	B	A	B	A	B	A	B	
44mm TO 60mm	● 4411 ● 4421 ● 4431	457 mm TO 609mm	64	130	56	122	48	114	43	110	—	—	—	—	348
	● 4412 ● 4422 ● 4432	610 mm TO 761mm	127	171	117	162	108	152	100	144	94	138	—	—	395
	● 4413 ● 4423 ● 4433	762 mm TO 913mm	254	195	241	183	230	171	222	164	214	156	206	148	418
BUTT & 19.05mm OFFSET PIVOT	● 4414 ● 4424 ● 4434	914 mm TO 1219mm	365	233	351	219	338	206	327	195	318	186	308	176	459

DOOR THICKNESS	DEGREE		85° H.O.		90° H.O.		95° H.O.		100° H.O.		105° H.O.		110° H.O.		C
	MODEL NO.	DOOR OPENING	A	B	A	B	A	B	A	B	A	B	A	B	
35mm TO 43mm	● 4411 ● 4421 ● 4431	457 mm TO 609mm	70	137	62	129	54	121	49	116	—	—	—	—	348
	● 4412 ● 4422 ● 4432	610 mm TO 761mm	133	178	124	168	114	159	106	151	100	144	—	—	395
	● 4413 ● 4423 ● 4433	762 mm TO 913mm	260	202	248	189	237	178	229	170	221	162	213	154	418
BUTT & 19.05mm OFFSET PIVOT	● 4414 ● 4424 ● 4434	914 mm TO 1219mm	371	240	357	222	344	213	333	202	324	192	314	183	459

DOOR THICKNESS	DEGREE		85° H.O.		90° H.O.		95° H.O.		100° H.O.		105° H.O.		110° H.O.		C
	MODEL NO.	DOOR OPENING	A	B	A	B	A	B	A	B	A	B	A	B	
35mm TO 60mm	● 4411 ● 4421 ● 4431	559mm TO 698mm	79	146	71	138	64	130	59	125	56	122	51	117	348
	● 4412 ● 4422 ● 4432	699mm TO 850mm	143	187	133	178	124	168	116	160	110	154	103	148	395
	● 4413 ● 4423 ● 4433	851 mm TO 990mm	270	211	257	198	246	187	238	179	230	171	222	164	418
CENTER HUNG	● 4414 ● 4424 ● 4434	991 mm TO 1219mm	381	249	366	235	354	222	343	211	333	202	324	192	459



www.abhmfg.com
 E-mail: abhinfo@abhmfg.com
 Architectural Builders Hardware Mfg., Inc.
 1222 Ardmore Ave., Itasca, IL 60143
 630.875.9900; FAX 800.9FAXABH (932.9224)

©2017 ABH Mfg., Inc.
 printed in USA

4400 METRIC

PAGE 2 OF 2
 REVISED 10-18-17

4400 METRIC-2-03.DWG