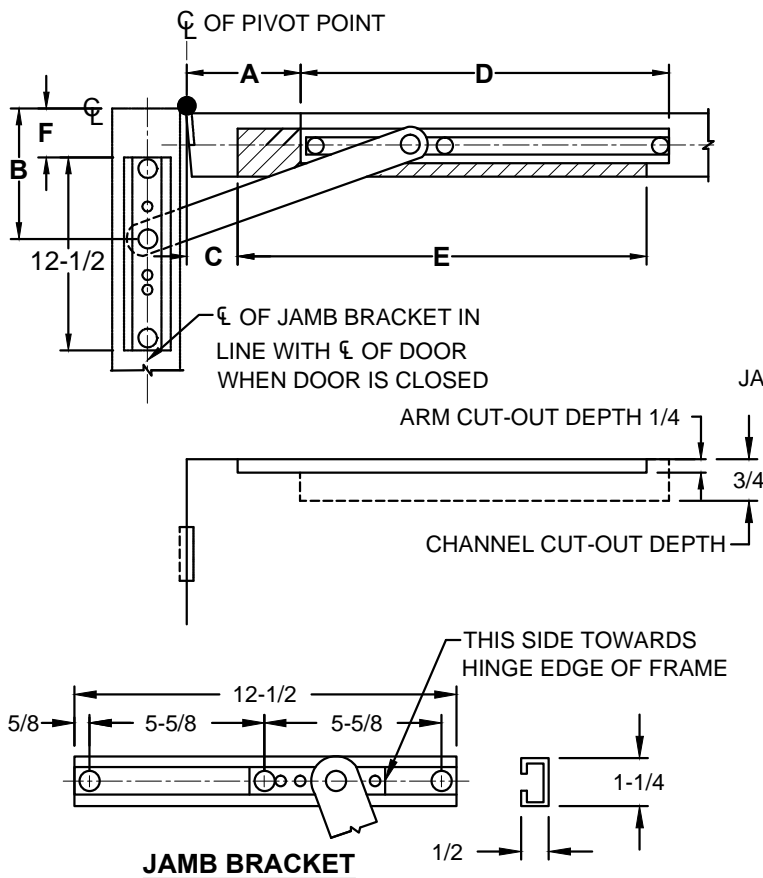
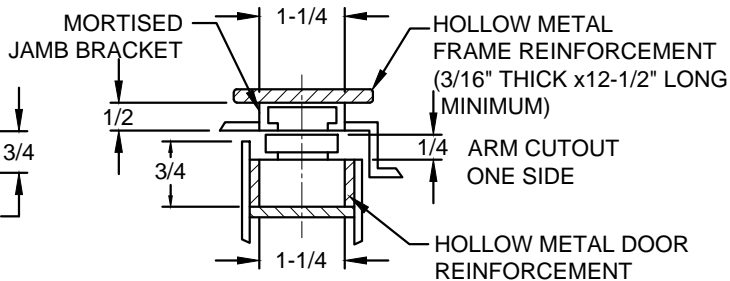


1000SA SERIES OVERHEAD HOLDERS & STOPS

- CONCEALED MOUNT
- HEAVY DUTY
- SLIM LINE
- ADJUSTABLE
- 1010SA HOLD-OPEN
- 1020SA STOP



A = ϵ OF PIVOT POINT TO START OF CHANNEL CUT-OUT
B = ϵ OF PIVOT POINT TO ϵ OF JAMB BRACKET PIVOT POINT (FOR REFERENCE ONLY)
C = ϵ OF PIVOT POINT TO START OF ARM CUT-OUT
D = CHANNEL CUT-OUT LENGTH
E = ARM CUT-OUT LENGTH
F = ϵ OF PIVOT POINT TO START OF JAMB BRACKET CUT-OUT



SINGLE ACTING DOOR

NOTES:

1. REVERSIBLE/ NON - HANDED
2. FOR SINGLE ACTING DOORS ONLY
3. ALWAYS REQUEST LATEST TEMPLATE/ DRAWING FOR NEW INSTALLATIONS.
4. ALL DIMENSIONS ARE IN INCHES.
5. DRAWING IS NOT TO SCALE.
6. ALL DRILLING AND TAPPING TO BE DONE IN FIELD.

ADJUSTABLE JAMB BRACKET NOTES:

- JAMB BRACKET SLIDING CAM MUST BE INSTALLED WITH SHORT END TOWARD HINGE EDGE OF FRAME
- AFTER INSTALLATION TIGHTEN (3) SET SCREWS IN JAMB BRACKET WITH 5/32 ALLEN WRENCH AT SELECTED DEGREE USING "B" DIMENSION AS REFERENCE.

SCREW DETAIL			
	QTY	WOOD	METAL
JAMB	3	#14 x 1-1/2" FLAT HEAD WOOD SCREW	1/4-20 X 3/4" FLAT HEAD MACHINE SCREW
DOOR	2	#18 x 2-1/2" FLAT HEAD WOOD SCREW	5/16-18 X 1-1/2" FLAT HEAD MACHINE SCREW

DOOR THICKNESS 1-3/4" TO 2-1/4"	MODEL NO.	DOOR FRAME OPENING	A **	B (REFERENCE ONLY)						C	D	E	F
				DEGREE OF DOOR OPENING									
				85°	90°	95°	100°	105°	110°				
BUTT HINGES & 3/4" OFFSET PIVOTS	●1011SA* ●1021SA*	27 TO 29-15/16	4-9/16*	7-5/8*	6-1/8*	5*	4*	3-1/8*	2-3/4*	0*	19-5/8*	22*	1-1/8*
	●1012SA ●1022SA	30 TO 35-15/16	4-1/2	10-1/4	8-13/16	7-5/8	6-5/8	5-3/4	5-3/16	0	22-7/8	25-1/8	3-3/4
	●1013SA ●1023SA	36 TO 39-15/16	5-1/16	11-15/16	10-9/16	9-7/16	8-3/8	7-7/16	6-11/16	4	25-1/4	25-1/4	5-1/4
	●1014SA ●1024SA	40 TO 43-15/16	8-3/4	14-3/4	13-1/8	11-5/8	10-7/16	9-1/8	8-3/16	8	29	27-9/16	6-3/8
	●1015SA ●1025SA	44 TO 52	11-3/4	15-3/4	13-7/8	12-1/8	10-5/8	9-5/16	8-1/4	11	30	28-1/2	6-7/8

* BUTT HINGE HUNG ONLY. FOR OFFSET PIVOTS CONTACT ABH.

** FOR DEAD STOP, ADD 7/8" TO "A" DIMENSION.



www.abhmfg.com
 E-mail: abhinfo@abhmfg.com
 Architectural Builders Hardware Mfg., Inc.
 1222 Ardmore Ave., Itasca, IL 60143
 630.875.9900; FAX 800.9FAXABH (932.9224)

©2017 ABH Mfg., Inc.
 printed in USA

1000SA-03.DWG

1000SA

PAGE 1 OF 1
 REVISED 10-18-17