

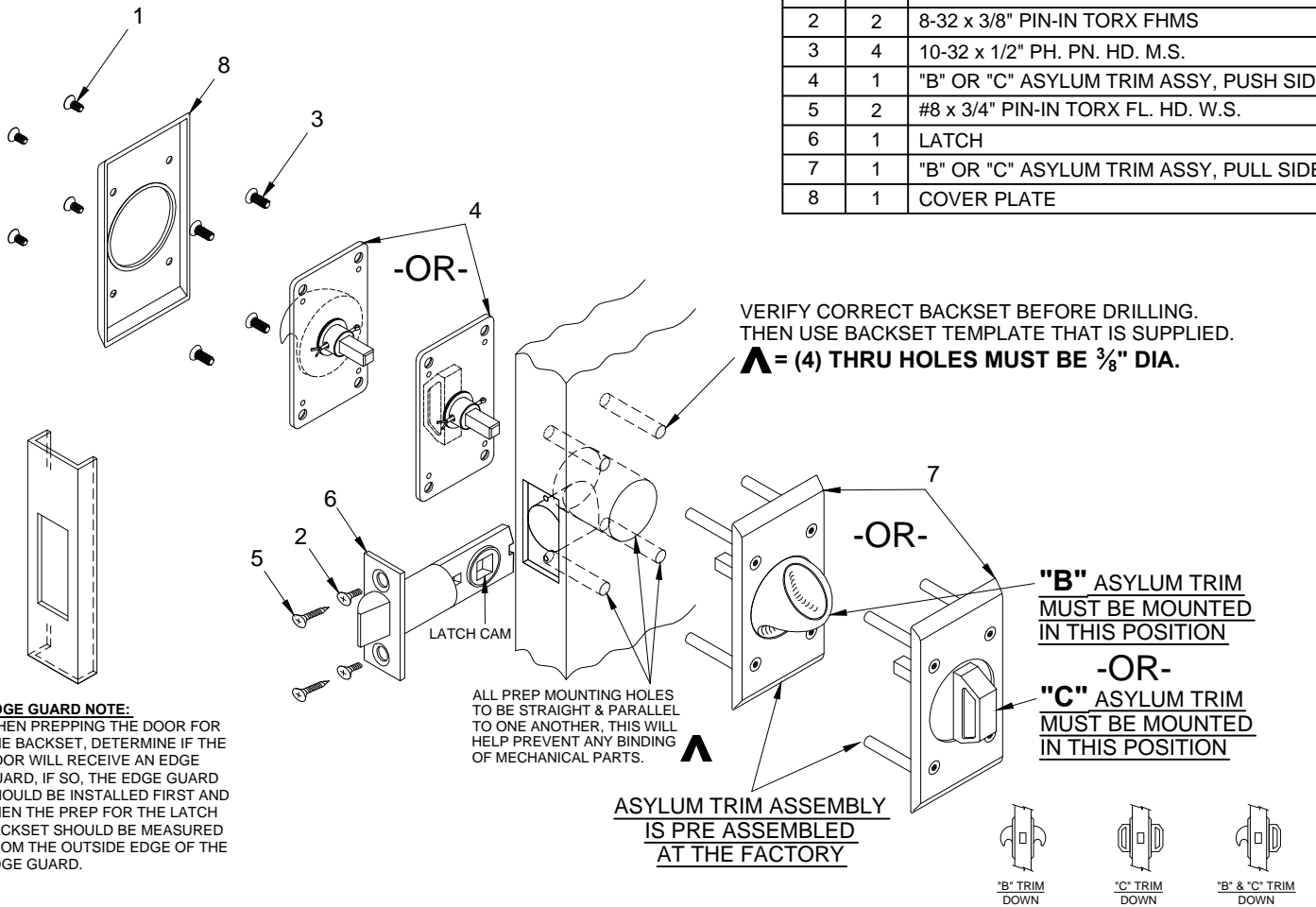
# 6200-AB SERIES INSTALLATION, "B" ASYLUM TRIM ROUND KNOB -OR- "C" ASYLUM TRIM ANGLE KNOB



**NOTES**

1. TRIM MUST BE MOUNTED VERTICALLY.
2. USES STANDARD 161 DOOR PREP.
3. VISION LITE MUST BE AT LEAST 6" FROM LATCH PREP.

ITEM	QTY	PART DESCRIPTION
1	8	8-32 x 1/4" PIN-IN TORX BUTTON HD. M.S.
2	2	8-32 x 3/8" PIN-IN TORX FHMS
3	4	10-32 x 1/2" PH. PN. HD. M.S.
4	1	"B" OR "C" ASYLUM TRIM ASSY, PUSH SIDE
5	2	#8 x 3/4" PIN-IN TORX FL. HD. W.S.
6	1	LATCH
7	1	"B" OR "C" ASYLUM TRIM ASSY, PULL SIDE
8	1	COVER PLATE



**INSTALLATION INSTRUCTIONS:**

1. Prep door according to latch backset and prep the trim assembly for **"VERTICAL MOUNTING "ONLY"** using backset template. ▲
2. Install latch using either #8 (item 5) or 8-32 screws (item 2) depending on door type.
3. Install trim:
  - A) Select the pull side asylum trim assembly (item 7). With trim in hand, rotate the asylum knob to the position shown and install it into the door engaging the square shaft into the latch cam (item 6) sliding it all the way in.
  - B) Place the other asylum trim assy (item 4) engaging the square shaft into the latch cam (item 6) while making sure both knobs are in the position shown.
  - C) Fasten the (2) trim assemblies by hand using (4) 10-32 M.S. (item 3). Test both trim assemblies for free movement of the latch bolt before tightening all screws. If latch bolt does not extend or retract freely because of any type of binding, Loosen mounting screws one at a time while checking latch bolt movement from both asylum knobs.
  - D) Once both asylum trims are working properly make sure all screws are tight.
4. Install cover plate (item 8) using (4) 8-32 M.S. (item 1).

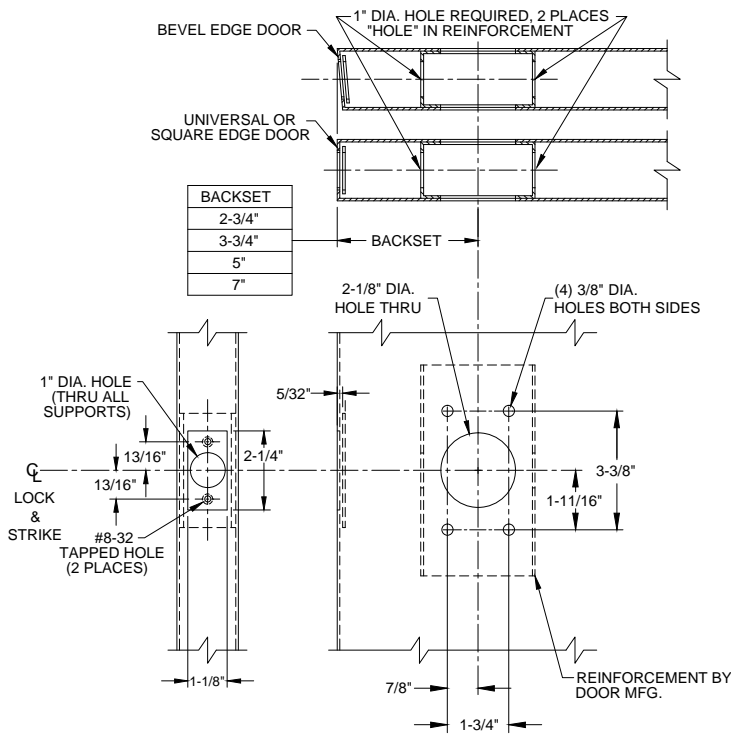


® www.abhmfg.com  
 E-mail: abhinfo@abhmfg.com  
 Architectural Builders Hardware Mfg., Inc.  
 1222 Ardmore Ave., Itasca, IL 60143  
 630.875.9900; FAX 800.9FAXABH (932.9224)

©2017 ABH Mfg., Inc.  
 printed in USA

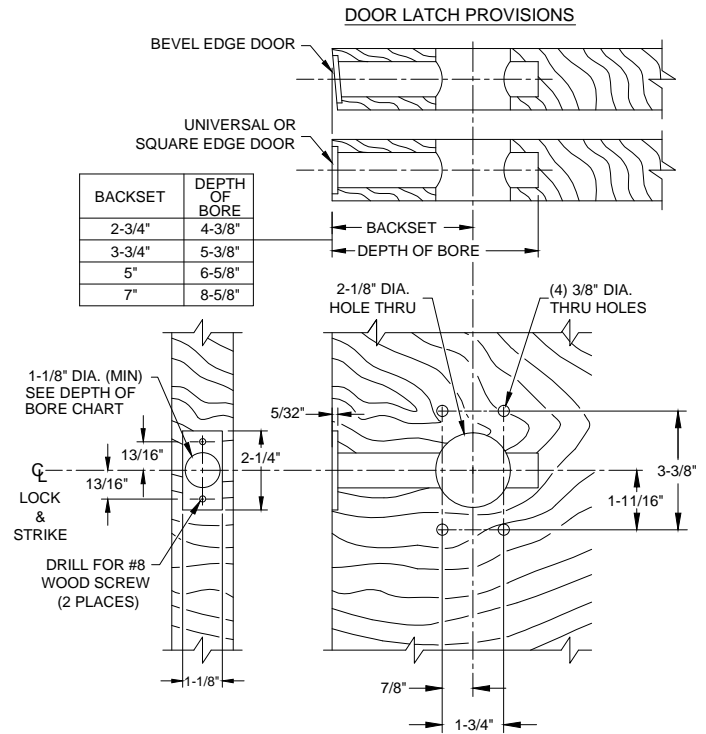
6200-AB-1-00.DWG  
**6200-AB**  
**"B" OR "C" TRIM OPTION**  
 PAGE 1 OF 3  
 ISSUED 07-05-17

# 6200-AB SERIES, ASYLUM TRIM - DOOR PREP



## METAL DOOR

(VERTICAL MOUNTING SHOWN)

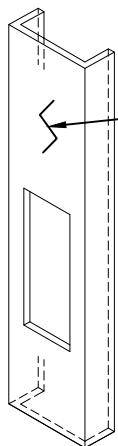


## WOOD DOOR

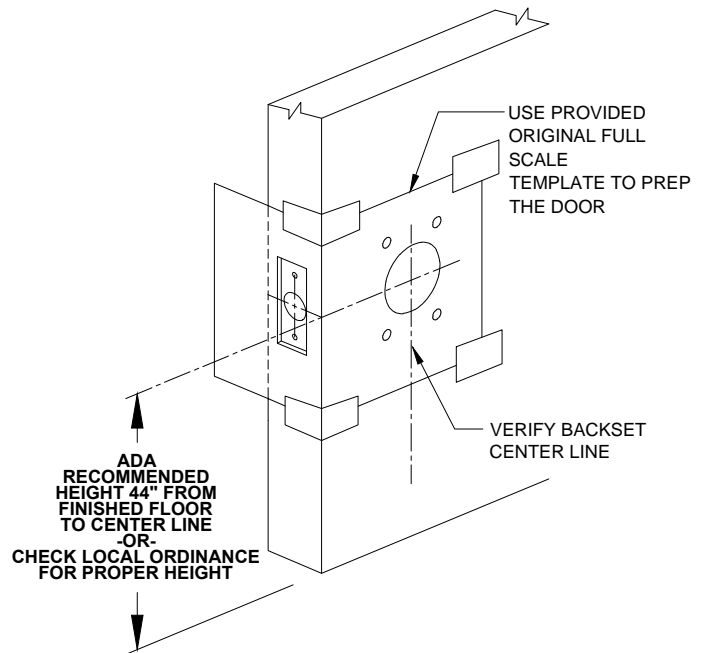
(VERTICAL MOUNTING SHOWN)

### DOOR PREP INFORMATION:

1. BACKSET DIMENSION FROM LOW EDGE OF BEVEL.
2. CENTER PUNCH ALL HOLES.
3. DRILL HOLES (FOR HOLLOW METAL DOORS, DO NOT DRILL THRU. CENTER PUNCH & DRILL HOLES FROM BOTH SIDES OF DOOR).



**EDGE GUARD NOTE:**  
WHEN PREPPING THE DOOR FOR THE BACKSET, DETERMINE IF THE DOOR WILL RECEIVE AN EDGE GUARD. IF SO, THE EDGE GUARD SHOULD BE INSTALLED FIRST AND THEN THE PREP FOR THE LATCH BACKSET SHOULD BE MEASURED FROM THE OUTSIDE EDGE OF THE EDGE GUARD.



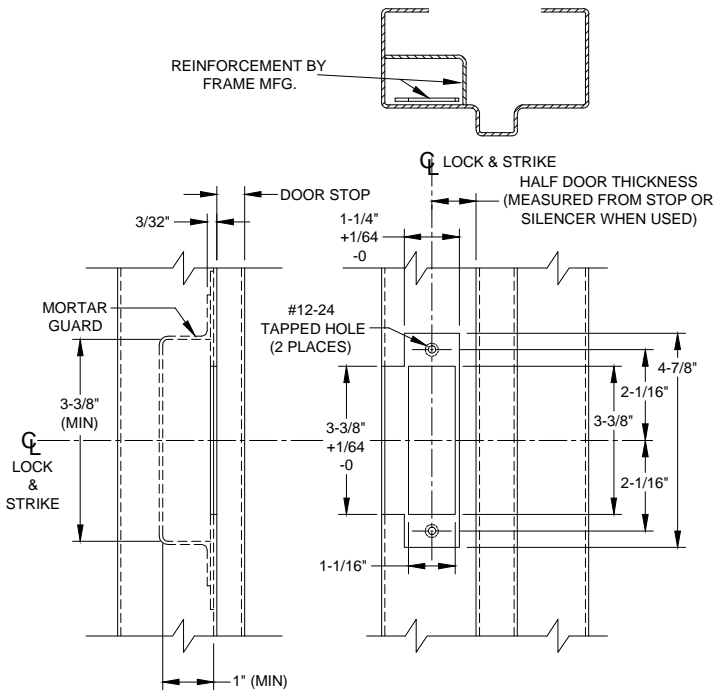
® [www.abhmfg.com](http://www.abhmfg.com)  
E-mail: [abhinfo@abhmfg.com](mailto:abhinfo@abhmfg.com)  
Architectural Builders Hardware Mfg., Inc.  
1222 Ardmore Ave., Itasca, IL 60143  
630.875.9900; FAX 800.9FAXABH (932.9224)

© 2017 ABH Mfg., Inc.  
printed in USA

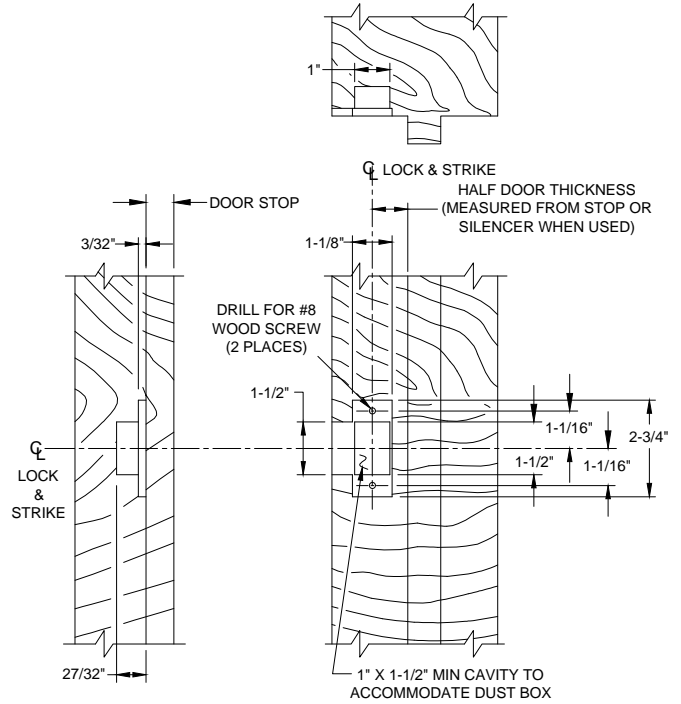
6200-AB  
"B" OR "C" TRIM OPTION  
PAGE 2 OF 3  
ISSUED 07-05-17

6200-AB-2-00.DWG

# 6200-AB SERIES, ASYLUM TRIM - DOOR PREP



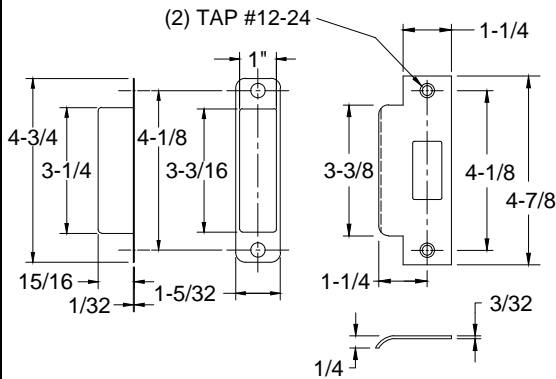
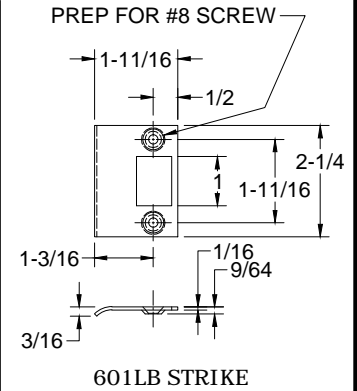
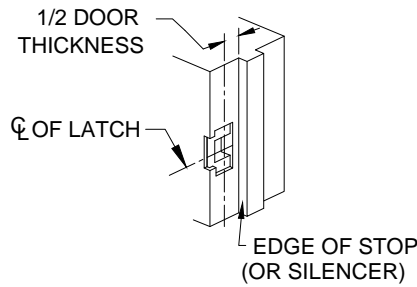
**METAL FRAME**  
(ASA STRIKE SHOWN FOR EXAMPLE)



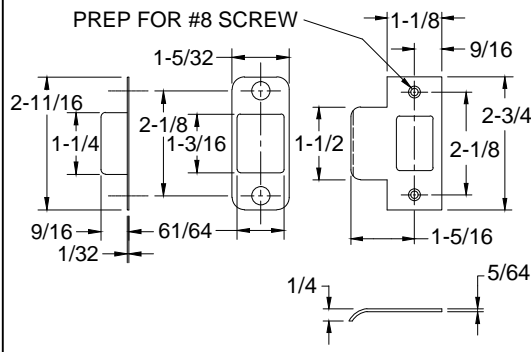
**WOOD FRAME**  
("T" STRIKE SHOWN FOR EXAMPLE)

**FRAME PREP:**

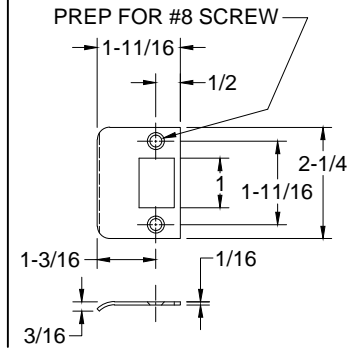
1. Mark centerline of latch bolt on frame.
2. Center strike and mark screw positions.
3. Mortise to required strike and box depth.
4. All dimensions in inches.



ASA STRIKE & DUST BOX



"T" STRIKE & DUST BOX



"D" STRIKE



® [www.abhmfg.com](http://www.abhmfg.com)  
 E-mail: [abhinfo@abhmfg.com](mailto:abhinfo@abhmfg.com)  
 Architectural Builders Hardware Mfg., Inc.  
 1222 Ardmore Ave., Itasca, IL 60143  
 630.875.9900; FAX 800.9FAXABH (932.9224)

© 2017 ABH Mfg., Inc.  
 printed in USA

6200-AB-3-00.DWG  
**6200-AB**  
**"B" OR "C" TRIM OPTION**  
 PAGE 3 OF 3  
 ISSUED 07-05-17