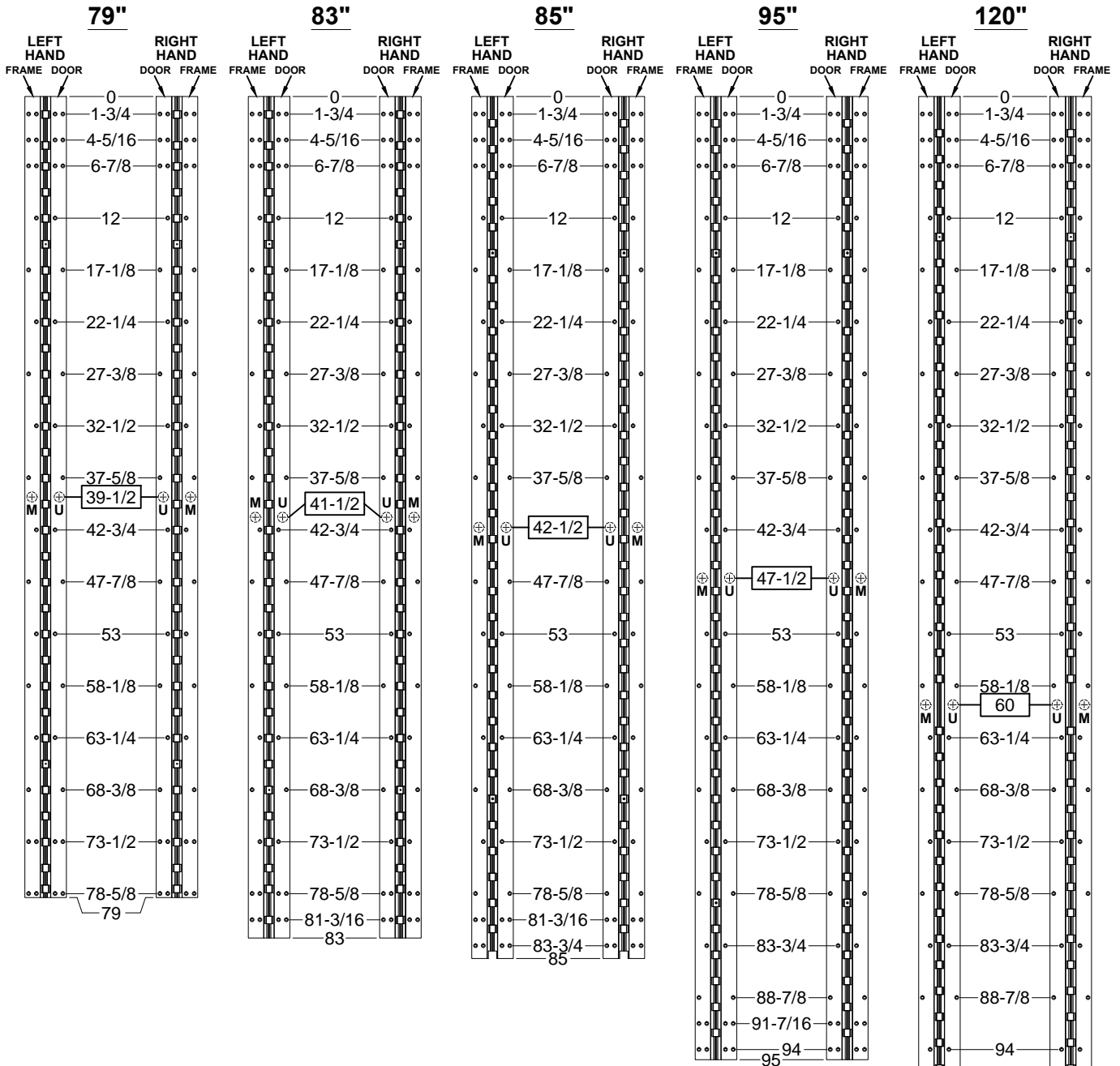


**A150HD - "EM" OPTION, KAWNEER, CONCEALED ELECTRIFICATION, FULL CONCEALED,
ALUMINUM GEARED HINGE**



M = MONITOR SWITCH SIDE
U = MAGNET SIDE



STANDARD HINGE SIZES & SCREW DETAIL

NOMINAL DOOR HEIGHT	6'8"	7'0"	7'2"	8'0"	10'0"
ACTUAL HINGE LENGTH	79"	83"	85"	95"	120"
FRAME	12-24 x 7/8" PHILLIPS FLAT HEAD, UNDERCUT, SELF DRILLING, THREAD FORMING TEK MACHINE SCREW				
DOOR	12-24 X 7/8" PH. F.H. UNDERCUT SELF DRILLING THREAD FORMING TEK SCREW				
	22	23	23	25	30

A150HD-EM OPTION, CONCEALED ELECTRIFICATION-1-01



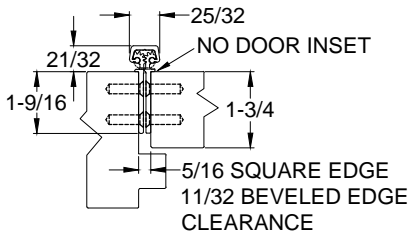
® www.abhmfg.com
E-mail: abhinfo@abhmfg.com
Architectural Builders Hardware Mfg., Inc.
1222 Ardmore Ave., Itasca, IL 60143
630.875.9900; FAX 800.9FAXABH (932.9224)

**A150HD - "EM" OPTION
CONCEALED ELECTRIFICATION**

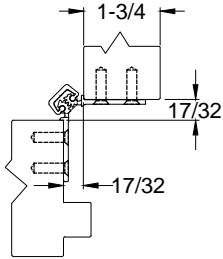
© 2016 ABH Mfg., Inc.
printed in USA

PAGE 1 OF 2
ISSUED 06-13-17

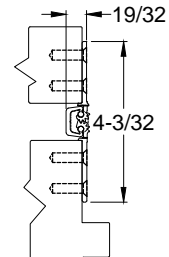
A150HD - "EM" OPTION, KAWNEER, CONCEALED ELECTRIFICATION, FULL CONCEALED, ALUMINUM GEARED HINGE



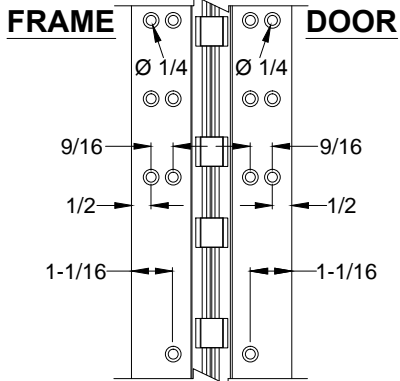
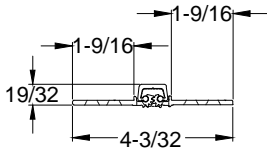
CLOSED POSITION



90° OPENING

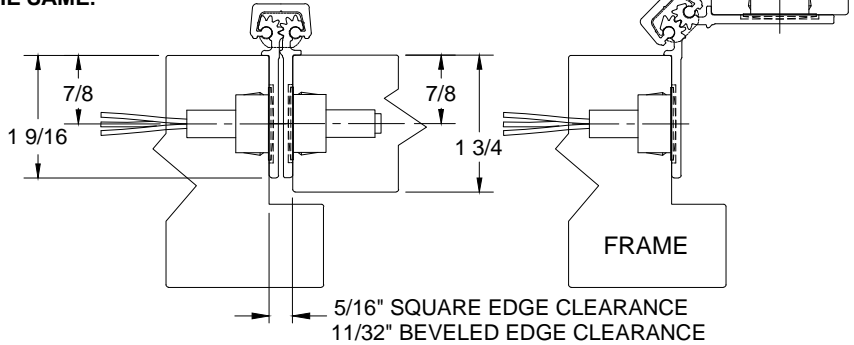


180° OPENING



NOTES:

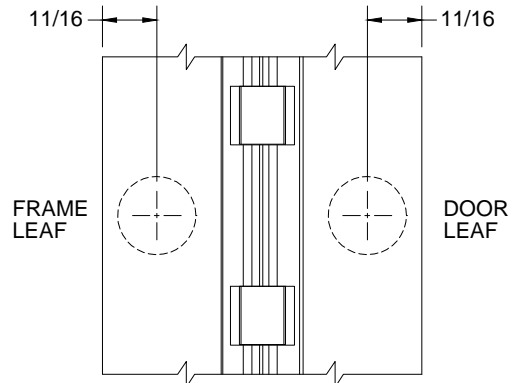
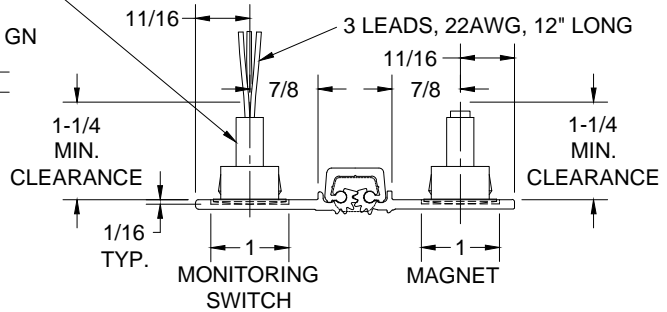
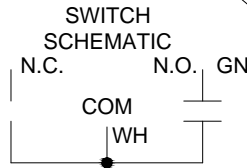
1. HINGES CUT TO CUSTOM LENGTH ARE CUT FROM BOTTOM OF HINGE.
2. SPECIFY HANDING WHEN ORDERING.
3. IF "M" OPTION (MOVEABLE PANEL) OR "R" OPTION (REMOVABLE PANEL) IS CHOSEN, TEMPLATE REMAINS THE SAME.



MAGNETIC MONITOR SWITCH VIEW, LEFT HAND SHOWN

NOTE: 7/8" DIA. MIN. CLEARANCE HOLE REQUIRED IN DOOR & FRAME FOR MONITORING SWITCH AND MAGNET

ELECTRICAL CONFIG.: SPDT
 MAX. INITIAL CONTACT RESISTANCE : 0.140 OHM
 MAX. CONTACT RATING: 5 WATT
 MAX. SWITCHING VOLTAGE: 175 VDC
 MAX. SWITCHING CURRENT: 0.25 AMP



MAGNETIC MONITOR SWITCH VIEW

A150HD-MT OPTION, CONCEALED ELECTRIFICATION-2-01



® www.abhmfg.com
 E-mail: abhinfo@abhmfg.com
 Architectural Builders Hardware Mfg., Inc.
 1222 Ardmore Ave., Itasca, IL 60143
 630.875.9900; FAX 800.9FAXABH (932.9224)

**A150HD - "EM" OPTION
 CONCEALED ELECTRIFICATION**

© 2017 ABH Mfg., Inc.
 printed in USA

PAGE 2 OF 2
 ISSUED 06-13-17