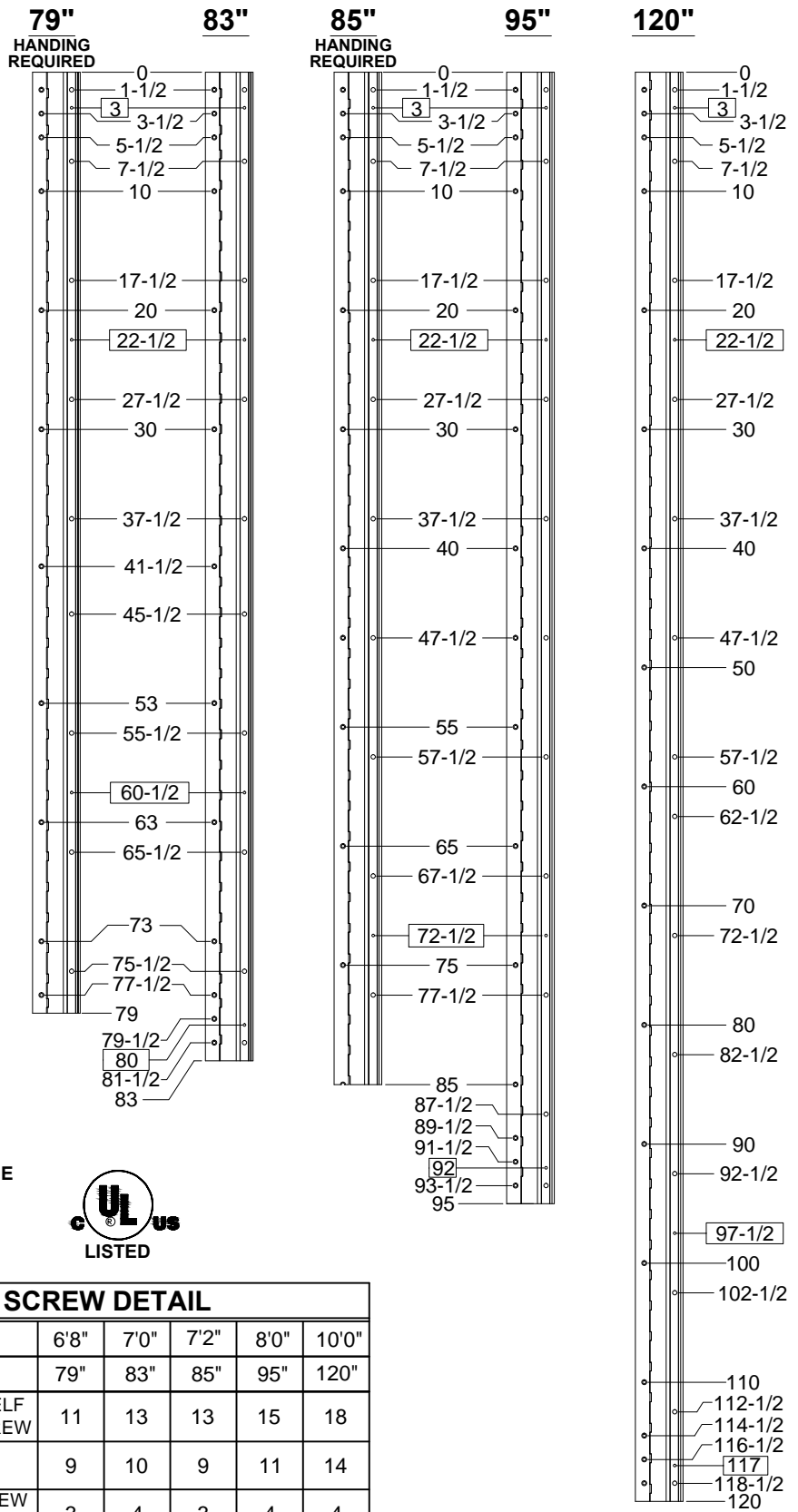
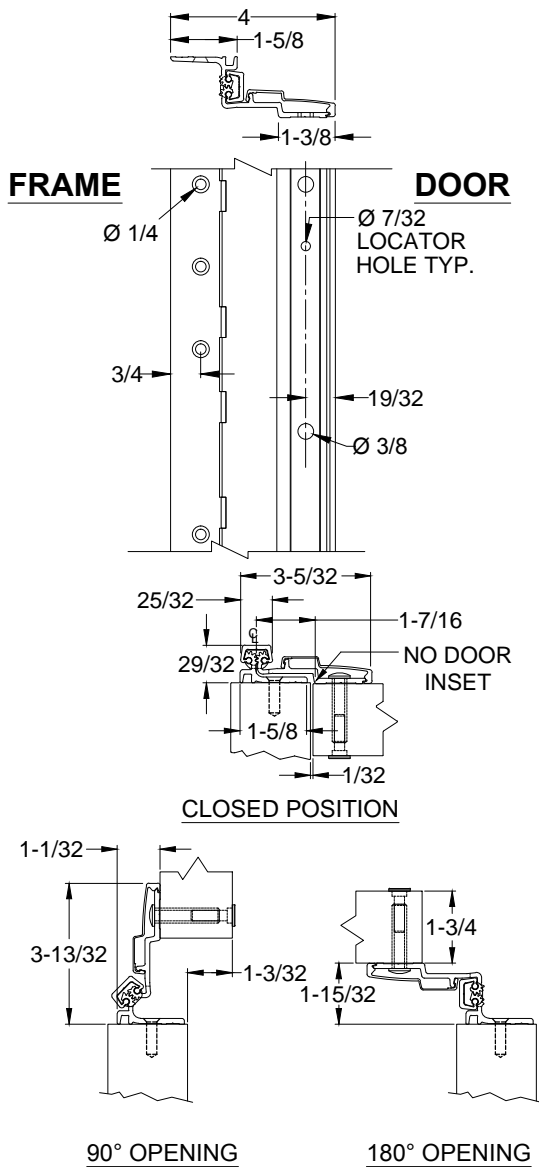


A210 - ALUMINUM GEARED HINGE, SWING CLEAR, NO INSET, FULL SURFACE



NOTES:

1. HINGES CUT TO CUSTOM LENGTH ARE CUT FROM THE BOTTOM. PLEASE SPECIFY HANDING.
2. ALL DIMENSIONS ARE IN INCHES.
3. ALL DIMENSIONS ARE TO CENTERLINE OF HOLES.
4. XX" DENOTES LOCATOR HOLE.



STANDARD HINGE SIZES & SCREW DETAIL

NOMINAL DOOR HEIGHT	6'8"	7'0"	7'2"	8'0"	10'0"
ACTUAL HINGE LENGTH	79"	83"	85"	95"	120"
FRAME	12-24 x 7/8" PHILLIPS FLAT HEAD, UNDERCUT, SELF DRILLING, THREAD FORMING TEK MACHINE SCREW				
DOOR	1/4-20 x 1-11/16" x 3/8 DIA. SEX BOLT & 1/4-20 x 1-1/8" PH. HEAD SHOULDER SCREW				
	11	13	13	15	18
	12-24 x 7/8" PH. PN. HD. SELF DRILLING TEK SCREW (LOCATOR HOLE)				
	9	10	9	11	14
	3	4	3	4	4

A210-ALUMINUM GEARED HINGE-01.DWG



® www.abhmfg.com
 E-mail: abhinfo@abhmfg.com
 Architectural Builders Hardware Mfg., Inc.
 1222 Ardmore Ave., Itasca, IL 60143
 630.875.9900; FAX 800.9FAXABH (932.9224)

A210
ALUMINUM GEARED HINGE

©2017 ABH Mfg., Inc.
 printed in USA

PAGE 1 OF 1
 ISSUED 04-27-17