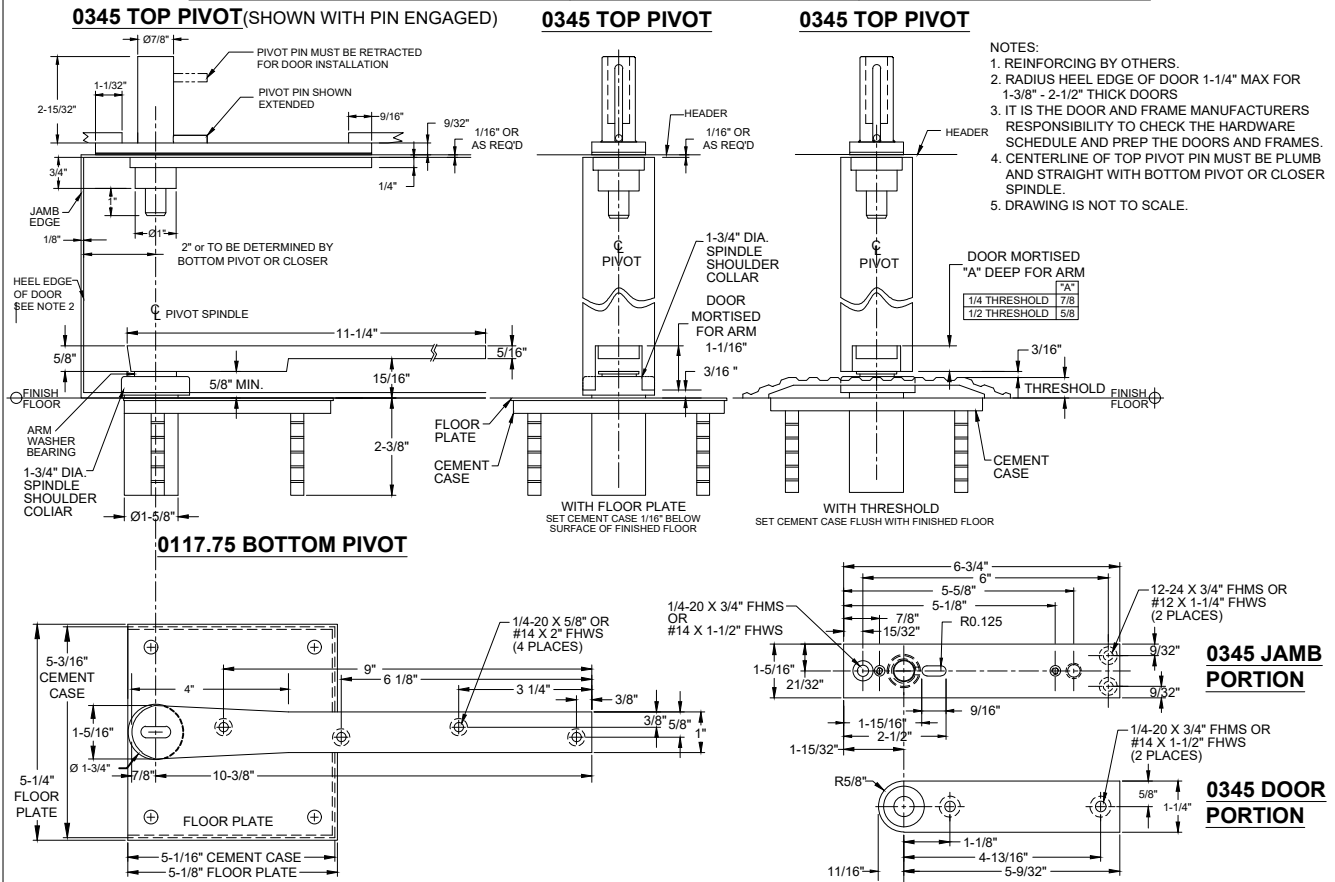
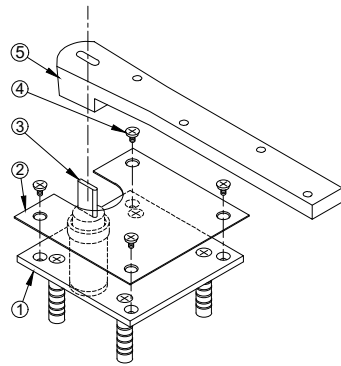


# 0117.75 PIVOT SET, CENTER HUNG, NON-HANDED

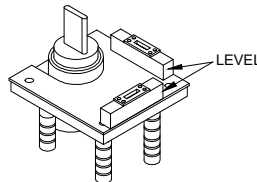
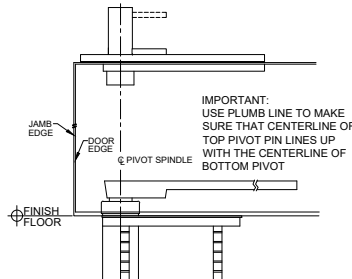


## INSTALLATION INSTRUCTIONS

1. REINFORCING BY OTHERS.
2. RADIUS HEEL EDGE OF DOOR 1-1/4" MAX FOR 1-3/8"- 2-1/2" THICK DOORS
3. IT IS THE DOOR AND FRAME MANUFACTURERS RESPONSIBILITY TO CHECK THE HARDWARE SCHEDULE AND PREP THE DOORS AND FRAMES.
4. CENTERLINE OF TOP PIVOT PIN MUST BE PLUMB AND STRAIGHT WITH BOTTOM PIVOT OR CLOSER SPINDLE.
5. MEASURE 2" OUT FROM DOOR JAMB ON CENTERLINE OF DOOR. THIS IS THE LOCATION OF SPINDLE CENTER.
6. INSTALL THE 0345 JAMB PORTION PER TEMPLATE.
7. INSTALL THE 0345 DOOR PORTION PER TEMPLATE.
8. FASTEN 0345 DRESS PLATE TO 0345 JAMB PORTION.
9. INSTALL THE 0117.75 DOOR PORTION PER TEMPLATE.
10. INSTALL THE 0117.75 FLOOR PORTION PER TEMPLATE.
11. PLACE DOOR ON 0117.75 BOTTOM PIVOT AND LEAN THE TOP OF THE DOOR NEAR THE TOP JAMB.



ITEM NO.	QTY.	PART NO.
1	1	0117.50 CEMENT CASE
2	1	0117.50 CEMENT CASE MOUNTING PLATE
3	1	0117.75 PIVOT PIN
4	4	0117.50 CASE MOUNTING PLATE SCREWS
5	1	0117.75 ARM
6	1	1/16" THK. SHIM (IF REQ'D)



ITEM NO.	QTY.	PART NO.
1	1	0345 JAMB PORTION
2	1	0345 DRESS PLATE
3	2	0345 DRESS PLATE SCREW
4	1	0345 DOOR PORTION

**Disclaimer:** This template is to be used for installation, as shown, of said product and is not suitable for every application method. Custom applications, where door sizes, weights and conflicting hardware are a factor, need to be addressed with ABH and proper instructions provided. ABH is not liable for failure or performance of the product due to improper installation methods and/or use. Improper use and/or installation of this product will void the standard warranty.