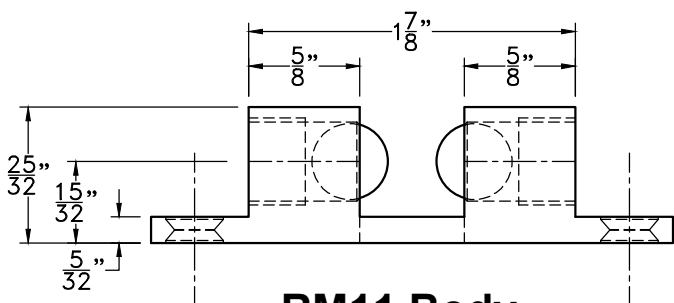
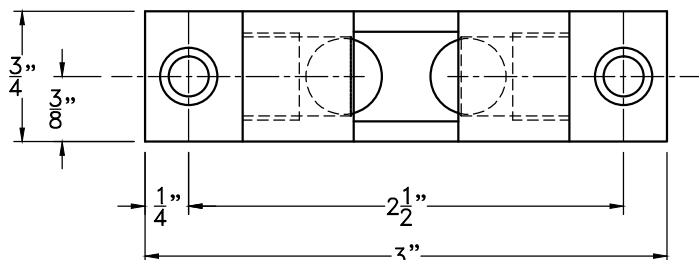
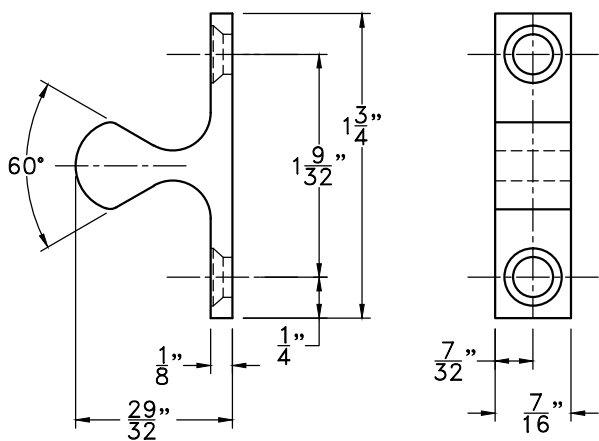


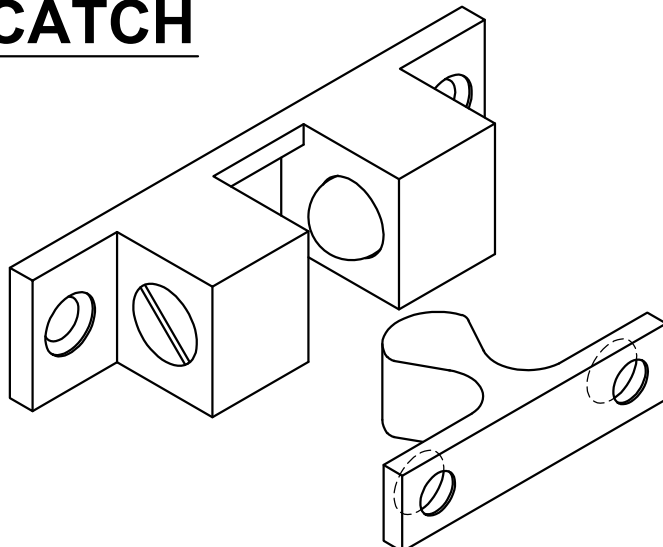
RM11 BALL CATCH



RM11 Body



RM11 Strike



Standard Features

- Four-way catch with plate type strike.
- Ideal for closet doors, access doors, hinged openings and numerous other applications.
- The strike slides between two stainless steel balls that are under spring tension. As the strike engages, the door is held tightly shut.
- Strike can enter body from any direction.
- Spring tension is easily adjusted by turning cap screw to suit field conditions.
- Body can be surface applied or mortised.

Body dimension: 3/4" W x 3" H x 25/32" D

Strike dimension: 7/16" W x 1-3/4" H x 29/32" D

Material:

Stainless steel is the standard base material.

Finishes:

ABH US3 US4 US10 US32 US32D

| | QTY | SCREW DETAIL |
|-------------|-----|---------------------------|
| RM11 BODY | 2 | #8 x 3/4" FLAT HEAD SCREW |
| RM11 STRIKE | 2 | #8 x 3/4" FLAT HEAD SCREW |



www.abhmfg.com
 E-mail: abhinfo@abhmfg.com
 Architectural Builders Hardware Mfg., Inc.
 1222 Ardmore Ave., Itasca, IL 60143
 630.875.9900; FAX 800.9FAXABH (932.9224)

©2017 ABH Mfg., Inc.
 printed in USA

RM11 BALL CATCH

PAGE 1 OF 1
 ISSUED 01-31-17