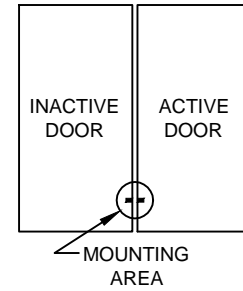
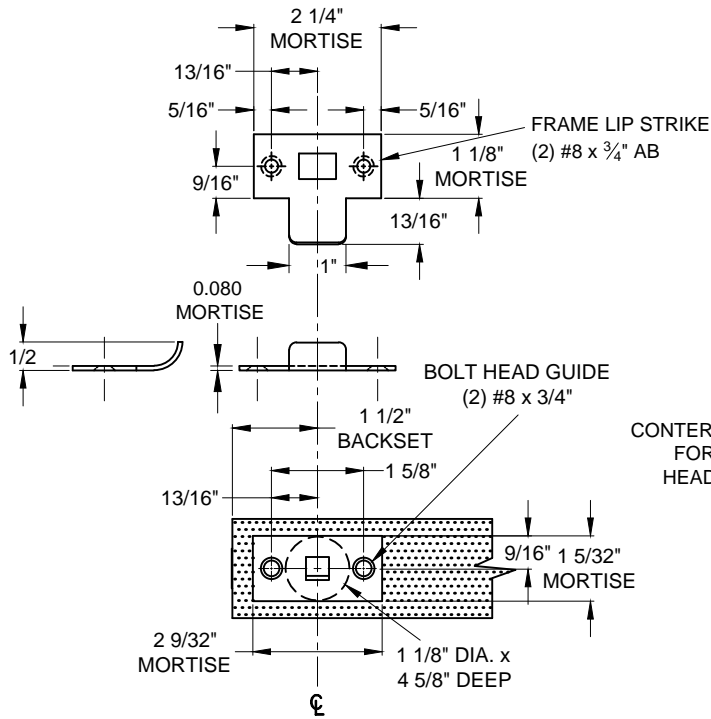
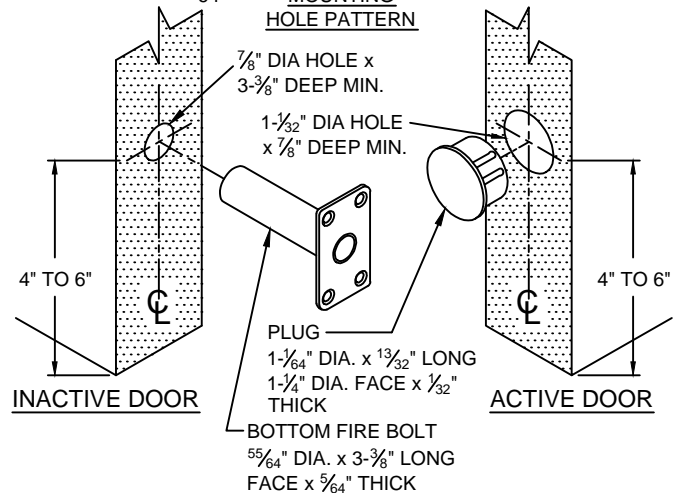
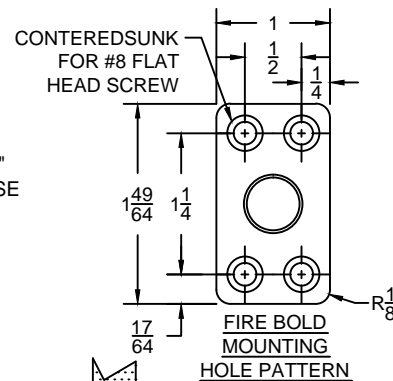


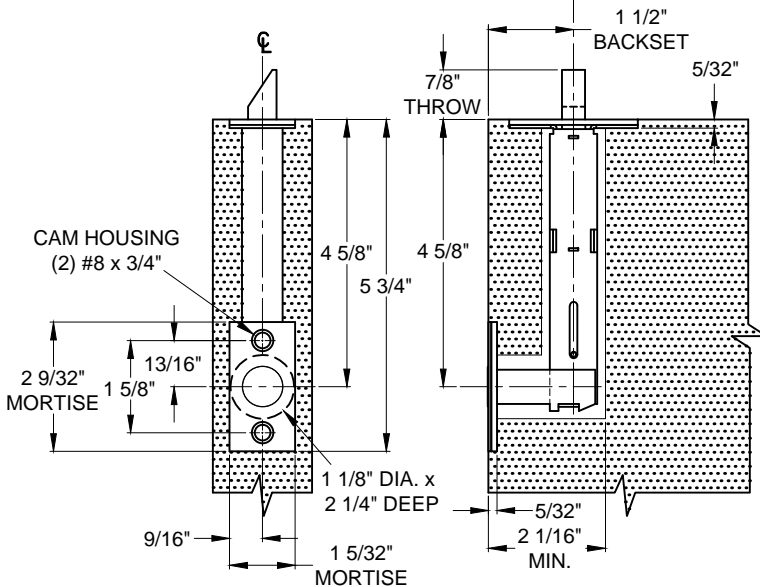
1874 CONSTANT LATCHING FLUSH BOLT TOP BOLT ONLY WITH BOTTOM FIRE BOLT, (WOOD & METAL DOOR APPLICATION)



1858 BOTTOM FIRE BOLT



**IMPORTANT: THE 1858 WILL PROJECT DURING A FIRE.
DO NOT COVER WITH ANY EDGE MOUNTED DOOR HARDWARE.**



SCREW DETAILS:

#8 - 32 x 3/4" AB - UNDERCUT FLAT COUNTERSUNK HEAD, DUAL PURPOSE MACHINE/TAPPING SCREW, TOTAL 10 PCS.



www.abhmfg.com
E-mail: abhinfo@abhmfg.com
Architectural Builders Hardware Mfg., Inc.
1222 Ardmore Ave., Itasca, IL 60143
630.875.9900; FAX 800.9FAXABH (932.9224)

©2017 ABH Mfg., Inc.
printed in USA

1874-00.DWG

1874

PAGE 1 OF 1
ISSUED 04-17-17