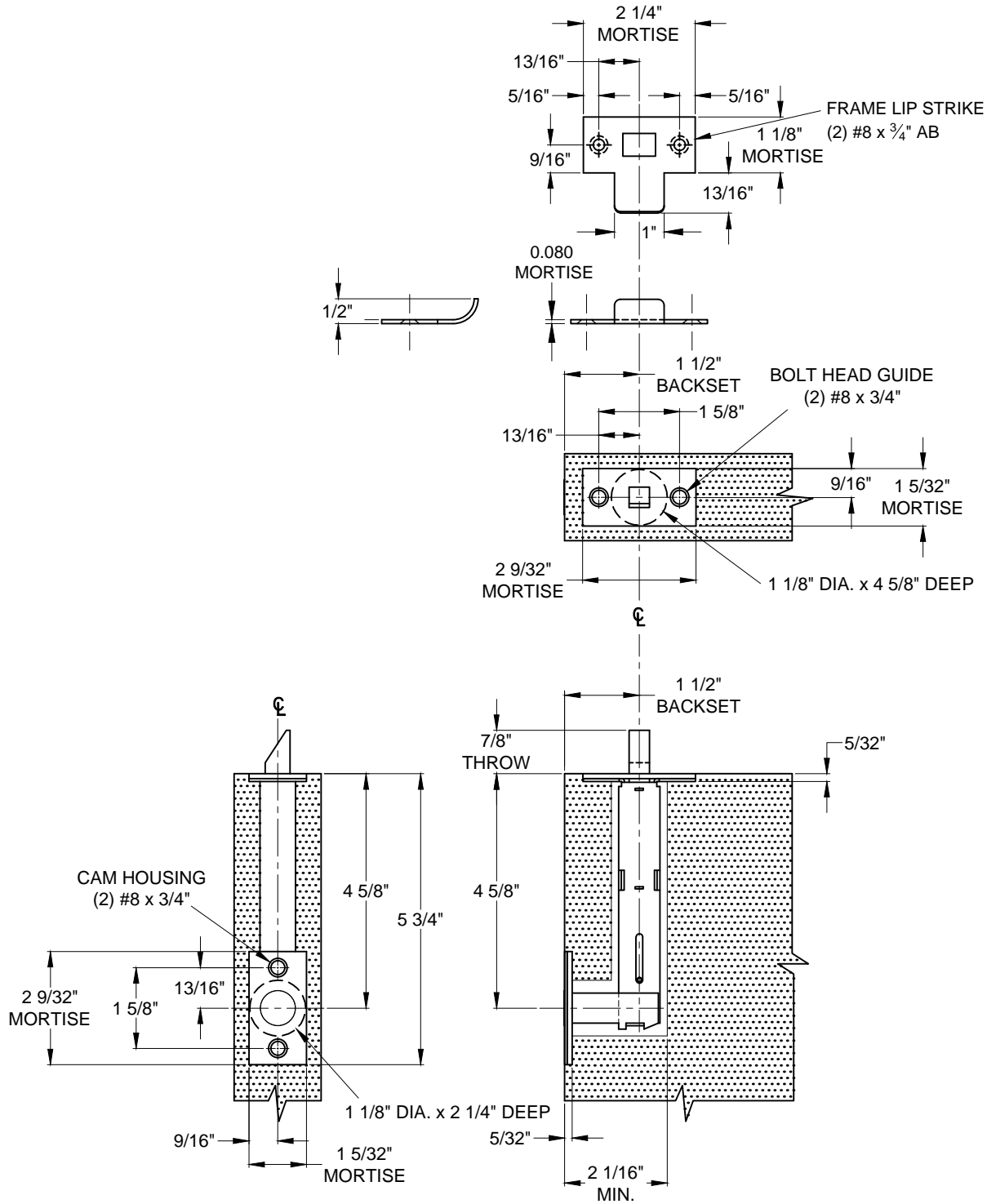


1873S CONSTANT LATCHING FLUSH BOLT TOP BOLT ONLY, WOOD & METAL DOOR APPLICATION



SCREW DETAILS:

#8 - 32 x 3/4" AB - UNDERCUT FLAT COUNTERSUNK HEAD, DUAL PURPOSE MACHINE/TAPPING SCREW, TOTAL 6 PCS.



www.abhmfg.com
E-mail: abhinfo@abhmfg.com
Architectural Builders Hardware Mfg., Inc.
1222 Ardmore Ave., Itasca, IL 60143
630.875.9900; FAX 800.9FAXABH (932.9224)

©2017 ABH Mfg., Inc.
printed in USA

1873S-00.DWG

1873S

PAGE 1 OF 1
ISSUED 04-17-17