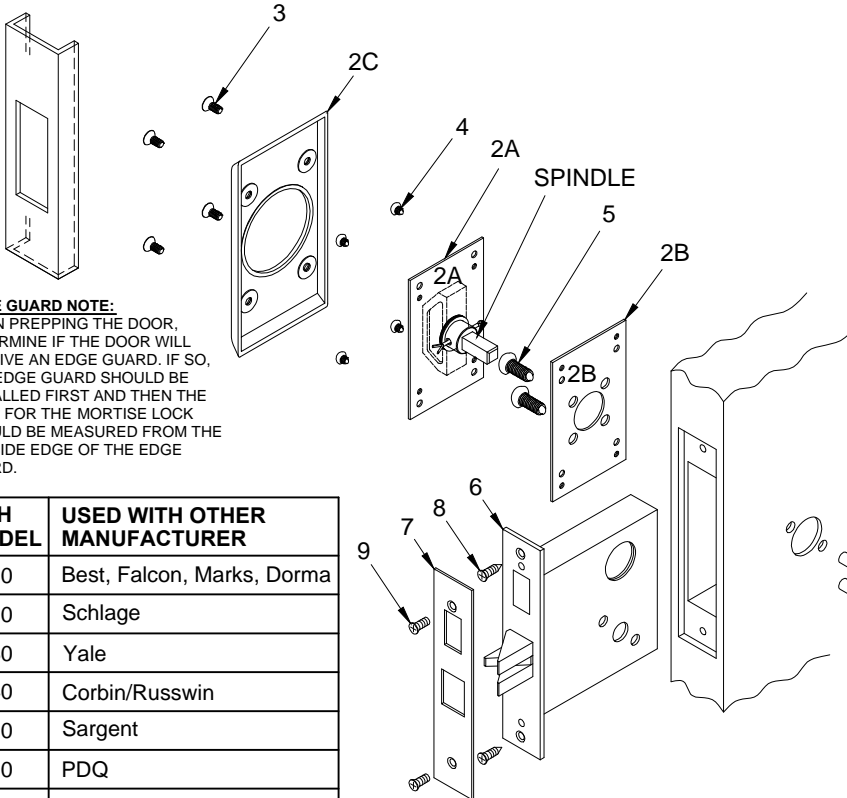


6700-C-AB SERIES, ASYLUM TRIM ROUND KNOB INSTALLATION FOR MORTISE LOCK

NOTES

1. TRIM MUST BE MOUNTED VERTICALLY.
2. VISION LITE MUST BE AT LEAST 6" FROM CENTERLINE OF TRIM.
3. PREP DOOR PER OTHER MANUFACTURER'S MORTISE LOCK TEMPLATE.
4. MORTISE LOCK NOT PROVIDED.

ITEM	QTY	PART DESCRIPTION
1A	1	"C" ASYLUM TRIM ASSEMBLY
2A	1	"C" ASYLUM TRIM ASSEMBLY
2B	1	ADAPTER PLATE
2C	1	ASYLUM COVER
3	8	8-32 x 1/4 PIN TORX FLAT HD. M.S.
4	8	8-32 x 3/16 PHIL. FLAT HD. M.S.
5	2	10-32 x 1/2" FHMS
6	1	MORTISE LOCK BY OTHERS
7	1	TRIM PLATE
8	2	12-24 x 3/4" PH. F.H. COM. SCW.
9	2	8-32 x 1/4" FHMS



EDGE GUARD NOTE:
WHEN PREPPING THE DOOR, DETERMINE IF THE DOOR WILL RECEIVE AN EDGE GUARD. IF SO, THE EDGE GUARD SHOULD BE INSTALLED FIRST AND THEN THE PREP FOR THE MORTISE LOCK SHOULD BE MEASURED FROM THE OUTSIDE EDGE OF THE EDGE GUARD.

ABH MODEL	USED WITH OTHER MANUFACTURER
6710	Best, Falcon, Marks, Dorma
6720	Schlage
6730	Yale
6740	Corbin/Ruswin
6750	Sargent
6760	PDQ
6770	Arrow

Brand names are trademarks or registered trademarks of their respective companies

**"C" ASYLUM HANDLES
MUST BE MOUNTED
IN THIS POSITION**



**ASYLUM TRIM ASSEMBLY
IS PRE ASSEMBLED
AT THE FACTORY**

INSTALLATION INSTRUCTIONS:

1. Prep for lock body according to mortise lock manufacturer installation. Install mortise lock (item 6) using (2) 12-24 screws (item 8). Then mount the face plate (item 7) using (2) 8-32 screws (item 9).
2. A) Place the pre-assembled asylum trim assembly 1A on the side of the door that will match the diagonal mortise lock mounting through holes.
B) Place the adapter plate 2B centered with pre-assembled asylum trim assembly 1A while inserting the (2) 10-32 screws (item 5).
C) After tightening the 10-32 screws (item 5) test lock and asylum trim assembly 1A for proper latch retraction and knob operation. If the latch does not extend / retract or if trim knob is binding, loosen 10-32 screws (item 5) and adjust alignment for proper operation and re-tighten.
D) Place the asylum trim assembly 2A on the door so that spindle engages with the mortise lock and fasten with (4) 8-32 screws (item 4). Test the knob for latch retraction. If latch does not extend loosen both 10-32 screws (item 5) to readjust alignment and re-tighten.
E) Place the asylum cover (item 2C) on the asylum trim assembly and screw together with (4) 8-32 screws (item 3).

PATENT No. 6,196,599 & 5,730,478



® www.abhmfg.com
E-mail: abhinfo@abhmfg.com
Architectural Builders Hardware Mfg., Inc.
1222 Ardmore Ave., Itasca, IL 60143
630.875.9900; FAX 800.9FAXABH (932.9224)

©2017 ABH Mfg., Inc.
printed in USA

6700-C-AB-00.DWG

6700-C-AB
PAGE 1 OF 1
ISSUED 02-03-17