

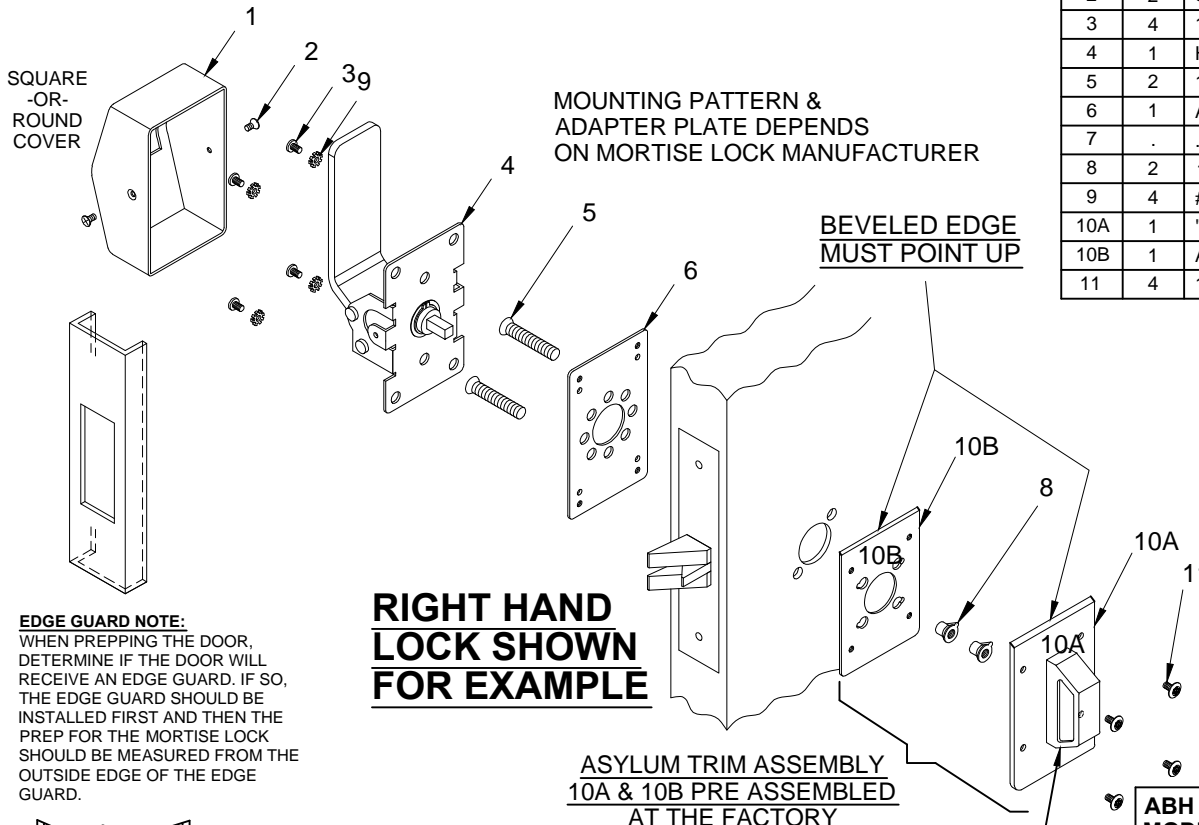
6700 "C" SERIES, ASYLUM TRIM ANGLE KNOB INSTALLATION FOR MORTISE LOCK



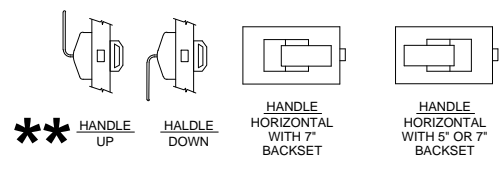
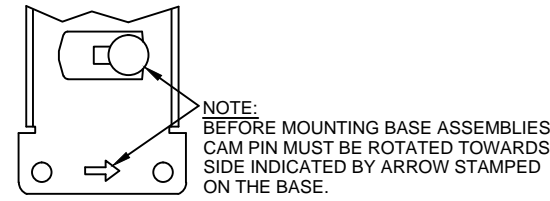
NOTES

1. TRIM CAN BE MOUNTED UP, DOWN, HORIZONTALLY. **
2. USES STANDARD MORTISE LOCK DOOR PREP.
3. MORTISE LOCK NOT PROVIDED.

ITEM	QTY	PART DESCRIPTION
1	1	COVER
2	2	8-32 x 3/8" FHMS
3	4	10-32 x 1/4" PAN HD. M.S.
4	1	HANDLE ASSY
5	2	12-24 x 1-7/8" FHMS
6	1	ADAPTER PLATE
7	.	.
8	2	12-24 LOCK NUT
9	4	#10 STAR WASHER
10A	1	"C" ASYLUM ASSEMBLY PLATE
10B	1	ADAPTER PLATE
11	4	10-32 x 1/4 TORX BUTTON HD. M.S.



EDGE GUARD NOTE:
WHEN PREPPING THE DOOR, DETERMINE IF THE DOOR WILL RECEIVE AN EDGE GUARD. IF SO, THE EDGE GUARD SHOULD BE INSTALLED FIRST AND THEN THE PREP FOR THE MORTISE LOCK SHOULD BE MEASURED FROM THE OUTSIDE EDGE OF THE EDGE GUARD.



INSTALLATION INSTRUCTIONS:

1. Prep for lock body according to mortise lock manufacturer installation.
2. A) Place the pre-assembled asylum trim assembly 10A & 10B on the appropriate side of door.
B) Then place adapter plate (item 6) on outside of door and attach with (2) 12-24 screws (item 5). Do not over tighten.
3. Assemble trim:
 - A) With trim in hand. Rotate the cam assembly until the cam pin stops on the appropriate side (see Detail "A").
 - B) Place pull side handle on pull side of the door so that spindle engages with the mortise lock and fasten with (4) 10-32 screws (item 3) with (4) star washer (item 9). Test handle ass'y (item 4) for latch retraction. If latch does not extend. Loosen both 12-24 screws (item 5) to adjust alignment.
 - C) Test lock for proper operation.
 - D) Place cover (item 1) over the trim and secure with (2) 8-32 screws (item 2) on each side.

ABH MODEL	USED WITH OTHER MANUFACTURER
A6710	Best, Falcon, Marks, Dorma
A6720	Schlage
A6730	Yale
A6740	Corbin/Ruswin
A6750	Sargent
A6760	PDQ
A6770	Arrow

Brand names are trademarks or registered trademarks of their respective companies

PATENT No. 6,196,599 & 5,730,478



www.abhmfg.com
E-mail: abhinfo@abhmfg.com
Architectural Builders Hardware Mfg., Inc.
1222 Ardmore Ave., Itasca, IL 60143
630.875.9900; FAX 800.9FAXABH (932.9224)

©2017 ABH Mfg., Inc.
printed in USA

6700-C-00.DWG
6700-C
PAGE 1 OF 1
ISSUED 02-03-17