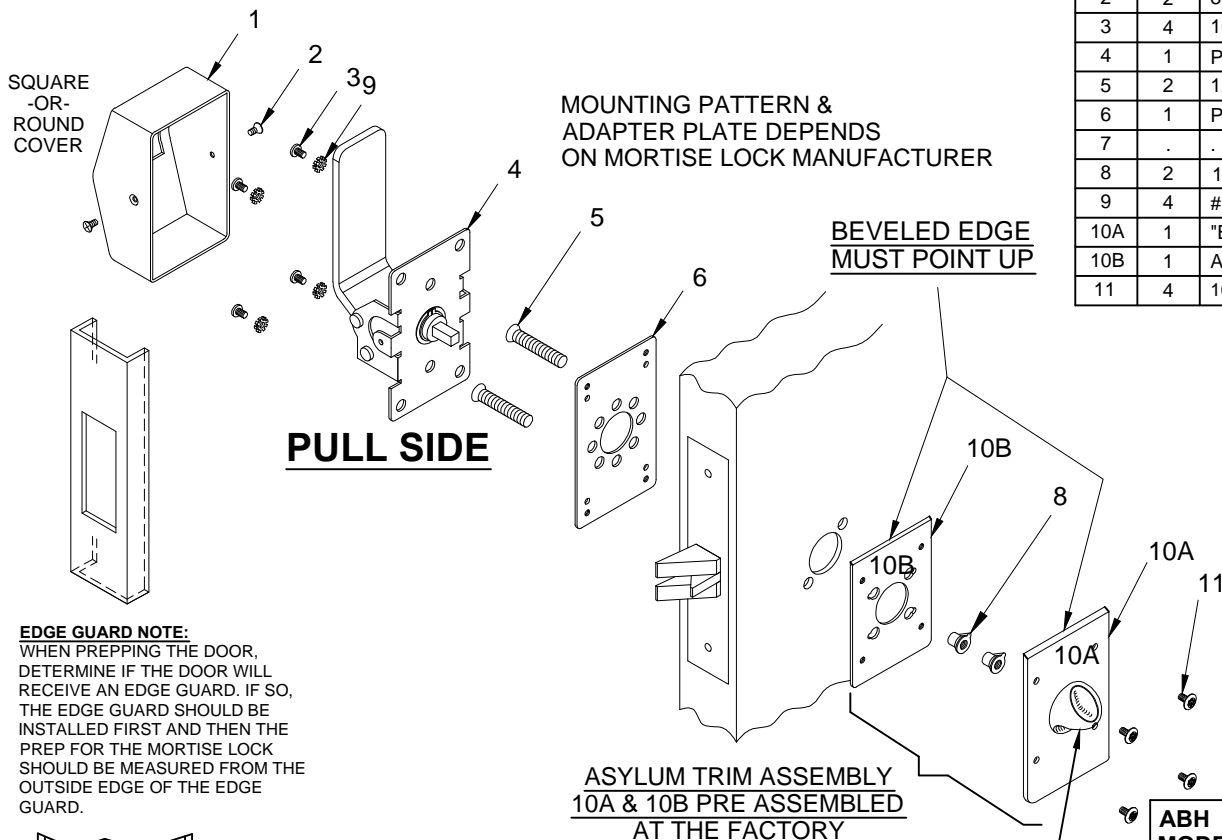


# 6700 "B" SERIES, ASYLUM TRIM ROUND KNOB INSTALLATION FOR MORTISE LOCK

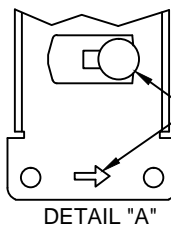
**NOTES**

1. TRIM CAN BE MOUNTED UP, DOWN, HORIZONTALLY. \*\*
2. USES STANDARD MORTISE LOCK DOOR PREP.
3. MORTISE LOCK NOT PROVIDED.

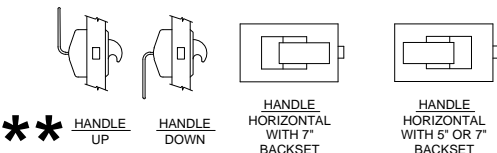
ITEM	QTY	PART DESCRIPTION
1	1	COVER
2	2	8-32 x 3/8" FHMS
3	4	10-32 x 1/4" PAN HD. M.S.
4	1	PULL SIDE HANDLE
5	2	12-24 x 1-7/8" FHMS
6	1	PULL SIDE ADAPTER PLATE
7	.	.
8	2	12-24 LOCK NUT
9	4	#10 STAR WASHER
10A	1	"B" ASYLUM ASSEMBLY PLATE
10B	1	ADAPTER PLATE
11	4	10-32 x 1/4" PIN TORX BUTTON HD. M.S.



**EDGE GUARD NOTE:**  
WHEN PREPPING THE DOOR, DETERMINE IF THE DOOR WILL RECEIVE AN EDGE GUARD. IF SO, THE EDGE GUARD SHOULD BE INSTALLED FIRST AND THEN THE PREP FOR THE MORTISE LOCK SHOULD BE MEASURED FROM THE OUTSIDE EDGE OF THE EDGE GUARD.



**NOTE:**  
BEFORE MOUNTING BASE ASSEMBLIES CAM PIN MUST BE ROTATED TOWARDS SIDE INDICATED BY ARROW STAMPED ON THE BASE.

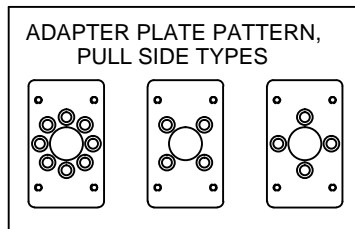


\*\* HANDLE UP HANDLE DOWN HANDLE HORIZONTAL WITH 7\"/>

ASYLUM TRIM ASSEMBLY  
10A & 10B PRE ASSEMBLED  
AT THE FACTORY

**PUSH SIDE**

**"B" ASYLUM HANDLE  
MUST BE MOUNTED  
IN THIS POSITION**



ABH MODEL	USED WITH OTHER MANUFACTURER
A6710	Best, Falcon, Marks, Dorma
A6720	Schlage
A6730	Yale
A6740	Corbin/Russwin
A6750	Sargent
A6760	PDQ
A6770	Arrow

Brand names are trademarks or registered trademarks of their respective companies

**INSTALLATION INSTRUCTIONS:**

1. Prep for lock body according to mortise lock manufacturer installation.
2. A) Place the pre-assembled asylum trim assembly 10A & 10B on the side of the door that will match the diagonal mortise lock mounting through holes.  
B) Then place pull side adapter plate (item 6) on outside of door and attach with (2) 12-24 screws (item 5). Do not over tighten.
3. Assemble trim:
  - A) With trim in hand. Rotate the cam assembly until the cam pin stops on the appropriate side (See Detail "A").
  - B) Place pull side handle on pull side of the door so that spindle engages with the mortise lock and fasten with (4) 10-32 screws (item 3) with (4) star washer (item 9). Test pull side handle (item 4) for latch retraction. If latch does not extend. Loosen both 12-24 screws (item 5) to adjust alignment.
  - C) Test lock for proper operation.
  - D) Place cover (item 1) over pull trim and secure with (2) 8-32 screws (item 2) on each side.

PATENT No. 6,196,599 & 5,730,478



www.abhmfg.com  
E-mail: abhinfo@abhmfg.com  
Architectural Builders Hardware Mfg., Inc.  
1222 Ardmore Ave., Itasca, IL 60143  
630.875.9900; FAX 800.9FAXABH (932.9224)

© 2017 ABH Mfg., Inc.  
printed in USA