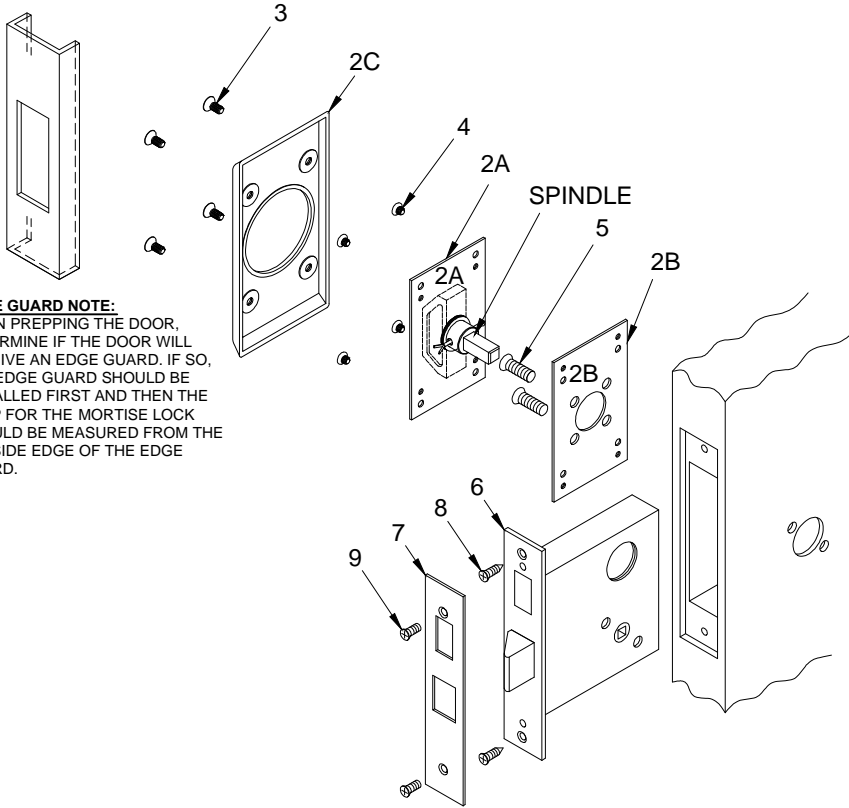


# 6600-C-AB SERIES, ASYLUM TRIM ROUND KNOB INSTALLATION FOR MORTISE LOCK

## NOTES

1. TRIM MUST BE MOUNTED VERTICALLY.
2. VISION LITE MUST BE AT LEAST 6" FROM CENTERLINE OF TRIM.
3. USES AB6600 SERIES MORTISE LOCK DOOR PREP.
4. MORTISE LOCK CYLINDER & LOCK CAM NOT PROVIDED.

ITEM	QTY	PART DESCRIPTION
1A	1	"C" ASYLUM TRIM ASSEMBLY
2A	1	"C" ASYLUM TRIM ASSEMBLY
2B	1	ADAPTER PLATE
2C	1	ASYLUM COVER
3	8	8-32 x 1/4 PIN TORX FLAT HD. M.S.
4	8	8-32 x 3/16 PHIL. FLAT HD. M.S.
5	2	10-32 x 1/2" FHMS
6	1	MORTISE LOCK
7	1	FACE PLATE
8	2	12-24 x 3/4" PH. F.H. COM. SCW.
9	2	8-32 x 1/4" PIN-IN TORX



### EDGE GUARD NOTE:

WHEN PREPPING THE DOOR, DETERMINE IF THE DOOR WILL RECEIVE AN EDGE GUARD. IF SO, THE EDGE GUARD SHOULD BE INSTALLED FIRST AND THEN THE PREP FOR THE MORTISE LOCK SHOULD BE MEASURED FROM THE OUTSIDE EDGE OF THE EDGE GUARD.

## INSTALLATION INSTRUCTIONS:

1. Prep for lockbody according to mortise lock manufacturer installation. Install mortise lock (item 6) using (2) 12-24 screws (item 8). Then mount the face plate (item 7) using (2) 8-32 screws (item 9).
2. A) Place the pre-assembled asylum trim assembly 1A on the side of the door that will match the diagonal mortise lock mounting through holes.  
B) Place the adapter plate 2B centered with pre-assembled asylum trim assembly 1A while inserting the (2) 10-32 screws (item 5).  
C) After tightening the mounting screws (item 5) test lock and asylum trim assembly 1A for proper latch retraction and knob operation. If the latch does not extend / retract or if trim knob is binding, Loosen 10-32 head screws (item 5) and adjust alignment for proper operation and re-tighten.  
D) Place the asylum trim assembly 2A on the door so that spindle engages with the mortise lock and fasten with (4) 8-32 screws (item 4). Test the knob for latch retraction. If latch does not extend loosen both 10-32 screws (item 5) to readjust alignment and re-tighten.  
E) Place the asylum cover (item 2C) on the asylum trim assembly and screw together with (4) 8-32 screws (item 3).

PATENT No. 6,196,599 & 5,730,478



www.abhmfg.com  
E-mail: abhinfo@abhmfg.com  
Architectural Builders Hardware Mfg., Inc.  
1222 Ardmore Ave., Itasca, IL 60143  
630.875.9900; FAX 800.9FAXABH (932.9224)

© 2017 ABH Mfg., Inc.  
printed in USA

6600-C-AB-1-00.DWG

6600-C-AB

PAGE 1 OF 3

ISSUED 02-03-17

# 6600-C-AB SERIES, HOLE PATTERN CHART

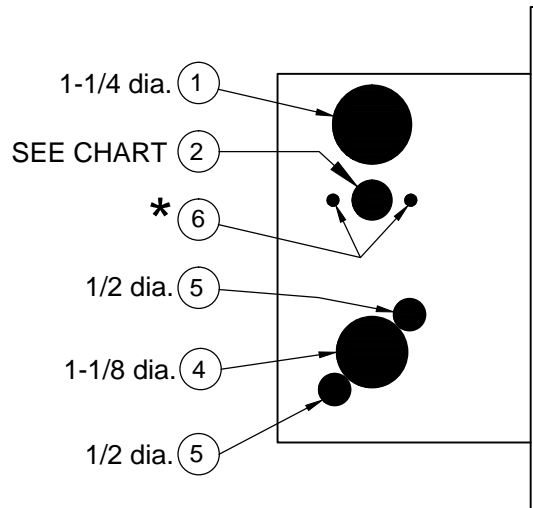
Caution: Not all holes shown below need to be drilled. Use the diagram AND the chart to determine the holes that you need to drill for your trim and function combination.

	Inside holes					Outside holes				
	①	②	④	⑤	⑥	①	②	④	⑤	⑥
	Cylinder 1-1/4" dia.	Turn knob 5/8" dia.	Trim 1-1/8" dia.	Thru-bolt 1/2" dia.(2)	Trim turn knob *(2)	Cylinder 1-1/4" dia.	Emergency Key 1/2" dia.	Trim 1-1/8" dia.	Thru-bolt 1/2" dia.(2)	Trim turn knob *(2)
Lockset function										
6641 (Asylum Lock)	■		■	■		■		■	■	

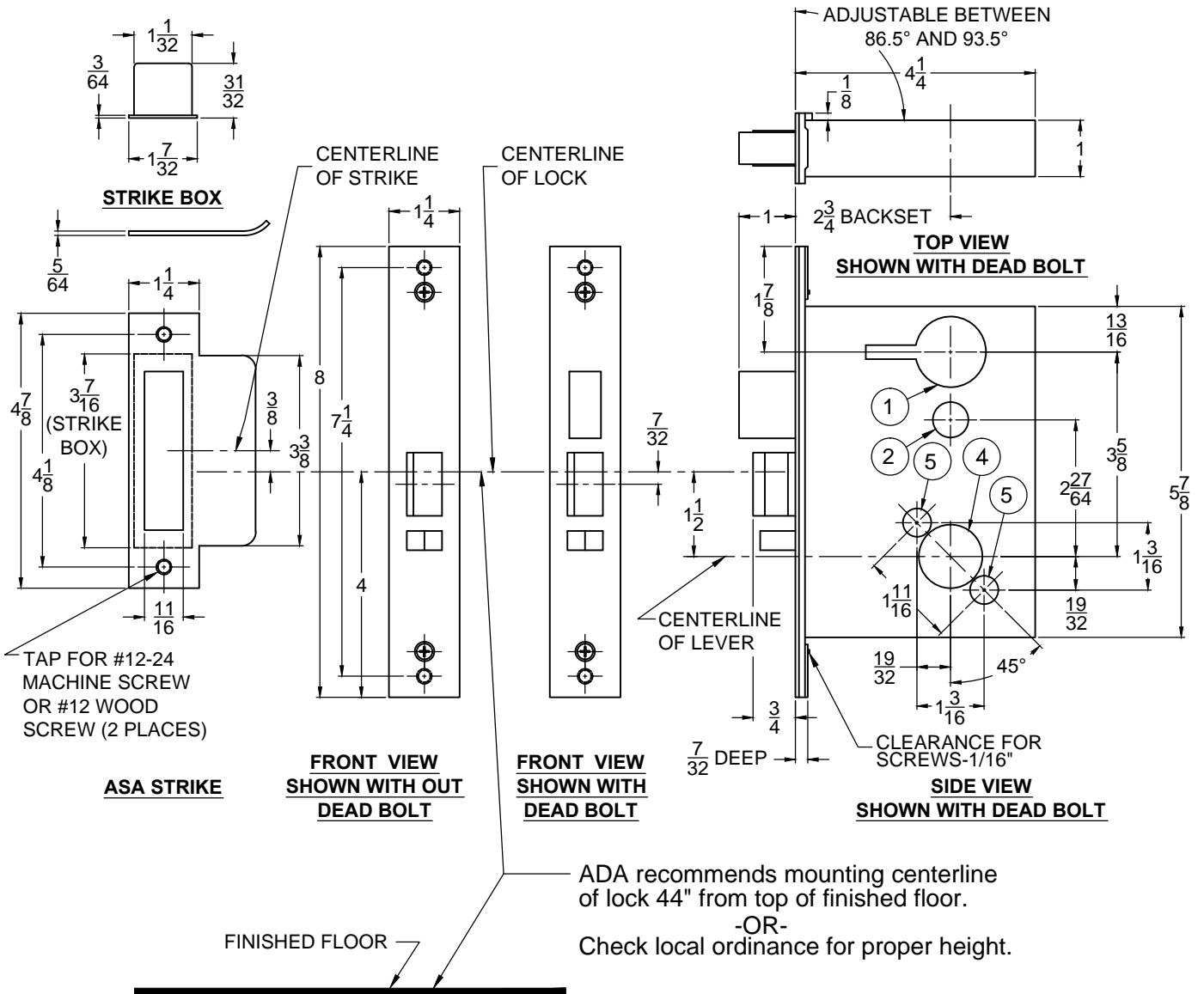
\* Determine trim holes based on trim type.

ADA recommends mounting centerline of lock 44" from top of finished floor.

-OR- Check local ordinance for proper height.



# 6600-C-AB SERIES, DOOR & FRAME PREP



**Lock case holes:**

- ① Cylinder hole-1-1/4" dia.
- ② Turn knob-5/8" dia. / Emergency key-1/2" dia.
- ④ Trim hole-1-1/8" dia.
- ⑤ Thru-bolt holes- (two required) 1/2" dia.

**Notes:**

- 1, Before drilling check the hole pattern chart.
- 2, The maximum door-to-frame gap is 3/16".
- 3, Allow 3/64" clearance for the strike box thickness.
- 4, For metal door, lock case support is required from the door manufacturer.
- 5, Tap for a #12-24 machine screw or drill for a #12 wood screw (a combination screw is supplied).



® www.abhmfg.com  
 E-mail: abhinfo@abhmfg.com  
 Architectural Builders Hardware Mfg., Inc.  
 1222 Ardmore Ave., Itasca, IL 60143  
 630.875.9900; FAX 800.9FAXABH (932.9224)

© 2016 ABH Mfg., Inc.  
 printed in USA

6600-C-AB-3-00.DWG

**6600-C-AB**  
 PAGE 3 OF 3  
 ISSUED 02-03-17