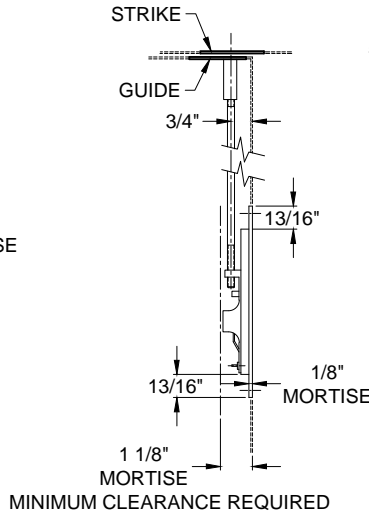
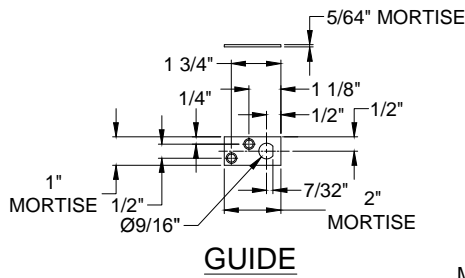
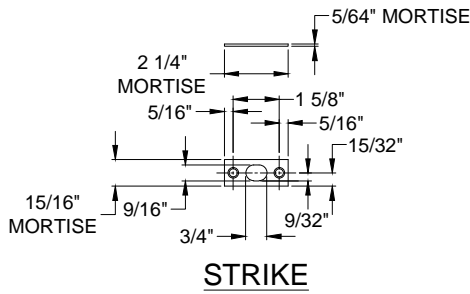
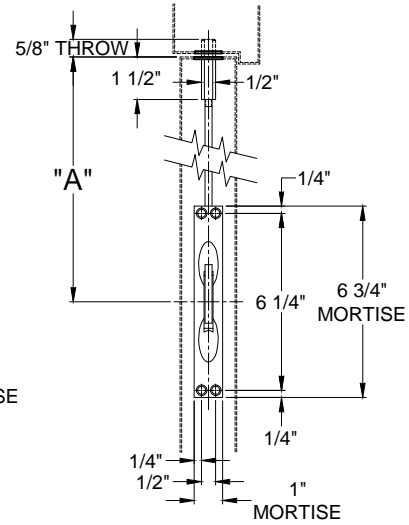


1855P MANUAL FLUSH BOLT SET TOP & BOTTOM BOLT, METAL DOOR APPLICATION



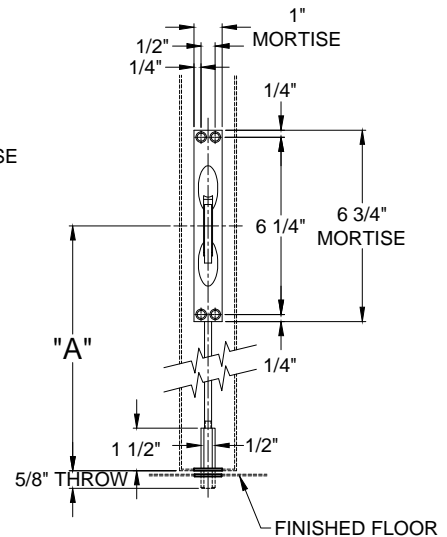
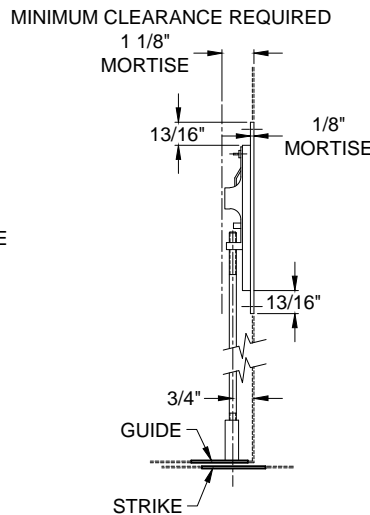
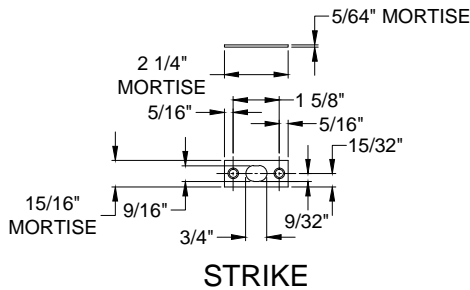
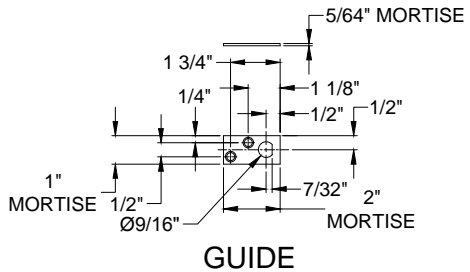
TOP BOLT SHOWN



SCREW DETAILS: BOLT HOUSING - (4) 8 - 32 x 1-1/2" F.H. COMB SCREW
 STRIKE - (2) 8-32 x 11/16" F.H. COMB SCREW
 GUIDE - (2) 8-32 x 11/16" F.H. COMB SCREW

A	SPECIFY							
	6	9	12	18	24	30	36	48

BOTTOM BOLT SHOWN



SCREW DETAILS: BOLT HOUSING - (4) 8 - 32 x 1-1/2" F.H. COMB SCREW
 STRIKE - (2) 8-32 x 11/16" F.H. COMB SCREW
 GUIDE - (2) 8-32 x 11/16" F.H. COMB SCREW

A	SPECIFY							
	6	9	12	18	24	30	36	48



www.abhmfg.com
 E-mail: abhinfo@abhmfg.com
 Architectural Builders Hardware Mfg., Inc.
 1222 Ardmore Ave., Itasca, IL 60143
 630.875.9900; FAX 800.9FAXABH (932.9224)

©2017 ABH Mfg., Inc.
 printed in USA

1855P-00.DWG

1855P

PAGE 1 OF 1
 ISSUED 01-27-17