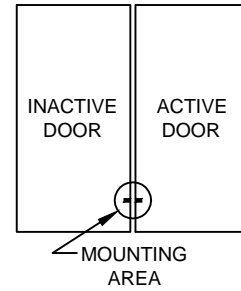
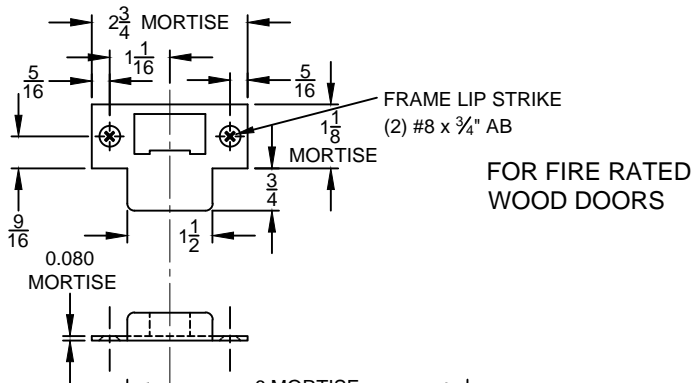
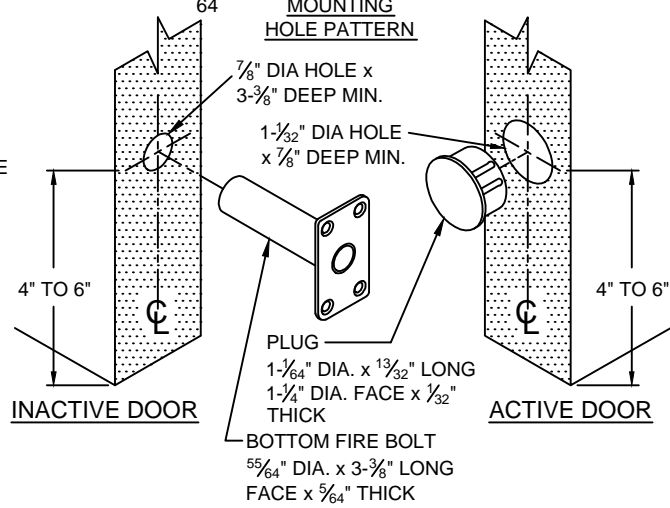
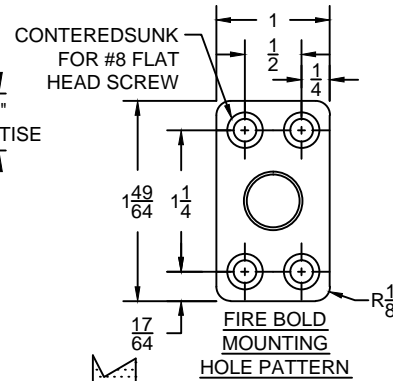
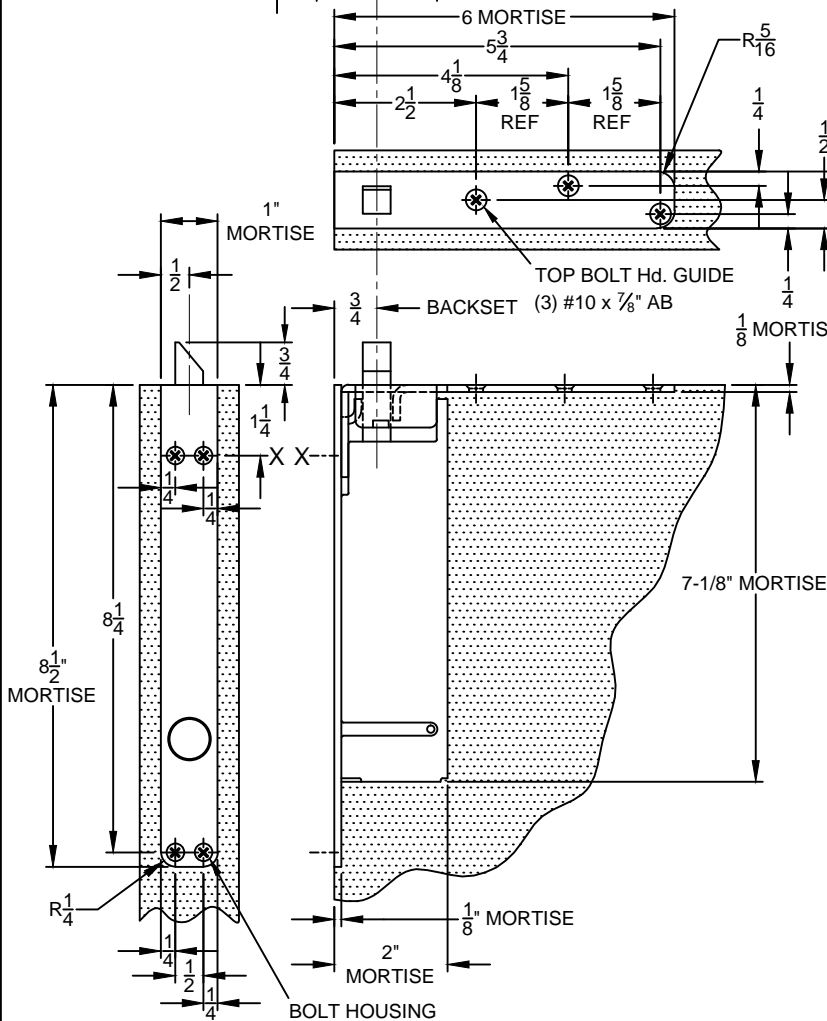


1866 CONSTANT SELF LATCHING TOP BOLT ONLY WITH BOTTOM FIRE BOLT (FOR WOOD DOOR APPLICATION)



FOR FIRE RATED
WOOD DOORS

1858 BOTTOM FIRE BOLT



**IMPORTANT: THE 1858 WILL PROJECT DURING A FIRE.
DO NOT COVER WITH ANY EDGE MOUNTED DOOR HARDWARE.**

BOLT HOUSING
(2) #8 x 3/4" AB
(2) #8-32 x 3/8" UNC (THE SHORT SCREWS ARE SEATED INTO THE HOLES OF BOLT HOUSING AS SHOWN MARKED BY AN "X" WHERE FACES THE BOLT EXTENSION ROD)

SCREW DETAILS:
#8-32 x 3/8" UNC - FLAT COUNTERSUNK HEAD MACHINE SCREW, TOTAL 2 PCS.
#8-32 x 3/4" AB - UNDERCUT FLAT COUNTERSUNK HEAD, DUAL PURPOSE MACHINE/TAPPING SCREW, TOTAL 8 PCS.
#10 x 7/8" AB - FLAT COUNTERSUNK HEAD TAPPING SCREW, TOTAL 3 PCS.



www.abhmfg.com
E-mail: abhinfo@abhmfg.com
Architectural Builders Hardware Mfg., Inc.
1222 Ardmore Ave., Itasca, IL 60143
630.875.9900; FAX 800.9FAXABH (932.9224)

©2016 ABH Mfg., Inc.
printed in USA

1866

PAGE 1 OF 1
ISSUED 06-17-16

1866-00.DWG