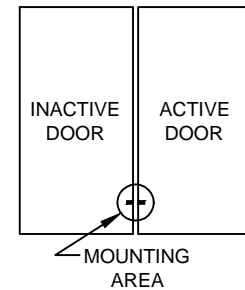
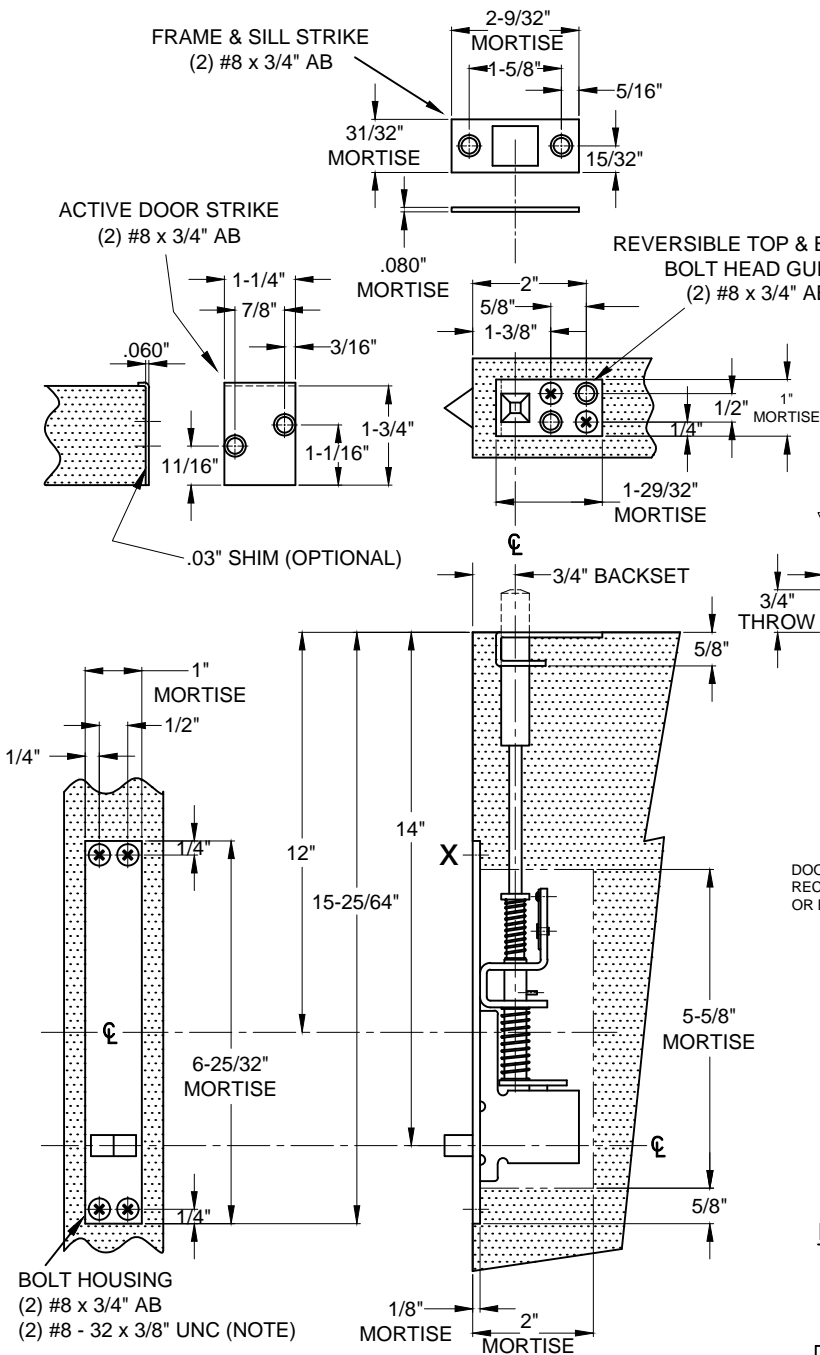
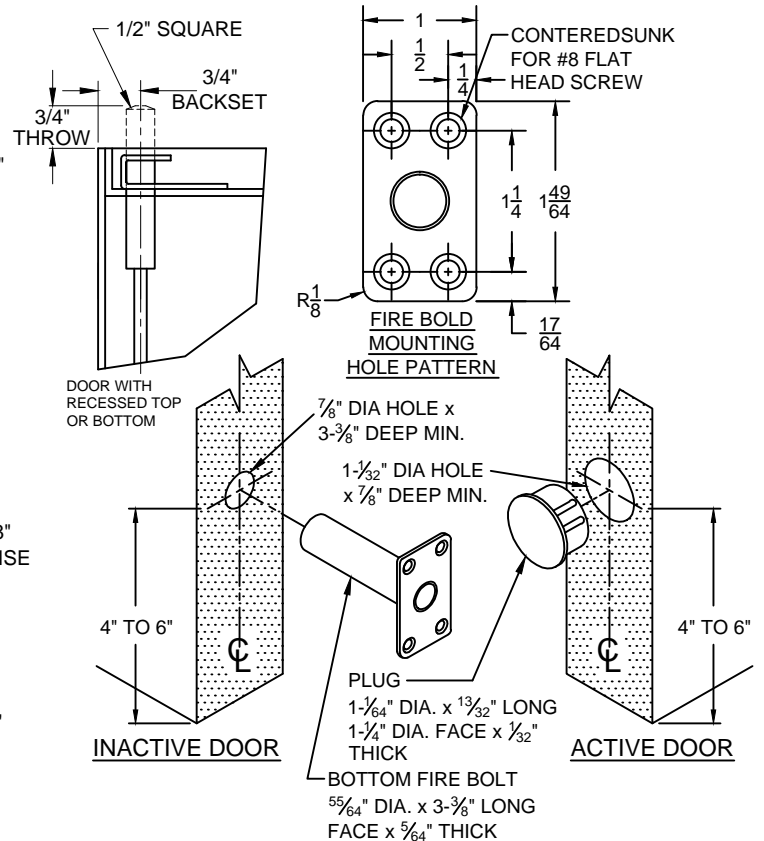


1867 AUTOMATIC FLUSH BOLT, TOP BOLT ONLY WITH BOTTOM FIRE BOLT (FOR METAL DOOR APPLICATION)



1858 BOTTOM FIRE BOLT



NOTE:
THE SHORT SCREWS ARE SEATED INTO THE HOLES OF THE BOLT HOUSING AS SHOWN MARKED "X", WHERE FACES THE BOLT EXTENSION ROD.

SCREW DETAILS:

- #8 - 32 x 3/8" UNC - FLAT COUNTERSUNK HEAD MACHINE SCREW, TOTAL 2 PCS.
- #8 - 32 x 3/4" AB - UNDERCUT FLAT COUNTERSUNK HEAD, DUAL PURPOSE MACHINE/TAPPING SCREW, TOTAL 12 PCS.

IMPORTANT: THE 1858 WILL PROJECT DURING A FIRE. DO NOT COVER WITH ANY EDGE MOUNTED DOOR HARDWARE.



www.abhmfg.com
E-mail: abhinfo@abhmfg.com
Architectural Builders Hardware Mfg., Inc.
1222 Ardmore Ave., Itasca, IL 60143
630.875.9900; FAX 800.9FAXABH (932.9224)

©2016 ABH Mfg., Inc.
printed in USA

1867-00.DWG

1867

PAGE 1 OF 1
ISSUED 06-17-16