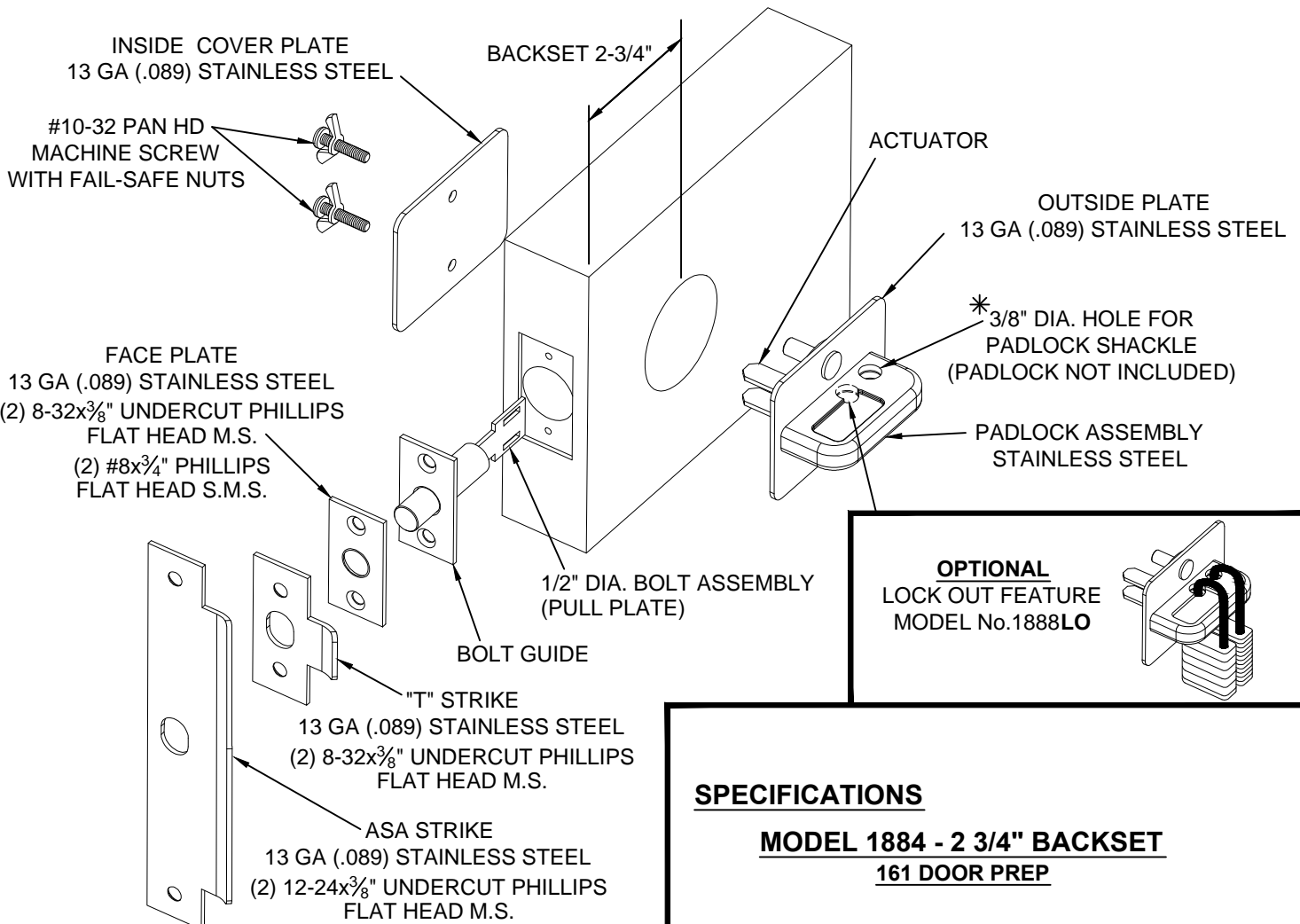


1884 SLIDEBOLT PADLOCK LATCH

FOR 161 PREP

PATENT PENDING



INSTALLATION:

1. PREP THE DOOR ACCORDING TO YOUR MODEL ORDERED.
2. INSERT THE BOLT ASSEMBLY INTO THE BOLT GUIDE AND PLACE THE FACE PLATE ONTO BOLT GUIDE AND SCREW THE ASSEMBLY TO THE DOOR USING THE PROPER SCREW FOR THE APPLICATION.
3. PLACE THE PADLOCK ASSEMBLY ON THE CORRECT SIDE OF THE DOOR MAKING SURE THE ACTUATOR GOES THRU THE SQUARE HOLES THAT ARE ON THE BOLT ASSEMBLY.
*PADLOCK ASSEMBLY MUST BE INSTALLED WITH 3/8" HOLE ON OPPOSITE SIDE OF LATCH (AS SHOWN IN PICTURE)
4. PLACE THE INSIDE COVER PLATE ON THE OPPOSITE SIDE OF THE DOOR AND SCREW TOGETHER WITH THE 10-32 SCREWS WITH FAIL-SAFE NUT. CHECK FOR PROPER OPERATION BEFORE TIGHTING THE SCREWS.

SPECIFICATIONS

MODEL 1884 - 2 3/4" BACKSET 161 DOOR PREP

1/2" DIA. STAINLESS STEEL BOLT W/ 5/8" THROW.

PADLOCK ASSEMBLY: STAINLESS STEEL CASTING WITH NYLON INSTALLATION GUIDE.

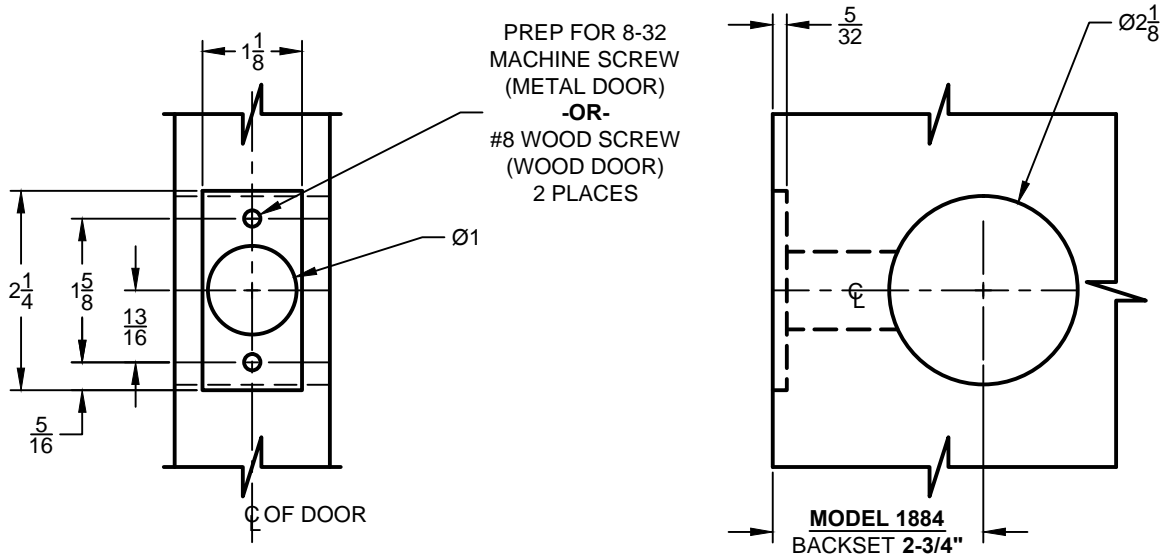
INSIDE COVER PLATE: STAINLESS STEEL.

HANDING: REVERSIBLE/NON-HANDED.

STRIKE: 13 GAUGE (.089) STAINLESS STEEL
4-7/8" ASA OR 2-3/4" T STRIKE.

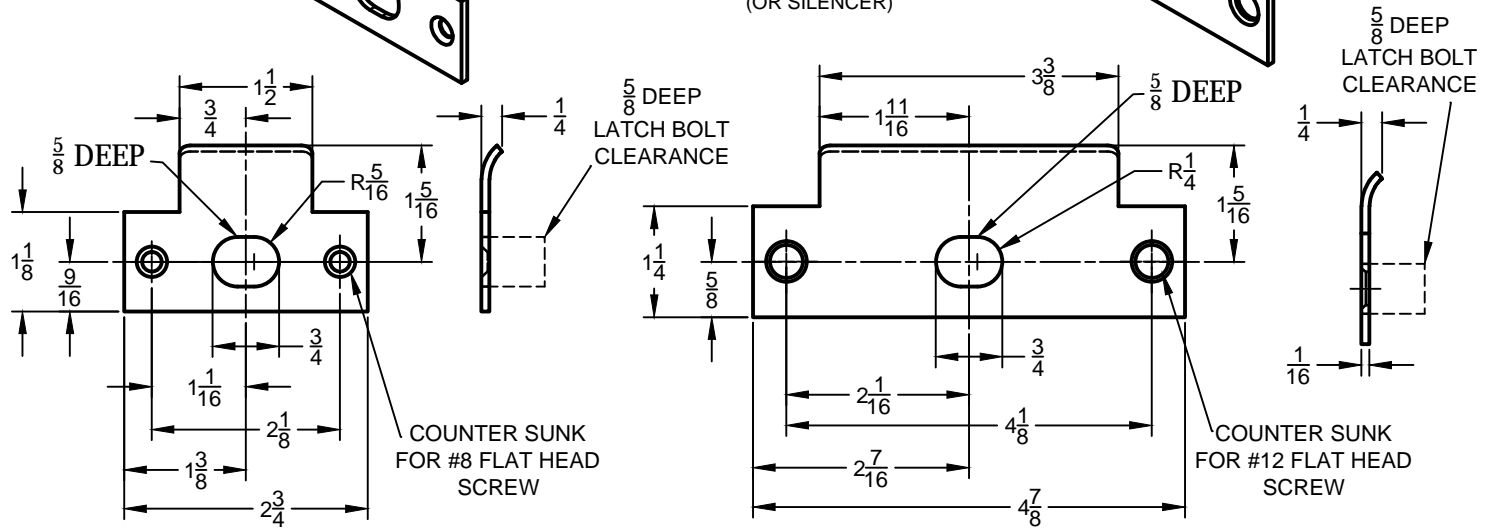
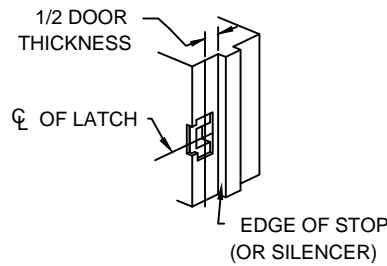
PLEASE SPECIFY 1-3/8" THICK DOOR OR 1-3/4" THICK DOOR WHEN ORDERING

1884 SLIDEBOLT PADLOCK LATCH FOR 161 PREP



FRAME PREP

1. Mark centerline of latch bolt on frame.
2. Center strike and mark screw positions.
3. Mortise to required strike and box depth.



1884 SLIDEBOLT INSTALLATION-2-00.DWG



www.abhmfg.com

E-mail: abhinfo@abhmfg.com

Architectural Builders Hardware Mfg., Inc.

1222 Ardmore Ave., Itasca, IL 60143

630.875.9900; FAX 800.9FAXABH (932.9224)

©2013 ABH Mfg., Inc.
printed in USA

1884

PAGE 2 OF 2
ISSUED 7-29-13