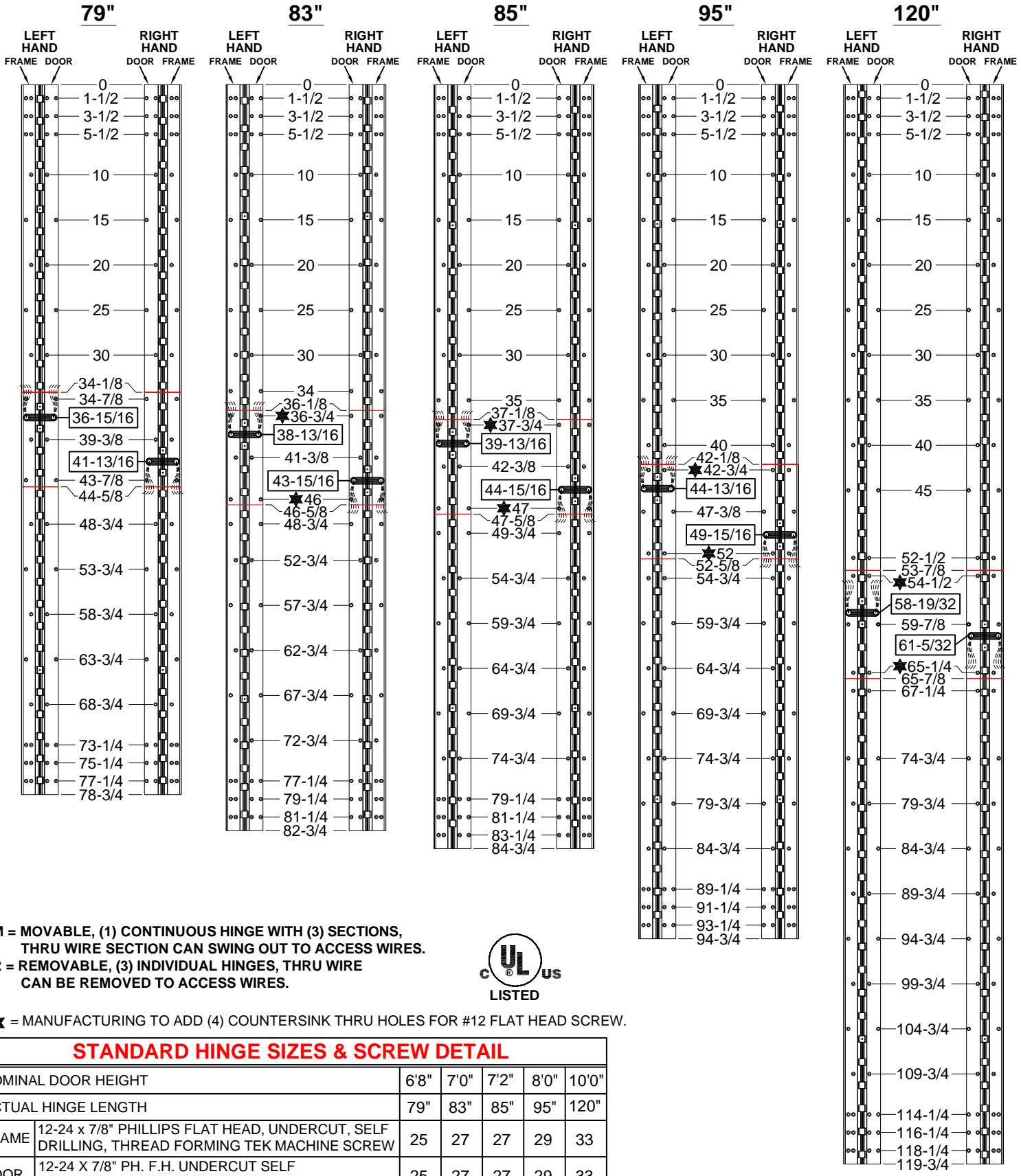


A160HD - "M" MOVABLE or "R" REMOVABLE OPTION, FOR ELECTRICAL MODIFICATION



M = MOVABLE, (1) CONTINUOUS HINGE WITH (3) SECTIONS, THRU WIRE SECTION CAN SWING OUT TO ACCESS WIRES.
R = REMOVABLE, (3) INDIVIDUAL HINGES, THRU WIRE CAN BE REMOVED TO ACCESS WIRES.



★ = MANUFACTURING TO ADD (4) COUNTERSINK THRU HOLES FOR #12 FLAT HEAD SCREW.

STANDARD HINGE SIZES & SCREW DETAIL

NOMINAL DOOR HEIGHT	6'8"	7'0"	7'2"	8'0"	10'0"
ACTUAL HINGE LENGTH	79"	83"	85"	95"	120"
FRAME	12-24 x 7/8" PHILLIPS FLAT HEAD, UNDERCUT, SELF DRILLING, THREAD FORMING TEK MACHINE SCREW				
DOOR	12-24 X 7/8" PH. F.H. UNDERCUT SELF DRILLING THREAD FORMING TEK SCREW				
	25	27	27	29	33
	25	27	27	29	33



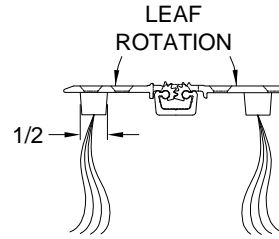
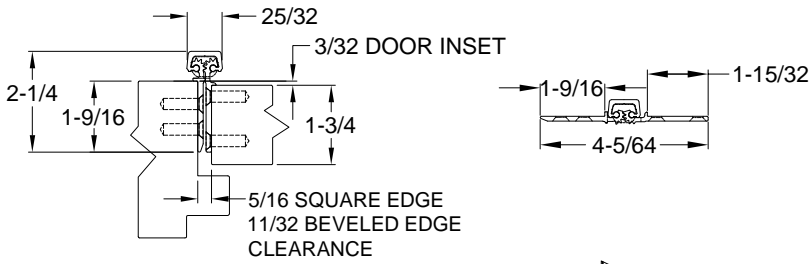
www.abhmfg.com
 E-mail: abhinfo@abhmfg.com
 Architectural Builders Hardware Mfg., Inc.
 1222 Ardmore Ave., Itasca, IL 60143
 630.875.9900; FAX 800.9FAXABH (932.9224)

A160HD-M or R OPTION, FOR ELECTRICAL MODIFICATION -1-00.DWG

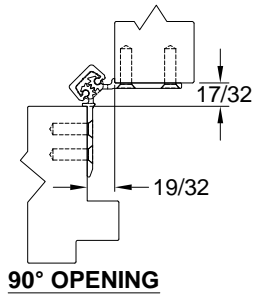
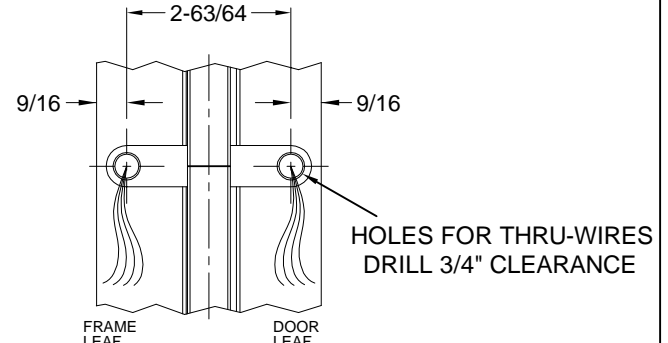
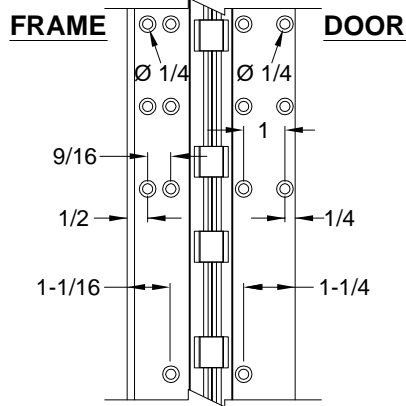
A160HD - "M" or "R" OPTION FOR ELECTRICAL MODIFICATION

©2016 ABH Mfg., Inc. printed in USA

A160HD - "M" MOVABLE or "R" REMOVABLE OPTION, FOR ELECTRICAL MODIFICATION

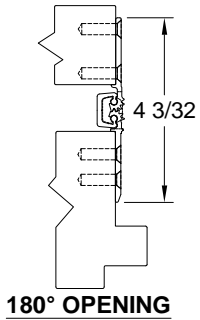


CLOSED POSITION

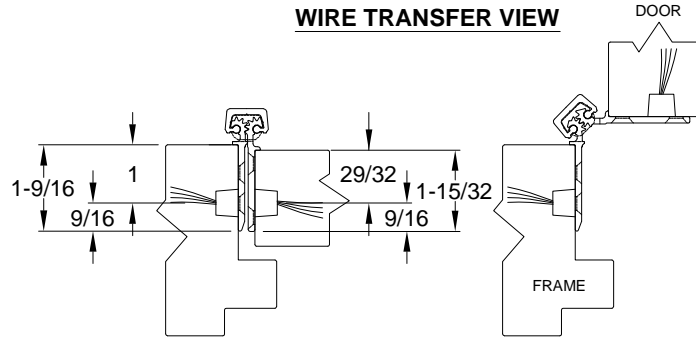


90° OPENING

WIRE TRANSFER VIEW



180° OPENING



WIRE TRANSFER VIEW

NOTES:

1. HINGES CUT TO CUSTOM LENGTH ARE CUT FROM BOTTOM OF HINGE.
2. SPECIFY HANDING WHEN ORDERING.
3. SPECIFY WIRE CONFIGURATION WHEN ORDERING, TEMPLATE REMAINS THE SAME.

● TW4	● EZ4 *
● TW8	● EZ8 *
● TW12	● EZ12 *
- * SPECIFY ELECTRIFIED HARDWARE MANUFACTURER FOR CONNECTOR COMPATIBILITY
4. 30 AWG WIRES, APPROX. 4" LONG PER SIDE, RATED 2 AMP CONTINUOUS LOW VOLTAGE

EZ CONNECT OPTION

