

SCRM4590

Special Double-Lipped Strike & Rescue Stop Combo 1/8" Inset for Mortise Lock (No Dead Bolt)

The sizing chart on the right lists custom layout numbers for all frame sizes from 5-1/4" to 9" for:

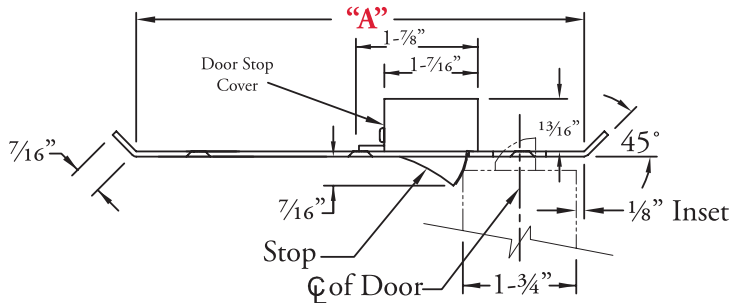
- 1/8" inset door
- Mortise lock application (no dead bolt)

ABH has the capability to custom manufacture thousands of different custom double-lipped strike and rescue stop combos to fit nearly every application.

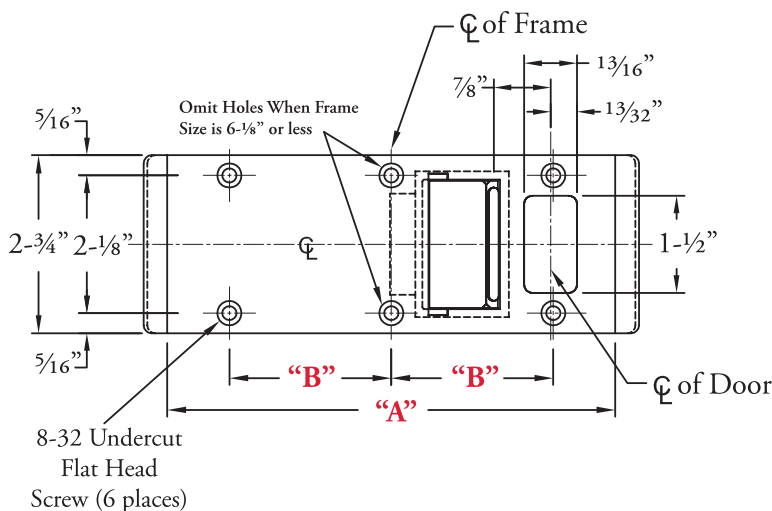
Please contact us if you need to match existing preps or if additional customizations are required and we will gladly assist.

| How to Order | | | |
|--------------------------------------|--------|----------------------|----------|
| Example SCRM4590 x US32D x SP-CR1100 | | | |
| Part Number | Finish | Custom Layout Number | Quantity |
| SCRM4590 | | | |
| SCRM4590 | | | |

Top View



Front View



| Custom Layout Number | Frame Size | Center to Center Mounting Holes |
|----------------------|------------|---------------------------------|
| | "A" | "B" |
| SP-CR1100 | 5-1/4" | 2-3/8" |
| SP-CR1101 | 5-3/8" | 2-3/8" |
| SP-CR1102 | 5-1/2" | 2-3/8" |
| SP-CR1103 | 5-5/8" | 2-3/8" |
| SP-CR1104 | 5-3/4" | 2-3/8" |
| SP-CR1105 | 5-7/8" | 2-3/8" |
| SP-CR1106 | 6" | 2-3/8" |
| SP-CR1107 | 6-1/8" | 2-3/8" |
| SP-CR1108 | 6-1/4" | 2-3/8" |
| SP-CR1109 | 6-3/8" | 2-3/8" |
| SP-CR1110 | 6-1/2" | 2-3/8" |
| SP-CR1111 | 6-5/8" | 2-3/8" |
| SP-CR1112 | 6-3/4" | 2-3/8" |
| SP-CR1113 | 6-7/8" | 2-3/8" |
| SP-CR1114 | 7" | 2-3/8" |
| SP-CR1115 | 7-1/8" | 2-3/8" |
| SP-CR1116 | 7-1/4" | 2-3/8" |
| SP-CR1117 | 7-3/8" | 2-3/8" |
| SP-CR1118 | 7-1/2" | 2-3/8" |
| SP-CR1119 | 7-5/8" | 3-3/8" |
| SP-CR1120 | 7-3/4" | 3-3/8" |
| SP-CR1121 | 7-7/8" | 3-3/8" |
| SP-CR1122 | 8" | 3-3/8" |
| SP-CR1123 | 8-1/8" | 3-3/8" |
| SP-CR1124 | 8-1/4" | 3-3/8" |
| SP-CR1125 | 8-3/8" | 3-3/8" |
| SP-CR1126 | 8-1/2" | 3-3/8" |
| SP-CR1127 | 8-5/8" | 3-3/8" |
| SP-CR1128 | 8-3/4" | 3-3/8" |
| SP-CR1129 | 8-7/8" | 3-3/8" |
| SP-CR1130 | 9" | 3-3/8" |

