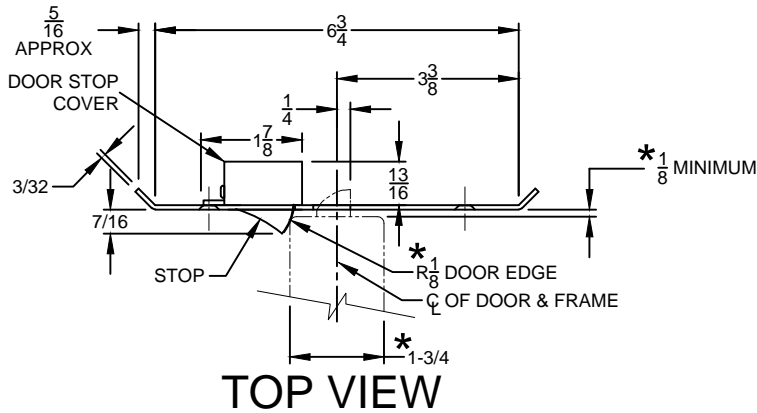
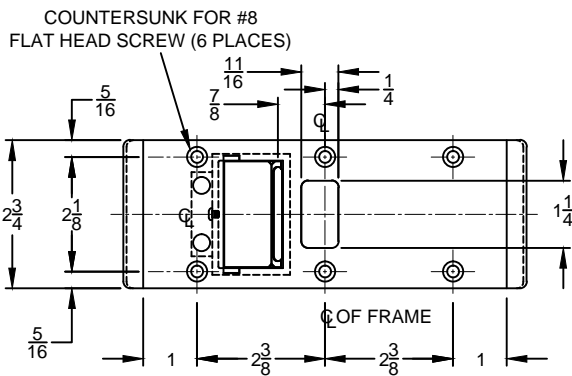
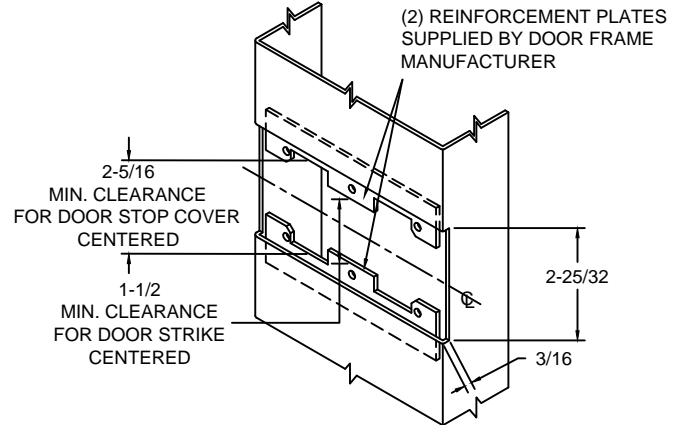


**CR4592, 6-3/4" DOUBLE LIPPED STRIKE AND RESCUE DOOR STOP  
FOR 1-3/4" CENTER HUNG DOOR**



STOP IS SPRING LOADED  
MAKING PART NON-HANDED  
BUT INSTALLATION IS  
STILL HANDED



**SIDE VIEW**

**NOTE:**

1. HORIZONTAL CENTERLINE OF PLATE TO MATCH HORIZONTAL CENTERLINE OF CUTOUT.
2. SCREWS- 8-32 X 3/8" UNDERCUT F.H.M.S.
3. R.H. DOOR SHOWN, L.H. OPPOSITE
4. DO NOT SCALE DRAWING.
5. FOR CUSTOM RESCUE DOOR STOP CONSULT FACTORY.

**REINFORCEMENT:**

WHEN INSTALLING IN METAL FRAME, REINFORCEMENT IS **NEEDED** WITH THIS PRODUCT, CUSTOMER OR MANUFACTURER TO SUPPLY FRAME REINFORCEMENT WITH LATCH BOLT CLEARANCE.

ABH CR4592 RESCUE STOP IS DESIGNED FOR USE WITH CYLINDRICAL BORED LOCKS SETS AND MAY NOT WORK PROPERLY WITH SOME MORTISE LOCKS OR MORTISE LOCKS WITH THE DEAD LATCH. CONSULT FACTORY FOR MORTISE LOCK APPLICATIONS.

\* = CRITICAL DIMENSION MUST BE FOLLOWED



® [www.abhmfg.com](http://www.abhmfg.com)  
E-mail: [abhinfo@abhmfg.com](mailto:abhinfo@abhmfg.com)  
Architectural Builders Hardware Mfg., Inc.  
1222 Ardmore Ave., Itasca, IL 60143  
630.875.9900; FAX 800.9FAXABH (932.9224)

©2009 ABH Mfg., Inc.  
printed in USA

**CR4592**

PAGE 1 OF 1  
REVISED 03-09-09