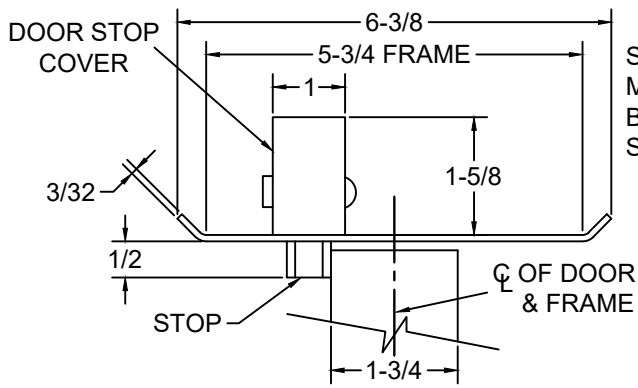
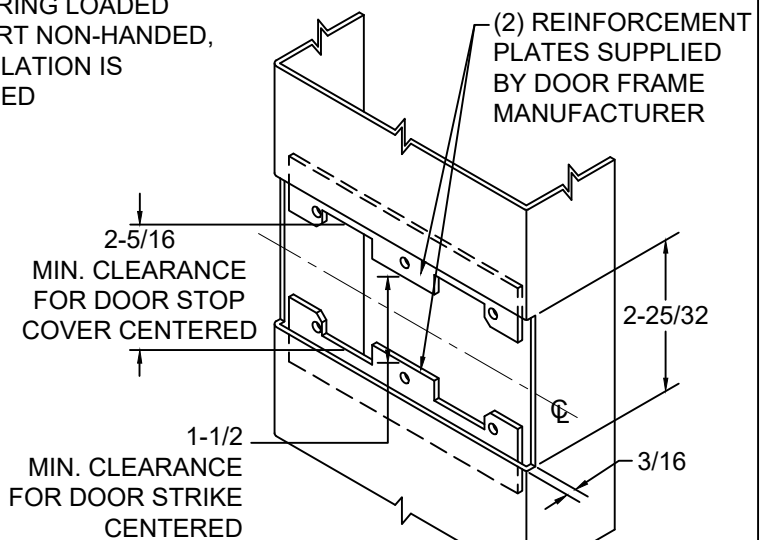


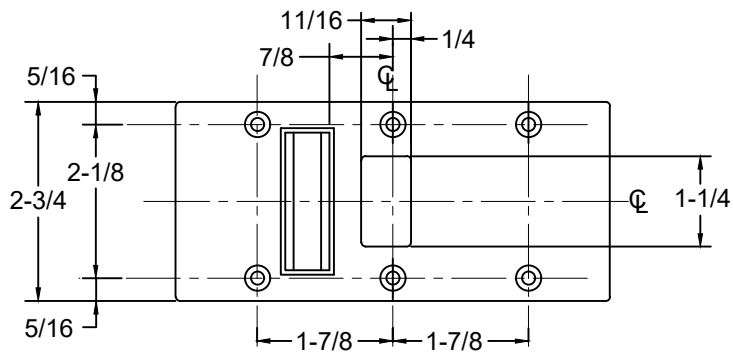
# CR4550 DOUBLE LIPPED STRIKE & RESCUE STOP COMBO FOR 1-3/4" CENTER HUNG DOOR, CYLINDRICAL LATCH, 5-3/4" FRAME



STOP IS SPRING LOADED  
MAKING PART NON-HANDED,  
BUT INSTALLATION IS  
STILL HANDED



**CUT-OUT FOR  
METAL JAMB**



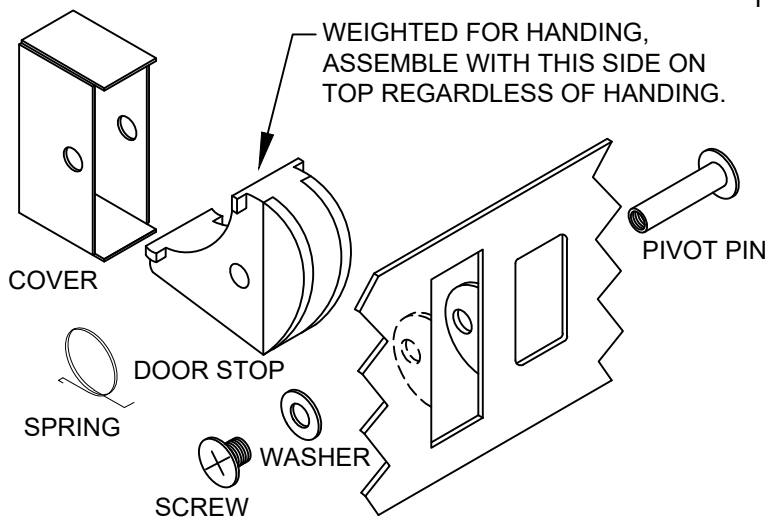
**HOLD BACK CONVERSION** IS ACCOMPLISHED BY REMOVING THE SPRING THAT ACTIVATES THE DOOR STOP INSIDE THE COVER.

## DISASSEMBLE FOR HOLD BACK

1. REMOVE SCREW & PIVOT PIN THAT HOLDS THE DOOR STOP COVER ON SO THE ENTIRE ASSEMBLY WILL COME APART.
2. REMOVE THE SPRING.

## REASSEMBLE FOR HOLD BACK

1. BEFORE ASSEMBLING THE RESCUE STOP BACK TOGETHER, NOTE DOOR HANDING. THE DOOR STOP WORKS BY GRAVITY AND BECOMES HANDED WHEN THE SPRING IS REMOVED.
2. STOP **HAS** TO BE INSTALLED AS SHOWN WITH HEAVY PART AT BOTTOM REGARDLESS OF HANDING.



## NOTES:

1. HORIZONTAL CENTERLINE OF PLATE TO MATCH HORIZONTAL CENTERLINE OF CUT OUT.
2. SCREWS : 8-32 X 3/8" UNDERCUT F.H.M.S.
3. RIGHT HAND DOOR SHOWN (RESCUE STOP NON-HANDED).
4. DO NOT SCALE DRAWING.
5. WHEN INSTALLING IN METAL FRAME, REINFORCEMENT IS **NEEDED** WITH THIS PRODUCT. ABH DOES NOT SUPPLY REINFORCEMENT.

**ABH**  
MANUFACTURING INC.

www.abhmfg.com  
E-mail: abhinfo@abhmfg.com  
Architectural Builders Hardware Mfg., Inc.  
1222 Ardmore Ave., Itasca, IL 60143  
630.875.9900; FAX 800.9FAXABH (932.9224)

© 2020 ABH Mfg., Inc.  
printed in USA

CR4550

PAGE 1 OF 1  
REVISED 09-24-20

CR4550-03.DWG