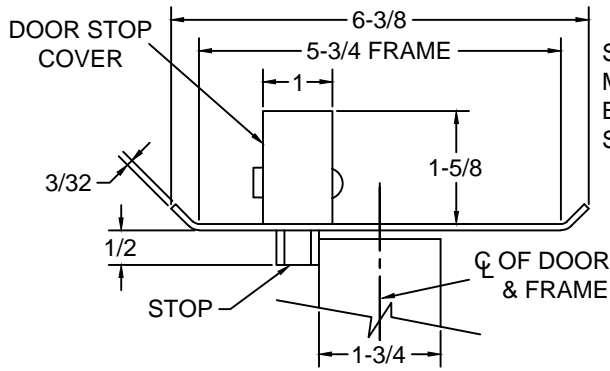
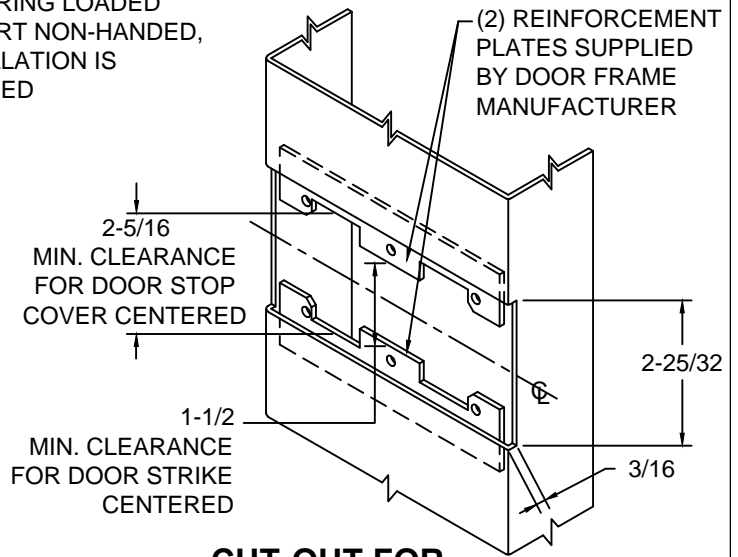


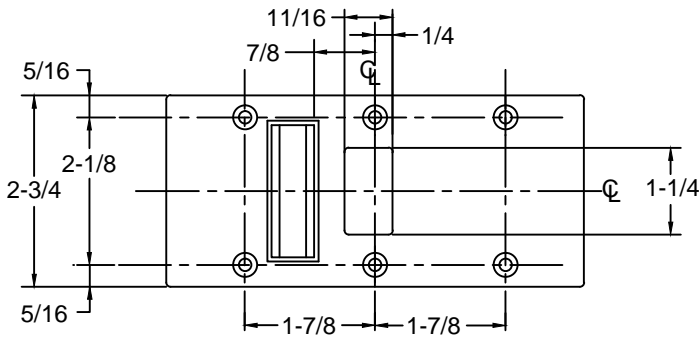
CR4550 DOUBLE LIPPED STRIKE & RESCUE STOP COMBO FOR 1-3/4" CENTER HUNG DOOR, CYLINDRICAL LATCH, 5-3/4" FRAME



STOP IS SPRING LOADED MAKING PART NON-HANDED, BUT INSTALLATION IS STILL HANDED



CUT-OUT FOR METAL JAMB



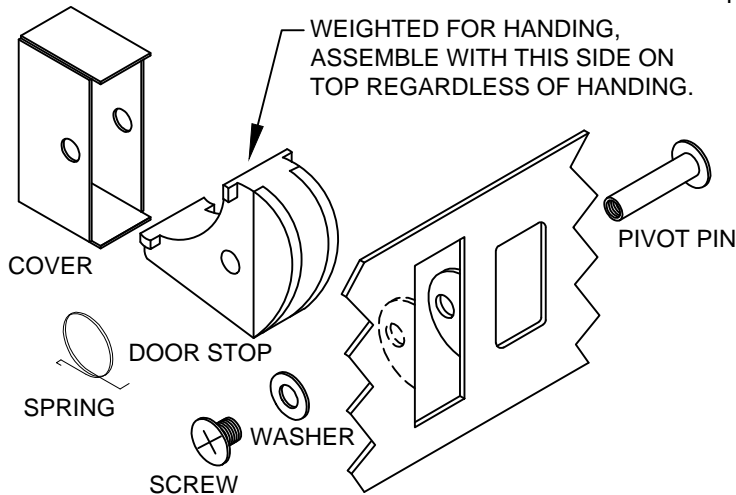
HOLD BACK CONVERSION IS ACCOMPLISHED BY REMOVING THE SPRING THAT ACTIVATES THE DOOR STOP INSIDE THE COVER.

DISASSEMBLE FOR HOLD BACK

1. REMOVE SCREW & PIVOT PIN THAT HOLDS THE DOOR STOP COVER ON SO THE ENTIRE ASSEMBLY WILL COME APART.
2. REMOVE THE SPRING.

REASSEMBLE FOR HOLD BACK

1. BEFORE ASSEMBLING THE RESCUE STOP BACK TOGETHER, NOTE DOOR HANDING. THE DOOR STOP WORKS BY GRAVITY AND BECOMES HANDED WHEN THE SPRING IS REMOVED.
2. STOP **HAS** TO BE INSTALLED AS SHOWN WITH HEAVY PART AT BOTTOM REGARDLESS OF HANDING.



NOTES:

1. HORIZONTAL CENTERLINE OF PLATE TO MATCH HORIZONTAL CENTERLINE OF CUT OUT.
2. SCREWS : 8-32 X 3/8" UNDERCUT F.H.M.S.
3. RIGHT HAND DOOR SHOWN (RESCUE STOP NON-HANDED).
4. DO NOT SCALE DRAWING.
5. WHEN INSTALLING IN METAL FRAME, REINFORCEMENT IS **NEEDED** WITH THIS PRODUCT. ABH DOES NOT SUPPLY REINFORCEMENT.



www.abhmfg.com
E-mail: abhinfo@abhmfg.com
Architectural Builders Hardware Mfg., Inc.
1222 Ardmore Ave., Itasca, IL 60143
630.875.9900; FAX 800.9FAXABH (932.9224)

©2015 ABH Mfg., Inc.
printed in USA

CR4550

PAGE 1 OF 1
REVISED 05-07-15

CR4550-02.DWG