

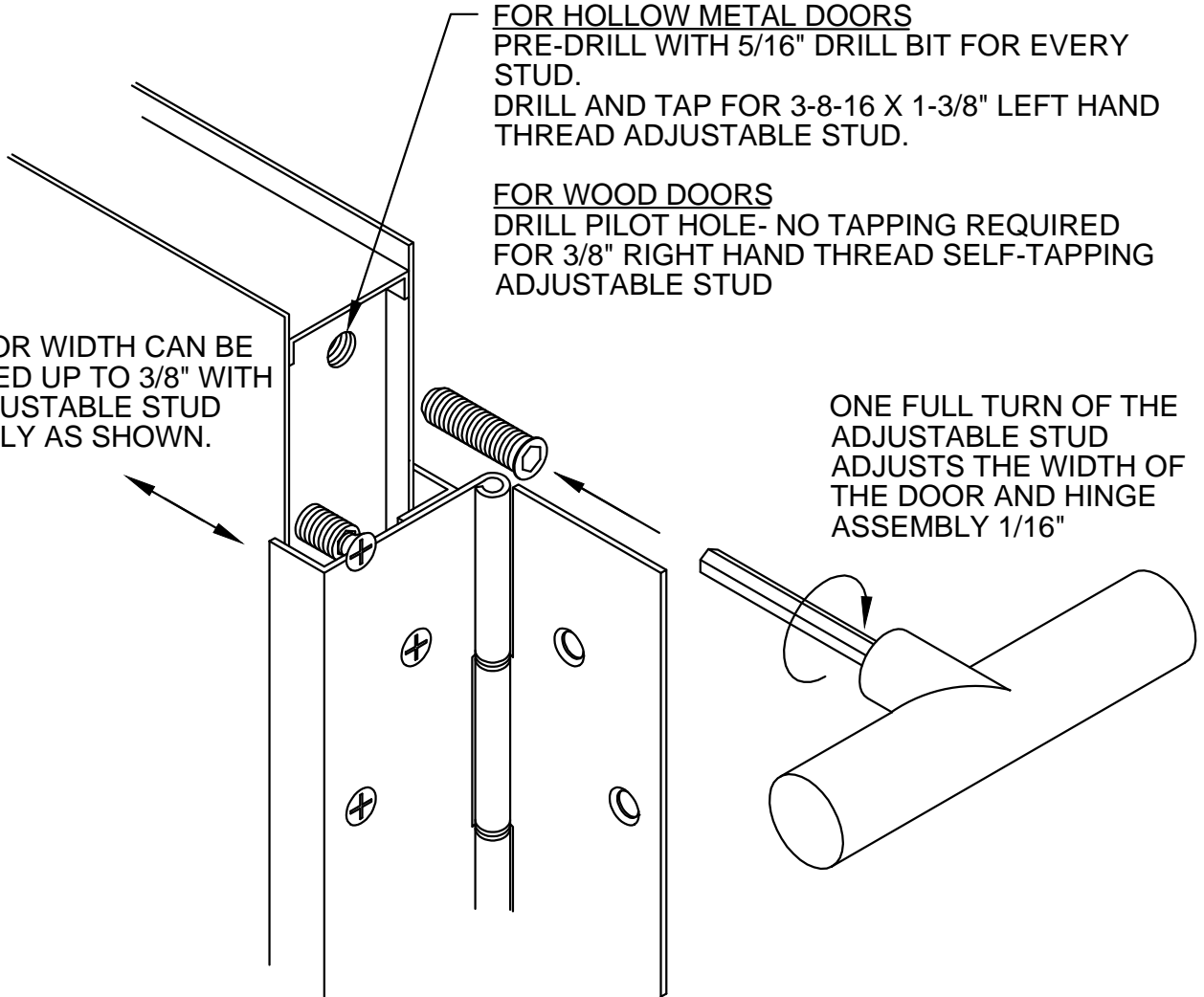
ADJUSTABLE STUD ASSEMBLY

FOR HOLLOW METAL DOORS
 PRE-DRILL WITH 5/16" DRILL BIT FOR EVERY STUD.
 DRILL AND TAP FOR 3-8-16 X 1-3/8" LEFT HAND
 THREAD ADJUSTABLE STUD.

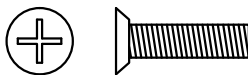
FOR WOOD DOORS
 DRILL PILOT HOLE- NO TAPPING REQUIRED
 FOR 3/8" RIGHT HAND THREAD SELF-TAPPING
 ADJUSTABLE STUD

THE DOOR WIDTH CAN BE
 ADJUSTED UP TO 3/8" WITH
 THE ADJUSTABLE STUD
 ASSEMBLY AS SHOWN.

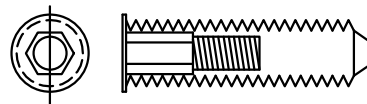
ONE FULL TURN OF THE
 ADJUSTABLE STUD
 ADJUSTS THE WIDTH OF
 THE DOOR AND HINGE
 ASSEMBLY 1/16"



10-32X3/4"
 PHILLIPS FLAT HEAD
 UNDERCUT STAINLESS STEEL
 MACHINE SCREW



ADJUSTABLE FASTENER
 WITH 10-32 INTERNAL THREAD
 AND HEX HEAD ADJUSTMENT



NOTE: YOU MUST PRE-DRILL YOUR DOOR USING A 5/16" BIT FOR EVERY FASTENER.
 PLEASE SEE INSTRUCTION SHEET FOR FULL DETAILS ON PROPER PREP-WORK AND
 INSTALLATION PROCEDURES.

SS HINGE ADJUSTABLE STUD ASSEMBLY-03.DWG



www.abhmfg.com
 E-mail: abhinfo@abhmfg.com
 Architectural Builders Hardware Mfg., Inc.
 1222 Ardmore Ave., Itasca, IL 60143
 630.875.9900; FAX 800.9FAXABH (932.9224)

STAINLESS STEEL HINGE
 ADJUSTABLE STUD ASSEMBLY

©2016 ABH Mfg., Inc.
 printed in USA

REVISED 10-20-16