

# UNIVERSAL ADJUSTABLE STUD ASSEMBLY

## FOR HOLLOW METAL DOORS

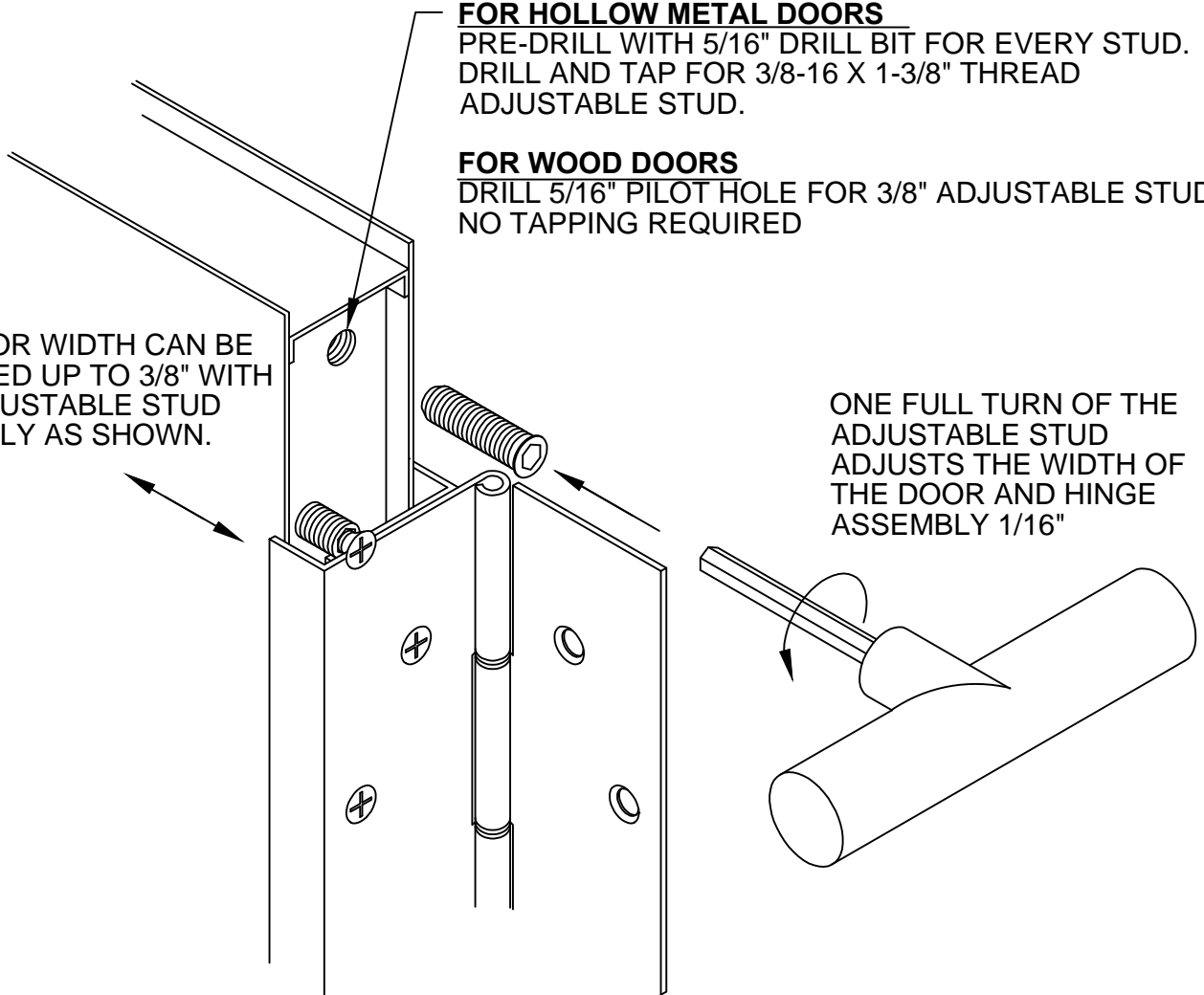
PRE-DRILL WITH 5/16" DRILL BIT FOR EVERY STUD.  
DRILL AND TAP FOR 3/8-16 X 1-3/8" THREAD  
ADJUSTABLE STUD.

## FOR WOOD DOORS

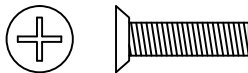
DRILL 5/16" PILOT HOLE FOR 3/8" ADJUSTABLE STUD  
NO TAPPING REQUIRED

THE DOOR WIDTH CAN BE  
ADJUSTED UP TO 3/8" WITH  
THE ADJUSTABLE STUD  
ASSEMBLY AS SHOWN.

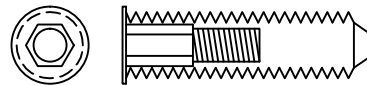
ONE FULL TURN OF THE  
ADJUSTABLE STUD  
ADJUSTS THE WIDTH OF  
THE DOOR AND HINGE  
ASSEMBLY 1/16"



10-32X3/4"  
PHILLIPS FLAT HEAD  
UNDERCUT STAINLESS STEEL  
MACHINE SCREW



ADJUSTABLE FASTENER  
WITH 10-32 INTERNAL THREAD  
AND HEX HEAD ADJUSTMENT



### NOTE:

- IF USING AN ADJUSTABLE HINGE GUARD WITH ADJUSTABLE STUD, USE 14 GAUGE REINFORCEMENTS ON FRAME AND 12 GAUGE REINFORCEMENTS ON DOOR.

SS HINGE ADJUSTABLE STUD ASSEMBLY-04.DWG

**ABH**  
MANUFACTURING INC.

www.abhmfg.com  
E-mail: abhinfo@abhmfg.com  
Architectural Builders Hardware Mfg., Inc.  
1222 Ardmore Ave., Itasca, IL 60143  
630.875.9900; FAX 800.9FAXABH (932.9224)

STAINLESS STEEL HINGE  
ADJUSTABLE STUD ASSEMBLY

© 2018 ABH Mfg., Inc.  
printed in USA

REVISED 12-10-18